

# UC-19P1N12Q0D2 - Rear panel feed-through



1612775

<https://www.phoenixcontact.com/us/products/1612775>

Please be informed that the data shown in this PDF document is generated from our online catalog. Please find the complete data in the user documentation. Our general terms of use for downloads are valid.



The figure shows the 12-pos.  
product version

M23, Rear panel feed-through, application: Signal, series: UC, straight, shielded: yes, Screw locking mechanism, No. of pos.: 16+3, Direction of rotation: Standard, contact connection type: Pin, Solder cup, Axial O-ring, cable diameter range: 2 mm ... 14.5 mm, coding: N

## Commercial data

Item number	1612775
Packing unit	10 pc
Minimum order quantity	1 pc
Note	Made to order (non-returnable)
Product key	ABRAIJ
GTIN	4046356270267
Weight per piece (including packing)	114.01 g
Weight per piece (excluding packing)	114.01 g
Country of origin	DE

# UC-19P1N12Q0D2 - Rear panel feed-through



1612775

<https://www.phoenixcontact.com/us/products/1612775>

## Technical data

### Product properties

Product type	Circular connector (cable-side)
--------------	---------------------------------

### Material specifications

Housing material	Metal
------------------	-------

### Connector

#### Insulating body

Coding	N
Material (Insulating body)	PA 6.6
Material (Contact)	CuZn
Material (Contact surface)	Ni/Au
Insertion/withdrawal cycles	100
Connection method	Solder cup
Contact switching type	Pin
Application	Signal
Number of positions	19
Direction of rotation	Standard
Connection profile	16+3
Number (Contact group 1)	3
Contact diameter (Contact group 1)	1.5 mm
Litz wires Min. cross section (Contact group 1)	0.08 mm <sup>2</sup>
Litz wires Max. cross section (Contact group 1)	1 mm <sup>2</sup>
Rated current Contact (Contact group 1)	10 A (for max. connection cross section)
Rated voltage Contact (Contact group 1)	48 V AC 74 V DC
Rated surge voltage	1.5 kV
Overvoltage category	III
Degree of pollution	3
Number (Contact group 2)	16
Contact diameter (Contact group 2)	1 mm
Litz wires Max. cross section (Contact group 2)	1 mm <sup>2</sup>
Rated current Contact (Contact group 2)	8 A

#### Housing

Type	Feed-through header
Thread type	M23
Design	straight
Type of locking	Screw locking mechanism
Pg screw connection	none
Mounting type	Rear mounting

# UC-19P1N12Q0D2 - Rear panel feed-through



1612775

<https://www.phoenixcontact.com/us/products/1612775>

Assembly note	Central fastening
Material (Housing)	GD-Zn
Material (Rotating parts)	CuZn
Material (Housing surface)	Ni
Material (Seal)	FPM (O-ring)
Degree of protection (plugged in)	IP67
Seal for the device	Axial O-ring

## Seal

External cable diameter	2 mm ... 14.5 mm
Seal material	FPM

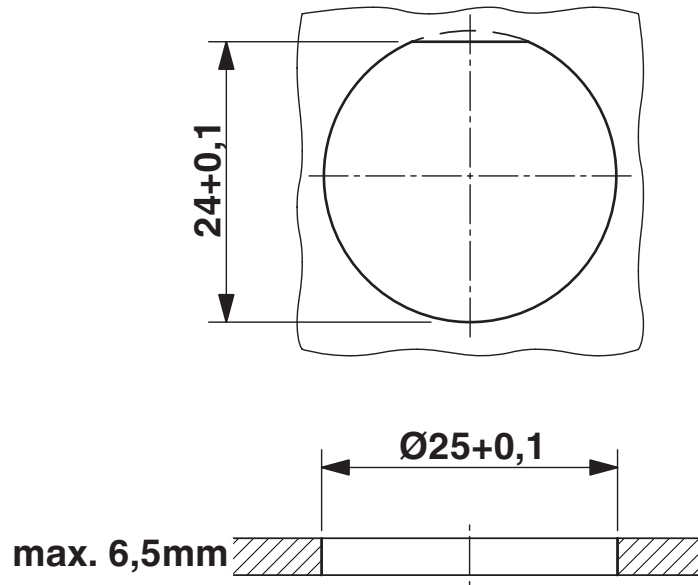
# UC-19P1N12Q0D2 - Rear panel feed-through

1612775

<https://www.phoenixcontact.com/us/products/1612775>

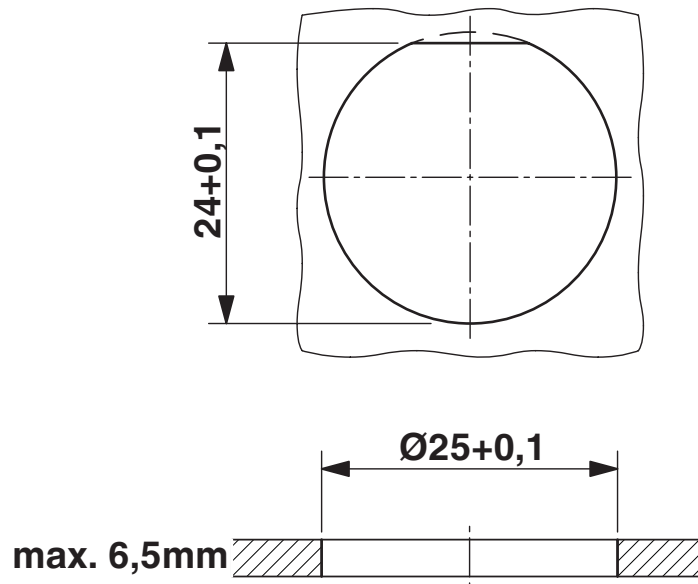
## Drawings

Dimensional drawing



Installation dimensions

Dimensional drawing



Installation dimensions

# UC-19P1N12Q0D2 - Rear panel feed-through



1612775

<https://www.phoenixcontact.com/us/products/1612775>

Schematic diagram



Connector pin assignment

# UC-19P1N12Q0D2 - Rear panel feed-through



1612775

<https://www.phoenixcontact.com/us/products/1612775>

Schematic diagram



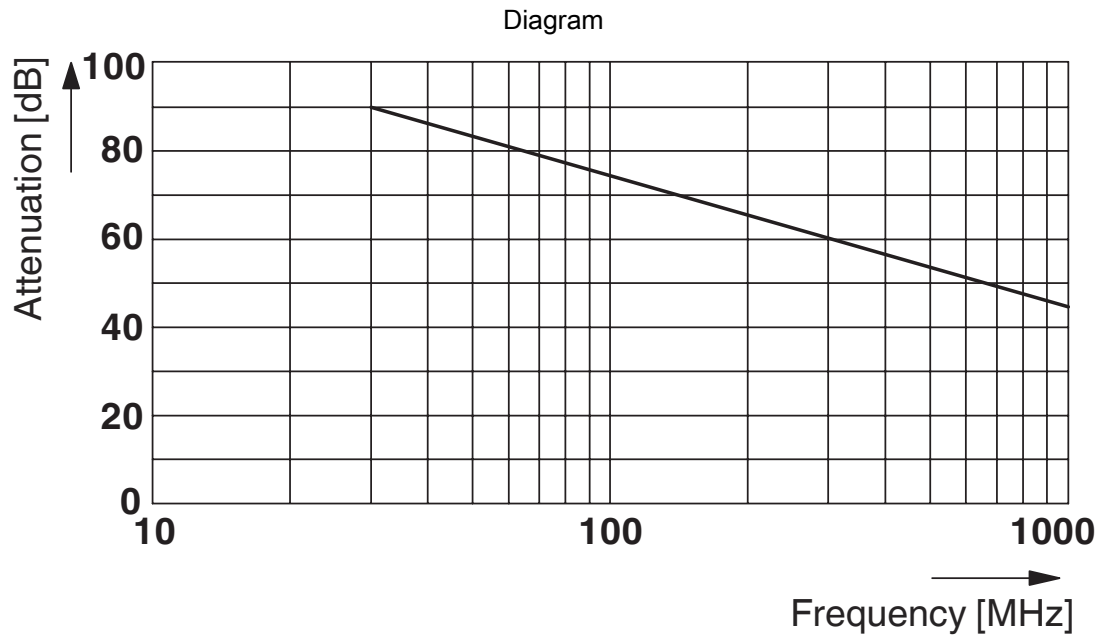
Dimensional drawing

# UC-19P1N12Q0D2 - Rear panel feed-through



1612775

<https://www.phoenixcontact.com/us/products/1612775>



Phoenix Contact 2026 © - all rights reserved  
<https://www.phoenixcontact.com>

Phoenix Contact USA  
586 Fulling Mill Road  
Middletown, PA 17057, United States  
(+717) 944-1300  
[info@phoenixcon.com](mailto:info@phoenixcon.com)