

# UC-12P1N8AQ0DU - Rear panel feed-through



1612681

<https://www.phoenixcontact.com/us/products/1612681>

Please be informed that the data shown in this PDF document is generated from our online catalog. Please find the complete data in the user documentation. Our general terms of use for downloads are valid.



M23, Rear panel feed-through, application: Signal, series: UC, straight, shielded: yes, Screw locking mechanism, No. of pos.: 12, Direction of rotation: Standard, contact connection type: Pin, Crimp connection, Axial O-ring, cable diameter range: 2 mm ... 14.5 mm, coding: N

## Commercial data

Item number	1612681
Packing unit	12 pc
Minimum order quantity	1 pc
Note	Made to order (non-returnable)
Product key	ABRAIJ
GTIN	4046356396677
Weight per piece (including packing)	109.51 g
Weight per piece (excluding packing)	109.51 g
Country of origin	DE

# UC-12P1N8AQ0DU - Rear panel feed-through



1612681

<https://www.phoenixcontact.com/us/products/1612681>

## Technical data

### Product properties

Product type	Circular connector (cable-side)
--------------	---------------------------------

### Connector

#### Insulating body

Note	Order information: Order crimp contacts Ø 1 mm separately
Coding	N
Material (Insulating body)	PA 6.6
Connection method	Crimp connection
Contact switching type	Pin
Application	Signal
Number of positions	12
Direction of rotation	Standard
Connection profile	12
Number (Contact group 1)	12
Contact diameter (Contact group 1)	1 mm
Rated current Contact (Contact group 1)	8 A (for max. connection cross section)
Rated voltage Contact (Contact group 1)	48 V AC 74 V DC
Rated surge voltage	1.5 kV
Overvoltage category	III
Degree of pollution	3

#### Housing

Type	Feed-through header
Thread type	M23
Design	straight
Type of locking	Screw locking mechanism
Pg screw connection	none
Mounting type	Rear mounting
Assembly note	Central fastening
Material (Housing)	GD-Zn
Material (Rotating parts)	CuZn
Material (Housing surface)	Ni
Material (Seal)	FPM (O-ring)
Degree of protection (plugged in)	IP67
Seal for the device	Axial O-ring

#### Seal

External cable diameter	2 mm ... 14.5 mm
Seal material	NBR

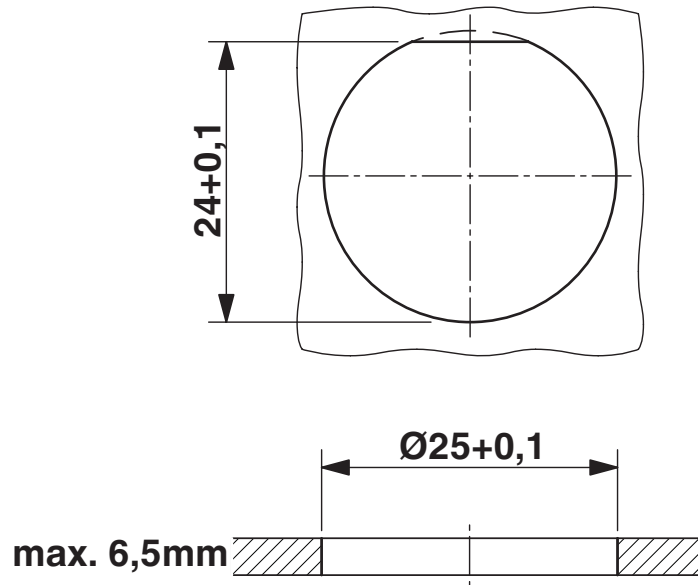
# UC-12P1N8AQ0DU - Rear panel feed-through

1612681

<https://www.phoenixcontact.com/us/products/1612681>

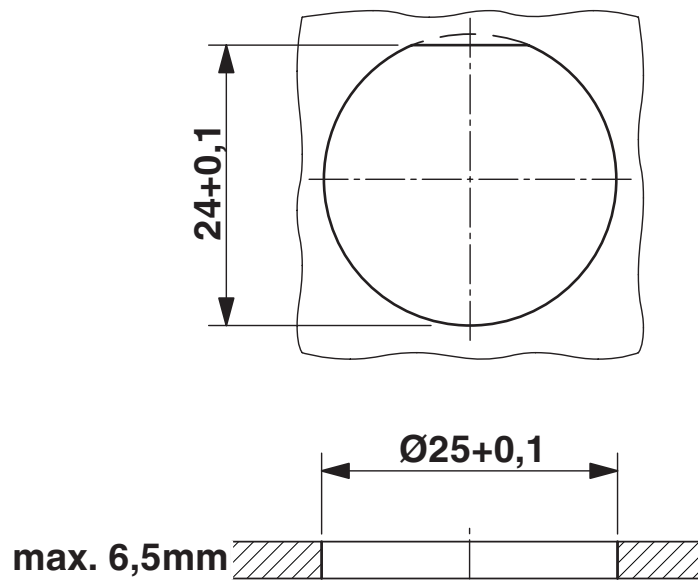
## Drawings

Dimensional drawing



Installation dimensions

Dimensional drawing



Installation dimensions

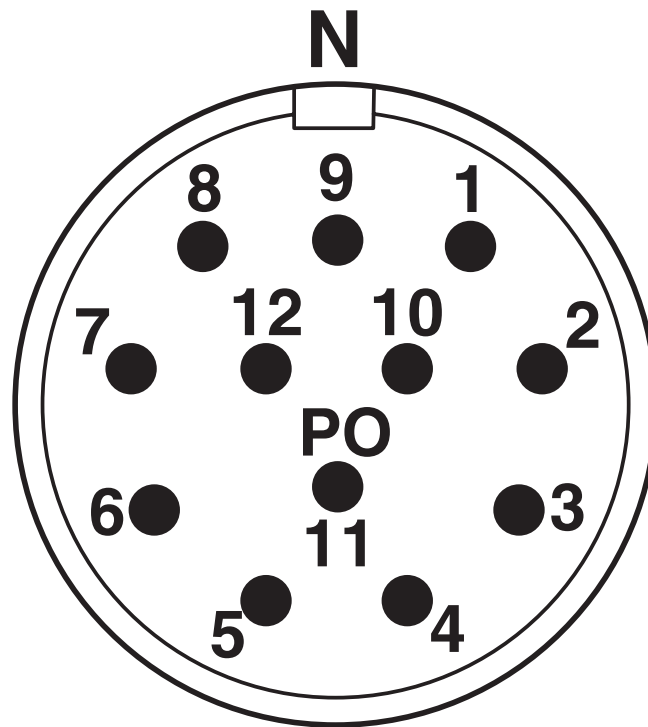
# UC-12P1N8AQ0DU - Rear panel feed-through



1612681

<https://www.phoenixcontact.com/us/products/1612681>

Schematic diagram



Connector pin assignment

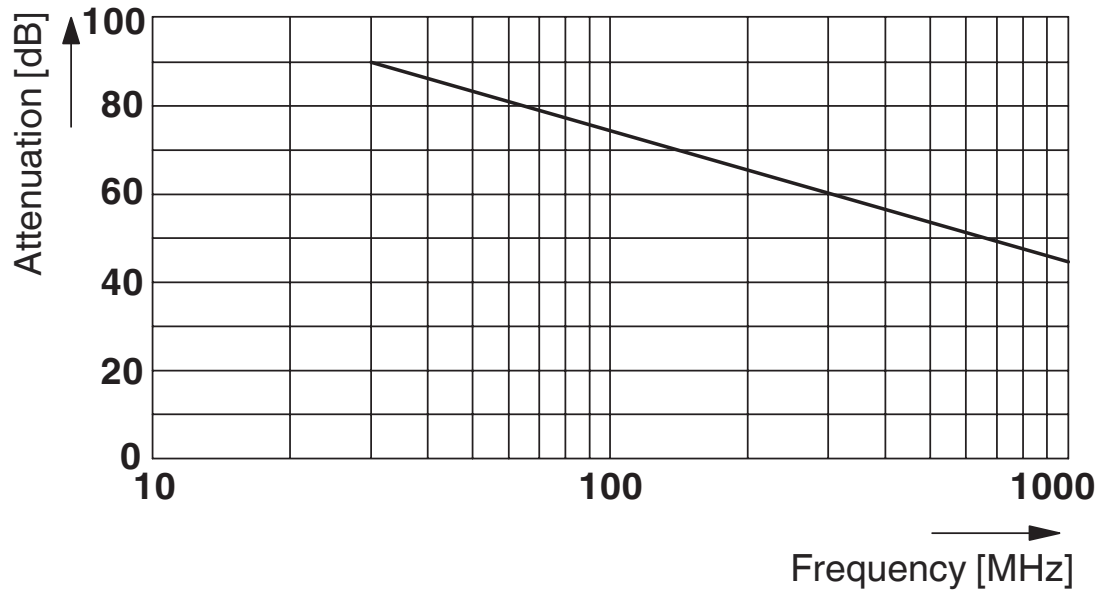
# UC-12P1N8AQ0DU - Rear panel feed-through



1612681

<https://www.phoenixcontact.com/us/products/1612681>

Diagram



# UC-12P1N8AQ0DU - Rear panel feed-through



1612681

<https://www.phoenixcontact.com/us/products/1612681>

## Classifications

### UNSPSC

UNSPSC 21.0	39121409
-------------	----------

# UC-12P1N8AQ0DU - Rear panel feed-through



1612681

<https://www.phoenixcontact.com/us/products/1612681>

## Environmental product compliance

### EU RoHS

Fulfills EU RoHS substance requirements	Yes
Exemption	6(c)

### China RoHS

Environment friendly use period (EFUP)	EFUP-50
	An article-related China RoHS declaration table can be found in the download area for the respective article under "Manufacturer declaration". For all articles with EFUP-E, no China RoHS declaration table issued and required.

### EU REACH SVHC

REACH candidate substance (CAS No.)	No substance above 0.1 wt%
-------------------------------------	----------------------------

Phoenix Contact 2026 © - all rights reserved  
<https://www.phoenixcontact.com>

Phoenix Contact USA  
586 Fulling Mill Road  
Middletown, PA 17057, United States  
(+717) 944-1300  
[info@phoenixcon.com](mailto:info@phoenixcon.com)