

TU-16S1NC2430T - Device connector rear mounting



1612605

<https://www.phoenixcontact.com/us/products/1612605>

Please be informed that the data shown in this PDF document is generated from our online catalog. Please find the complete data in the user documentation. Our general terms of use for downloads are valid.



M23, Device connector rear mounting, series: TU, straight, shielded: yes, Bayonet locking, Radial O-ring, 4xM3

Commercial data

Item number	1612605
Packing unit	20 pc
Minimum order quantity	1 pc
Note	Made to order (non-returnable)
Product key	ABRAHR
GTIN	4046356269728
Weight per piece (including packing)	50.13 g
Weight per piece (excluding packing)	50.13 g
Country of origin	DE

TU-16S1NC2430T - Device connector rear mounting



1612605

<https://www.phoenixcontact.com/us/products/1612605>

Technical data

Product properties

Product type	Circular connector (cable-side)
--------------	---------------------------------

Connector

Housing

Order information:	Order contact inserts separately
Thread type	M23
Design	straight
Type of locking	Bayonet locking
Pg screw connection	none
Housing material	Metal
Degree of protection (plugged in)	IP67
Seal for the device	Radial O-ring

TU-16S1NC2430T - Device connector rear mounting

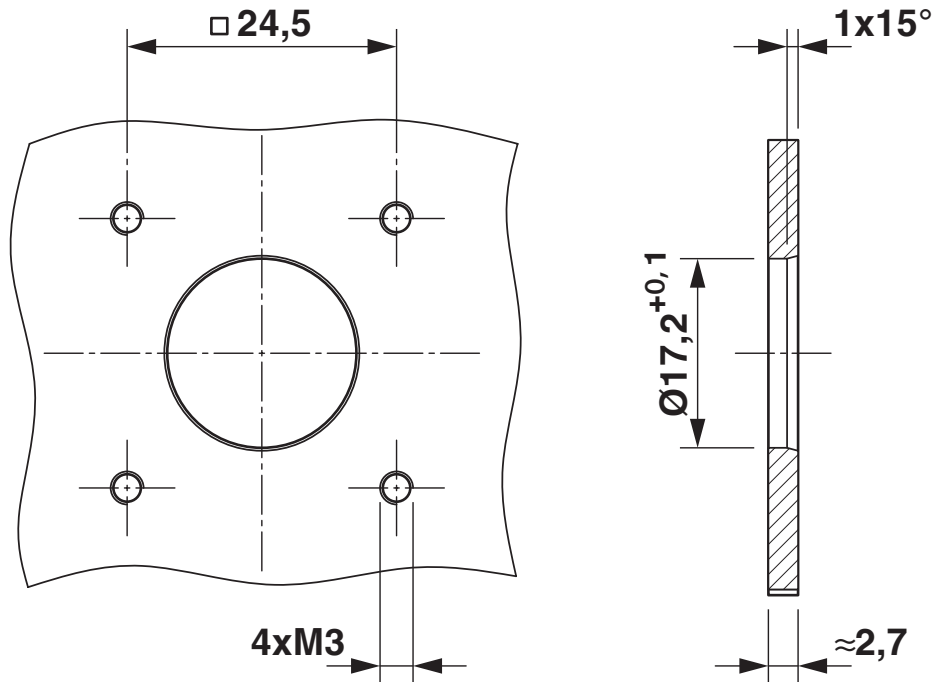


1612605

<https://www.phoenixcontact.com/us/products/1612605>

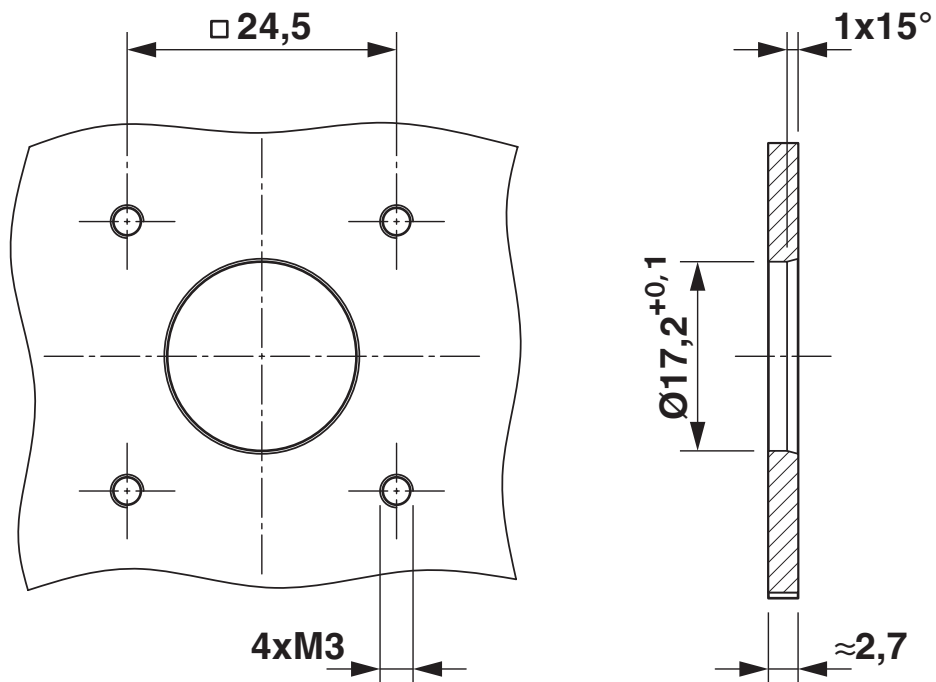
Drawings

Dimensional drawing



Installation dimensions

Dimensional drawing



Installation dimensions

TU-16S1NC2430T - Device connector rear mounting



1612605

<https://www.phoenixcontact.com/us/products/1612605>

Environmental product compliance

China RoHS

Environment friendly use period (EFUP)	EFUP-50
	An article-related China RoHS declaration table can be found in the download area for the respective article under "Manufacturer declaration". For all articles with EFUP-E, no China RoHS declaration table issued and required.

EU REACH SVHC

REACH candidate substance (CAS No.)	No substance above 0.1 wt%
-------------------------------------	----------------------------

Phoenix Contact 2026 © - all rights reserved
<https://www.phoenixcontact.com>

Phoenix Contact USA
586 Fulling Mill Road
Middletown, PA 17057, United States
(+717) 944-1300
info@phoenixcon.com