

# TU-09P1NC24300 - Device connector rear mounting



1612566

<https://www.phoenixcontact.com/us/products/1612566>

Please be informed that the data shown in this PDF document is generated from our online catalog. Please find the complete data in the user documentation. Our general terms of use for downloads are valid.



M23, Device connector rear mounting, application: Signal, series: TU, straight, shielded: yes, Bayonet locking, No. of pos.: 8+1, Direction of rotation: Standard, contact connection type: Pin, Solder-in connection, Radial O-ring, 4xM3, coding: N

## Commercial data

Item number	1612566
Packing unit	10 pc
Minimum order quantity	1 pc
Note	Made to order (non-returnable)
Product key	ABRAHR
GTIN	4046356396332
Weight per piece (including packing)	49.61 g
Weight per piece (excluding packing)	49.61 g
Country of origin	DE

1612566

<https://www.phoenixcontact.com/us/products/1612566>

## Technical data

### Product properties

Product type	Circular connector (cable-side)
--------------	---------------------------------

### Connector

#### Insulating body

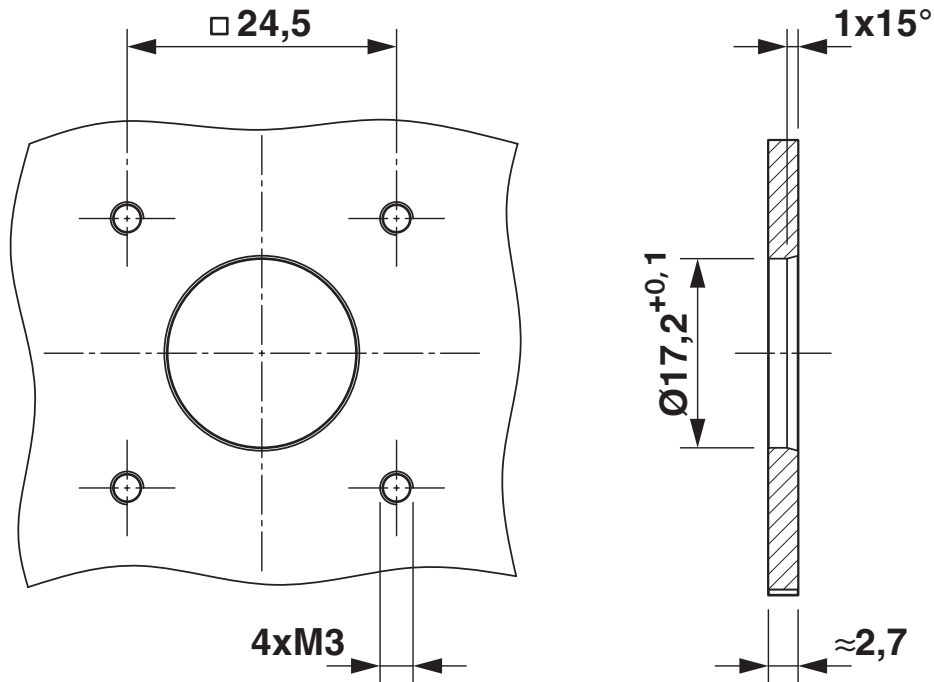
Coding	N
Material (Insulating body)	PBT
Material (Contact)	CuZn
Material (Contact surface)	Ni/Au
Insertion/withdrawal cycles	50
Connection method	Solder-in connection
Contact switching type	Pin
Application	Signal
Number of positions	9
Direction of rotation	Standard
Connection profile	8+1
Number (Contact group 1)	1
Contact diameter (Contact group 1)	2 mm
Rated current Contact (Contact group 1)	20 A (for max. connection cross section)
Rated voltage Contact (Contact group 1)	48 V AC 74 V DC
Rated surge voltage	1.5 kV
Overvoltage category	III
Degree of pollution	3
Number (Contact group 2)	8
Contact diameter (Contact group 2)	1 mm
Rated current Contact (Contact group 2)	8 A
Rated voltage Contact (Contact group 2)	48 V AC 48 V AC

#### Housing

Order information:	Order contact inserts separately
Thread type	M23
Design	straight
Type of locking	Bayonet locking
Pg screw connection	none
Housing material	Metal
Degree of protection (plugged in)	IP67
Seal for the device	Radial O-ring

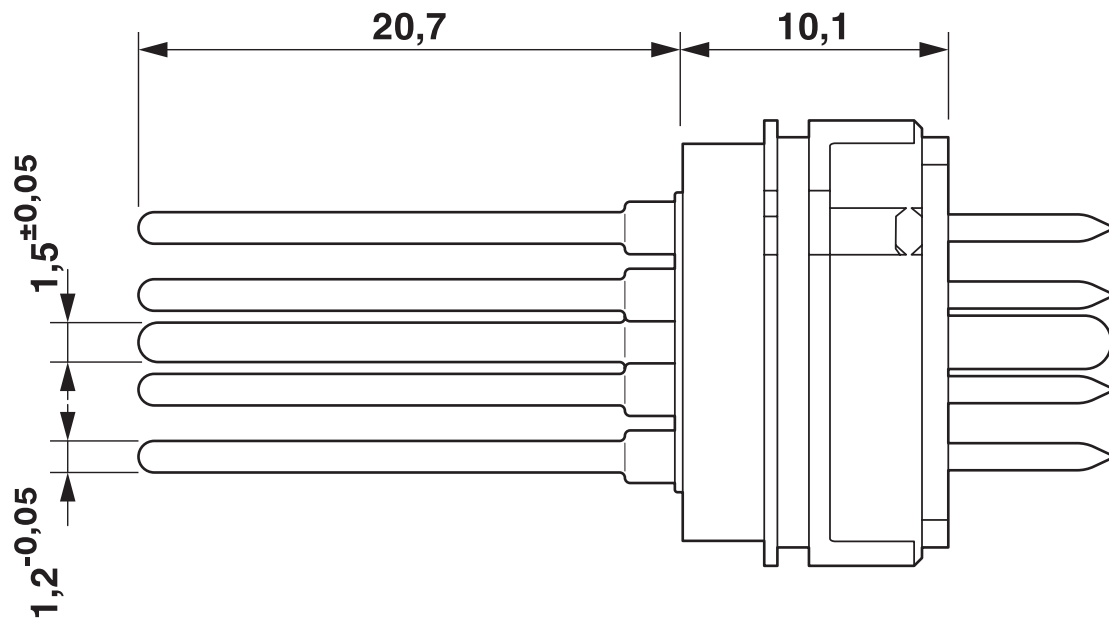
Drawings

Dimensional drawing



Installation dimensions

Dimensional drawing



Dimensional drawing

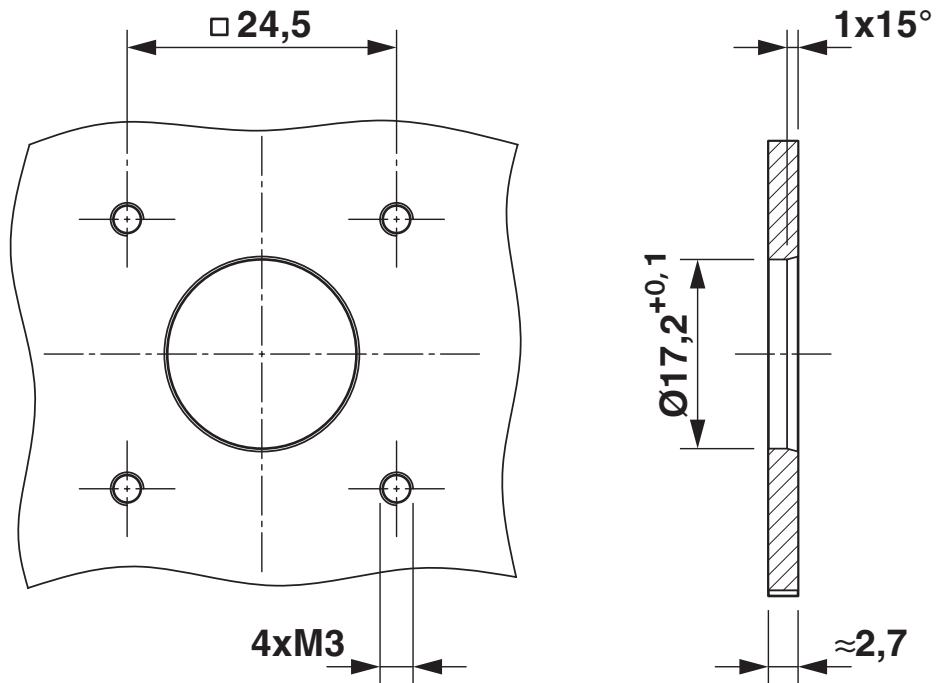
# TU-09P1NC24300 - Device connector rear mounting



1612566

<https://www.phoenixcontact.com/us/products/1612566>

Dimensional drawing



Installation dimensions

Schematic diagram

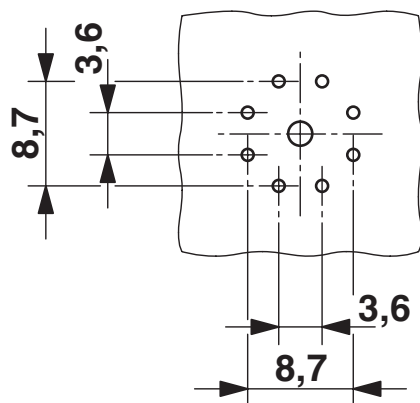


Connector pin assignment

1612566

<https://www.phoenixcontact.com/us/products/1612566>

## Drilling plan/solder pad geometry



1612566

<https://www.phoenixcontact.com/us/products/1612566>

## Environmental product compliance

### China RoHS

Environment friendly use period (EFUP)	EFUP-50
	An article-related China RoHS declaration table can be found in the download area for the respective article under "Manufacturer declaration". For all articles with EFUP-E, no China RoHS declaration table issued and required.

### EU REACH SVHC

REACH candidate substance (CAS No.)	No substance above 0.1 wt%
-------------------------------------	----------------------------

Phoenix Contact 2026 © - all rights reserved  
<https://www.phoenixcontact.com>

Phoenix Contact USA  
586 Fulling Mill Road  
Middletown, PA 17057, United States  
(+717) 944-1300  
[info@phoenixcon.com](mailto:info@phoenixcon.com)