

# TU-000000082NN - Sleeve housing for cable connector



1612532

<https://www.phoenixcontact.com/us/products/1612532>

Please be informed that the data shown in this PDF document is generated from our online catalog. Please find the complete data in the user documentation. Our general terms of use for downloads are valid.

Sleeve housing for cable connector, series: TU, straight, Bayonet locking, M23, shielded: yes



## Commercial data

Item number	1612532
Packing unit	12 pc
Minimum order quantity	1 pc
Note	Made to order (non-returnable)
Product key	ABRAHE
GTIN	4046356675802
Weight per piece (including packing)	146.3 g
Weight per piece (excluding packing)	146.3 g
Country of origin	DE

# TU-000000082NN - Sleeve housing for cable connector



1612532

<https://www.phoenixcontact.com/us/products/1612532>

## Technical data

### Product properties

Product type	Sleeve housings
Series	TU
Application	Signal
Shielded	yes
Thread type	M23

### Material specifications

Housing material	Metal
------------------	-------

### Connector

Type	straight
------	----------

### Environmental and real-life conditions

#### Ambient conditions

Degree of protection	IP67
Ambient temperature (operation)	-20 °C ... 125 °C
Altitude	2000 m

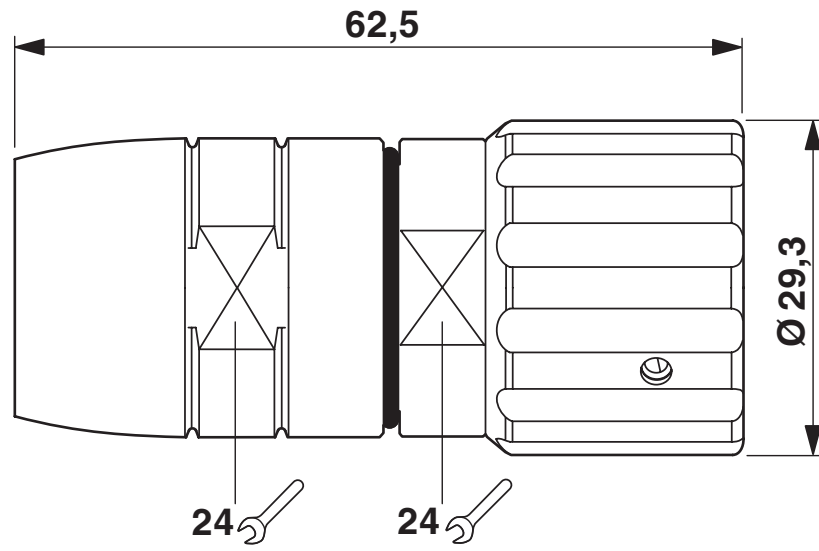
# TU-000000082NN - Sleeve housing for cable connector

1612532

<https://www.phoenixcontact.com/us/products/1612532>

## Drawings

Dimensional drawing



# TU-000000082NN - Sleeve housing for cable connector



1612532

<https://www.phoenixcontact.com/us/products/1612532>

## Environmental product compliance

### China RoHS

Environment friendly use period (EFUP)	EFUP-50 An article-related China RoHS declaration table can be found in the download area for the respective article under "Manufacturer declaration". For all articles with EFUP-E, no China RoHS declaration table issued and required.
--	--

### EU REACH SVHC

REACH candidate substance (CAS No.)	No substance above 0.1 wt%
-------------------------------------	----------------------------

Phoenix Contact 2026 © - all rights reserved  
<https://www.phoenixcontact.com>

Phoenix Contact USA  
586 Fulling Mill Road  
Middletown, PA 17057, United States  
(+717) 944-1300  
[info@phoenixcon.com](mailto:info@phoenixcon.com)