

RC-1RP1NT242TJ - Device connector rear mounting



1611578

<https://www.phoenixcontact.com/us/products/1611578>

Please be informed that the data shown in this PDF document is generated from our online catalog. Please find the complete data in the user documentation. Our general terms of use for downloads are valid.



M23, Device connector rear mounting, application: Signal, series: RC, straight, shielded: yes, Screw locking mechanism, Direction of rotation: Standard, contact connection type: Pin, Solder-in connection, Radial O-ring, Panel thickness min.: 2.7 mm, Panel thickness max.: 3.5 mm, coding: N. This product is in the process of being discontinued. This product must no longer be considered for new projects. Please contact your sales representative for alternatives.

The figure shows the 12-pos.
product version

Commercial data

Item number	1611578
Packing unit	20 pc
Minimum order quantity	1 pc
Note	Made to order (non-returnable)
Sales key	AB31
Product key	ABRAFR
GTIN	4046356394673
Weight per piece (including packing)	40.76 g
Weight per piece (excluding packing)	35.619 g
Customs tariff number	85366990
Country of origin	DE

RC-1RP1NT242TJ - Device connector rear mounting



1611578

<https://www.phoenixcontact.com/us/products/1611578>

Technical data

Product properties

Product type	Circular connectors (device side)
--------------	-----------------------------------

Connector

Insulating body

Coding	N
Connection method	Solder-in connection
Contact switching type	Pin
Application	Signal
Number of positions	19
Direction of rotation	Standard

Housing

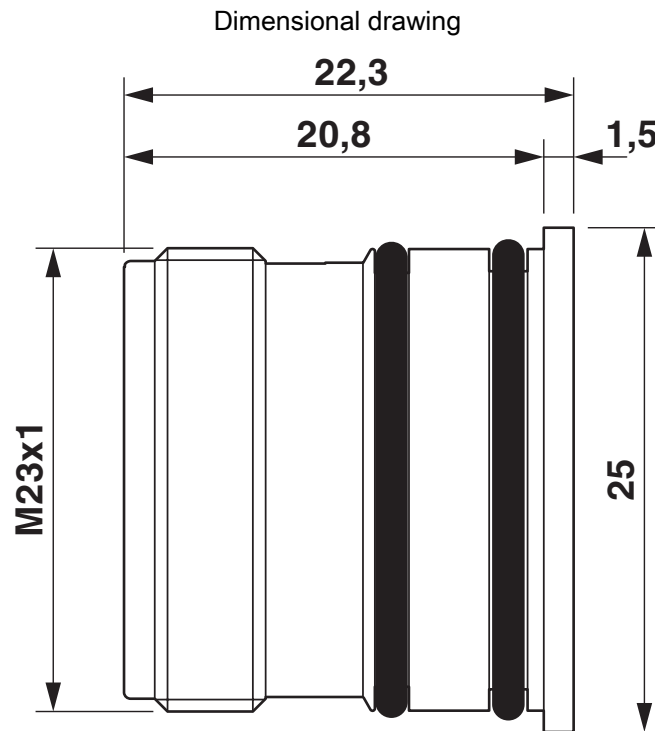
Type	Flange housing
Thread type	M23
Design	straight
Type of locking	Screw locking mechanism
Pg screw connection	none
Mounting type	Rear mounting/square flange (4x M2,5)
Material (Housing)	GD-Zn
Material (Housing surface)	Ni
Material (Rotating parts)	CuZn
Degree of protection (plugged in)	IP67
Seal for the device	Radial O-ring

RC-1RP1NT242TJ - Device connector rear mounting

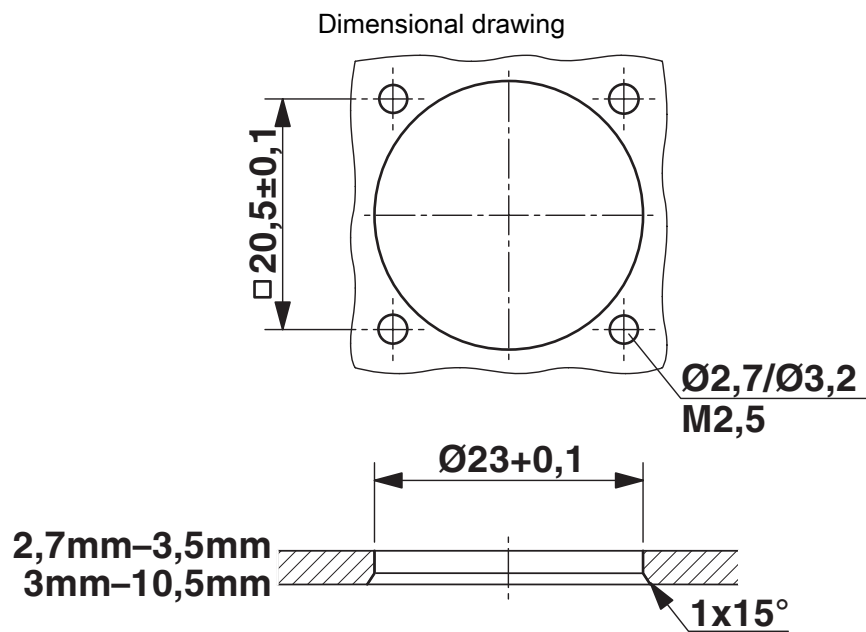
1611578

<https://www.phoenixcontact.com/us/products/1611578>

Drawings



Dimensional drawing



Installation dimensions

RC-1RP1NT242TJ - Device connector rear mounting



1611578

<https://www.phoenixcontact.com/us/products/1611578>

Classifications

ECLASS

ECLASS-13.0	27440109
ECLASS-15.0	27440109

ETIM

ETIM 10.0	EC003569
-----------	----------

UNSPSC

UNSPSC 21.0	39121400
-------------	----------

1611578

<https://www.phoenixcontact.com/us/products/1611578>

Environmental product compliance

EU RoHS

Fulfills EU RoHS substance requirements	Yes
Exemption	6(c)

China RoHS

Environment friendly use period (EFUP)	EFUP-50
	An article-related China RoHS declaration table can be found in the download area for the respective article under "Manufacturer declaration". For all articles with EFUP-E, no China RoHS declaration table issued and required.

EU REACH SVHC

REACH candidate substance (CAS No.)	Lead(CAS: 7439-92-1)
SCIP	355f397b-2627-489f-aa53-d53a55d3cfca

Phoenix Contact 2026 © - all rights reserved

<https://www.phoenixcontact.com>

Phoenix Contact USA
586 Fulling Mill Road
Middletown, PA 17057, United States
(+717) 944-1300
info@phoenixcon.com