

RC-1RP1NRA4300 - Device connector rear mounting



1611559

<https://www.phoenixcontact.com/us/products/1611559>

Please be informed that the data shown in this PDF document is generated from our online catalog. Please find the complete data in the user documentation. Our general terms of use for downloads are valid.



The figure shows the 12-pos.
product version

M23, Device connector rear mounting, application: Signal, series: RC, straight, Screw locking mechanism, No. of pos.: 16+2+FE, Direction of rotation: Standard, contact connection type: Pin, Crimp connection, Radial O-ring, Panel thickness min.: 2.7 mm, Panel thickness max.: 3.5 mm, coding: N

Commercial data

Item number	1611559
Packing unit	40 pc
Minimum order quantity	1 pc
Note	Made to order (non-returnable)
Product key	ABRAFR
GTIN	4046356277884
Weight per piece (including packing)	27.55 g
Weight per piece (excluding packing)	27.55 g
Country of origin	DE

Technical data

Notes

Order information:	Order crimp contacts 16 x Ø 1 mm, 2 x Ø 1.5 mm, 1 x Ø 1.5 (PE) separately
--------------------	---

Product properties

Product type	Circular connectors (device side)
--------------	-----------------------------------

Connector

Insulating body

Note	Order information: Order crimp contacts 16 x Ø 1 mm, 2 x Ø 1.5 mm, 1 x Ø 1.5 (PE) separately
Coding	N
Material (Insulating body)	PA 6.6
Connection method	Crimp connection
Contact switching type	Pin
Application	Signal
Number of positions	19
Direction of rotation	Standard
Connection profile	16+2+FE
Number (Contact group 1)	3
Contact diameter (Contact group 1)	1.5 mm
Rated current Contact (Contact group 1)	10 A (for max. connection cross section)
Rated voltage Contact (Contact group 1)	48 V AC
	74 V DC
Rated surge voltage	1.5 kV
Overvoltage category	III
Degree of pollution	3
Number (Contact group 2)	16
Contact diameter (Contact group 2)	1 mm
Rated current Contact (Contact group 2)	8 A
Rated voltage Contact (Contact group 2)	48 V AC
	48 V AC

Housing

Type	Flange housing
Thread type	M23
Design	straight
Type of locking	Screw locking mechanism
Pg screw connection	none
Mounting type	Rear mounting/square flange (4x M3)
Material (Housing)	Metal
Degree of protection (plugged in)	IP67

RC-1RP1NRA4300 - Device connector rear mounting



1611559

<https://www.phoenixcontact.com/us/products/1611559>

Seal for the device

Radial O-ring

RC-1RP1NRA4300 - Device connector rear mounting

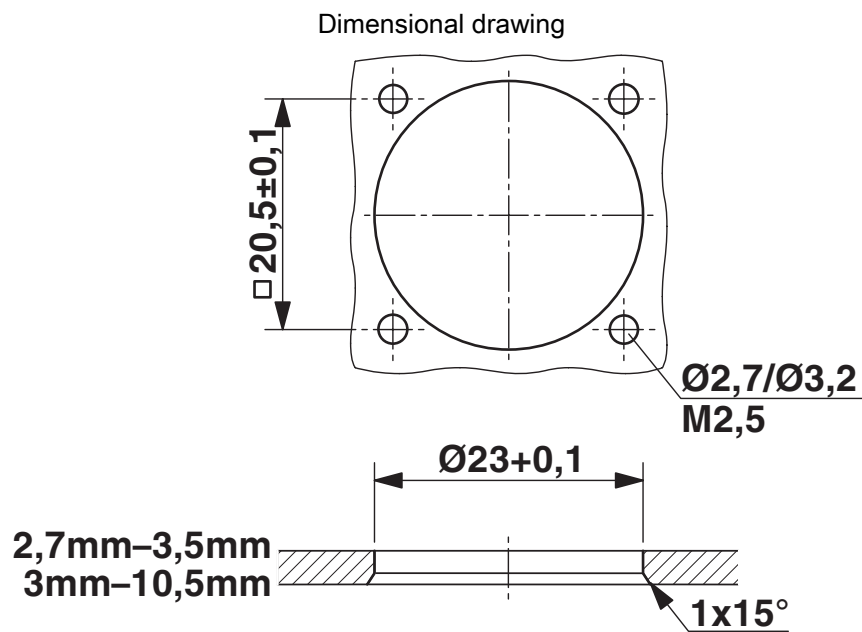
1611559

<https://www.phoenixcontact.com/us/products/1611559>

Drawings



Dimensional drawing

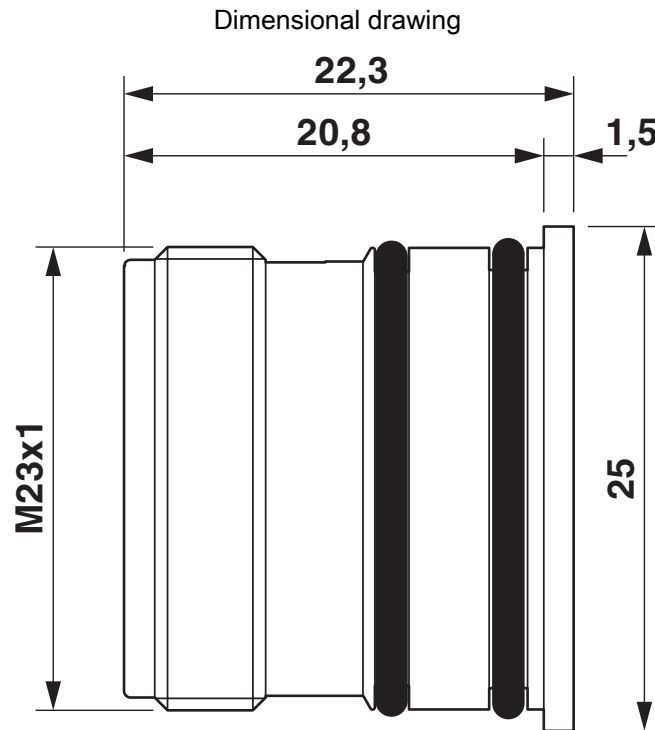


Installation dimensions

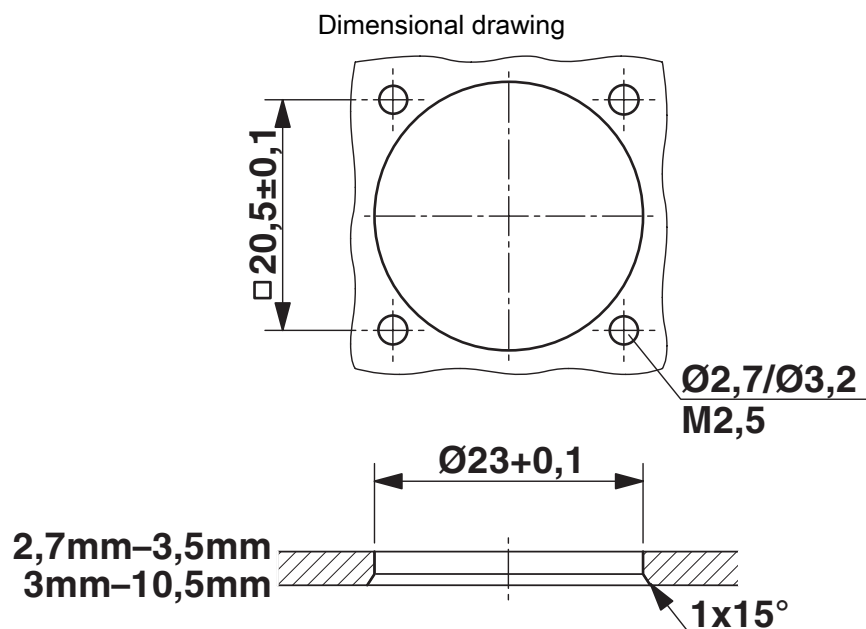
RC-1RP1NRA4300 - Device connector rear mounting

1611559

<https://www.phoenixcontact.com/us/products/1611559>



Dimensional drawing



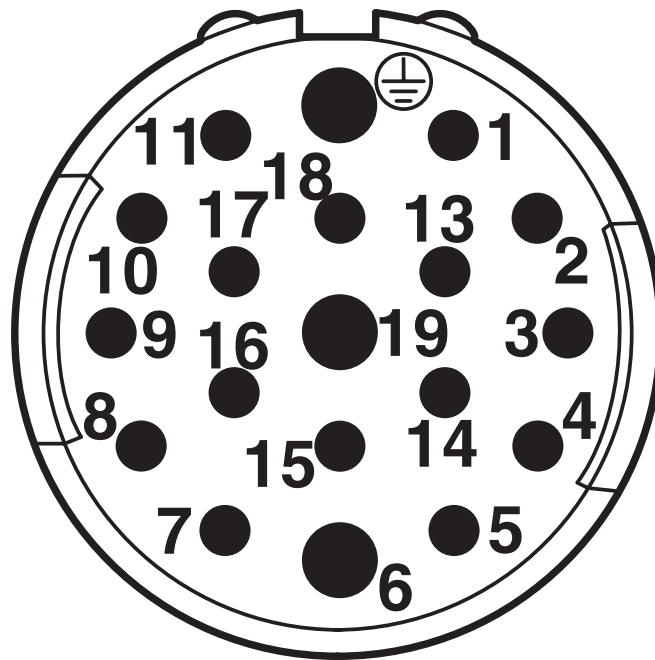
Installation dimensions

RC-1RP1NRA4300 - Device connector rear mounting

1611559

<https://www.phoenixcontact.com/us/products/1611559>

Schematic diagram



Connector pin assignment

Phoenix Contact 2026 © - all rights reserved
<https://www.phoenixcontact.com>

Phoenix Contact USA
586 Fulling Mill Road
Middletown, PA 17057, United States
(+717) 944-1300
info@phoenixcon.com