

RC-19P1NX2H0QF - Device connector rear mounting



1611472

<https://www.phoenixcontact.com/us/products/1611472>

Please be informed that the data shown in this PDF document is generated from our online catalog. Please find the complete data in the user documentation. Our general terms of use for downloads are valid.



M23, Device connector rear mounting, series: RC, straight, shielded: yes, Screw locking mechanism, Axial O-ring, Panel thickness min.: 0.8 mm, Panel thickness max.: 6.5 mm

The figure shows the 12-pos.
product version

Commercial data

Item number	1611472
Packing unit	20 pc
Minimum order quantity	1 pc
Note	Made to order (non-returnable)
Product key	ABRAFR
GTIN	4046356394437
Weight per piece (including packing)	60.15 g
Weight per piece (excluding packing)	60.15 g
Country of origin	DE

RC-19P1NX2H0QF - Device connector rear mounting



1611472

<https://www.phoenixcontact.com/us/products/1611472>

Technical data

Product properties

Product type	Circular connectors (device side)
--------------	-----------------------------------

Connector

Housing

Type	Feed-through header
Thread type	M23
Design	straight
Type of locking	Screw locking mechanism
Pg screw connection	none
Mounting type	Rear mounting (M25 x 1,5)
Assembly note	Central fastening
Material (Housing)	GD-Zn
Material (Housing surface)	Ni
Material (Rotating parts)	CuZn
Degree of protection (plugged in)	IP67
Seal for the device	Axial O-ring

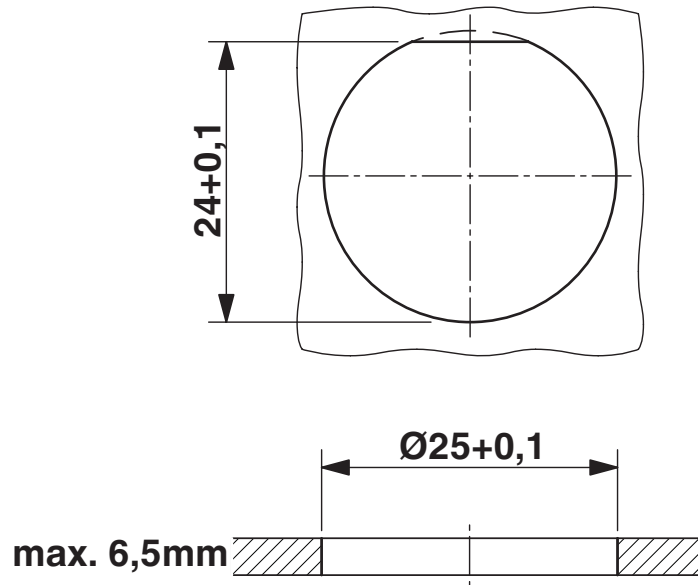
RC-19P1NX2H0QF - Device connector rear mounting

1611472

<https://www.phoenixcontact.com/us/products/1611472>

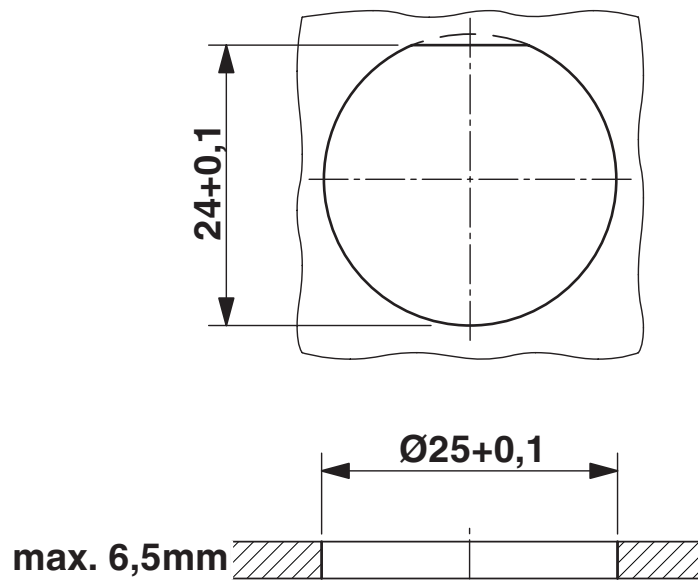
Drawings

Dimensional drawing



Installation dimensions

Dimensional drawing



Installation dimensions

RC-19P1NX2H0QF - Device connector rear mounting



1611472

<https://www.phoenixcontact.com/us/products/1611472>

Phoenix Contact 2026 © - all rights reserved

<https://www.phoenixcontact.com>

Phoenix Contact USA
586 Fulling Mill Road
Middletown, PA 17057, United States
(+717) 944-1300
info@phoenixcon.com