

# RC-17P1NA2520S - Device connector rear mounting



1611266

<https://www.phoenixcontact.com/us/products/1611266>

Please be informed that the data shown in this PDF document is generated from our online catalog. Please find the complete data in the user documentation. Our general terms of use for downloads are valid.



The figure shows the 12-pos.  
product version

M23, Device connector rear mounting, application: Signal, series: RC, straight, shielded: yes, Screw locking mechanism, No. of pos.: 17, Direction of rotation: Standard, contact connection type: Pin, Solder-in connection, Radial O-ring, Panel thickness min.: 2.7 mm, Panel thickness max.: 3.5 mm, coding: N. This product is in the process of being discontinued. This product must no longer be considered for new projects. Please contact your sales representative for alternatives.

## Commercial data

|                                      |                                |
|--------------------------------------|--------------------------------|
| Item number                          | 1611266                        |
| Packing unit                         | 20 pc                          |
| Minimum order quantity               | 1 pc                           |
| Note                                 | Made to order (non-returnable) |
| Product key                          | ABRAFR                         |
| GTIN                                 | 4046356393935                  |
| Weight per piece (including packing) | 39.875 g                       |
| Weight per piece (excluding packing) | 35.71 g                        |
| Country of origin                    | DE                             |

# RC-17P1NA2520S - Device connector rear mounting



1611266

<https://www.phoenixcontact.com/us/products/1611266>

## Technical data

### Product properties

|              |                                   |
|--------------|-----------------------------------|
| Product type | Circular connectors (device side) |
|--------------|-----------------------------------|

### Connector

#### Insulating body

|   |   |
|---|---|
| Coding                                  | N                                       |
| Material (Insulating body)              | PBT                                     |
| Material (Contact)                      | CuZn                                    |
| Material (Contact surface)              | Ni/Au                                   |
| Insertion/withdrawal cycles             | 50                                      |
| Connection method                       | Solder-in connection                    |
| Contact switching type                  | Pin                                     |
| Application                             | Signal                                  |
| Number of positions                     | 17                                      |
| Direction of rotation                   | Standard                                |
| Connection profile                      | 17                                      |
| Number (Contact group 1)                | 17                                      |
| Contact diameter (Contact group 1)      | 1 mm                                    |
| Rated current Contact (Contact group 1) | 8 A (for max. connection cross section) |
| Rated voltage Contact (Contact group 1) | 48 V AC<br>74 V DC                      |
| Rated surge voltage                     | 1.5 kV                                  |
| Overvoltage category                    | III                                     |
| Degree of pollution                     | 3                                       |

#### Housing

|                                   |   |
|-----------------------------------|---|
| Type                              | Flange housing                            |
| Thread type                       | M23                                       |
| Design                            | straight                                  |
| Type of locking                   | Screw locking mechanism                   |
| Pg screw connection               | none                                      |
| Mounting type                     | Rear mounting/square flange (4x Ø 2.7 mm) |
| Material (Housing)                | GD-Zn                                     |
| Material (Housing surface)        | Ni  |
| Material (Rotating parts)         | CuZn                                      |
| Degree of protection (plugged in) | IP67                                      |
| Seal for the device               | Radial O-ring                             |

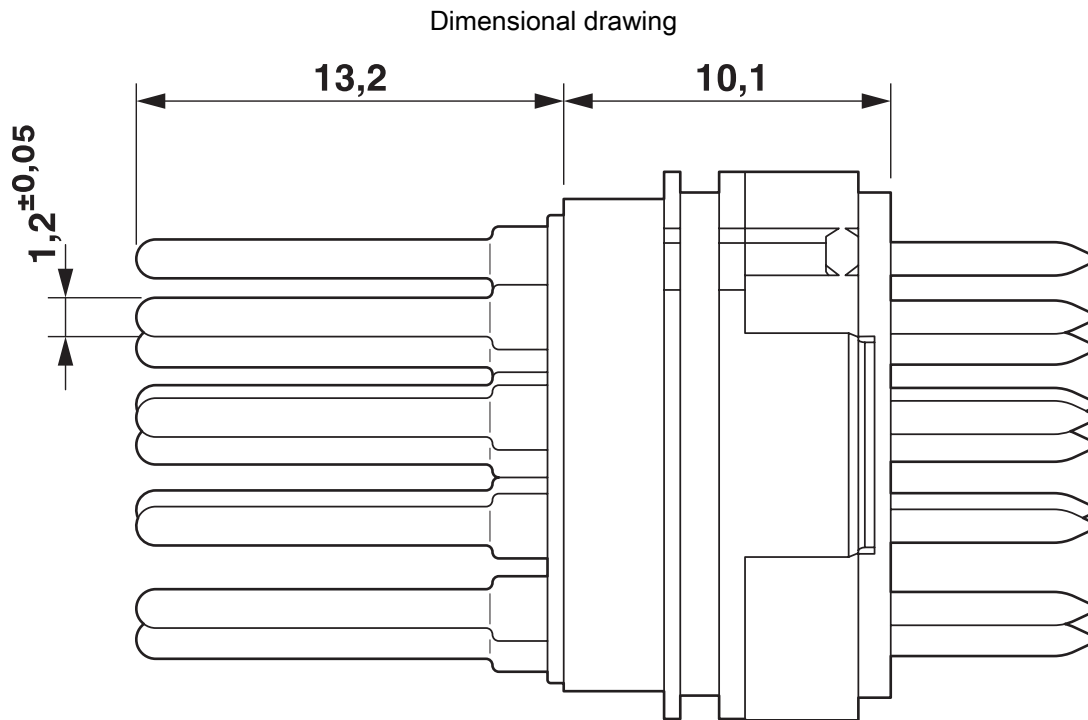
# RC-17P1NA2520S - Device connector rear mounting



1611266

<https://www.phoenixcontact.com/us/products/1611266>

## Drawings



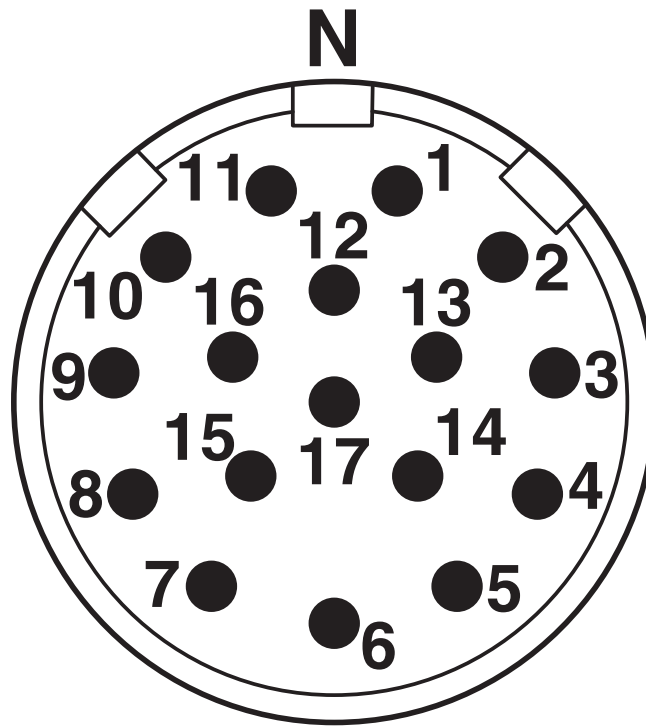
Dimensional drawing

# RC-17P1NA2520S - Device connector rear mounting

1611266

<https://www.phoenixcontact.com/us/products/1611266>

Schematic diagram



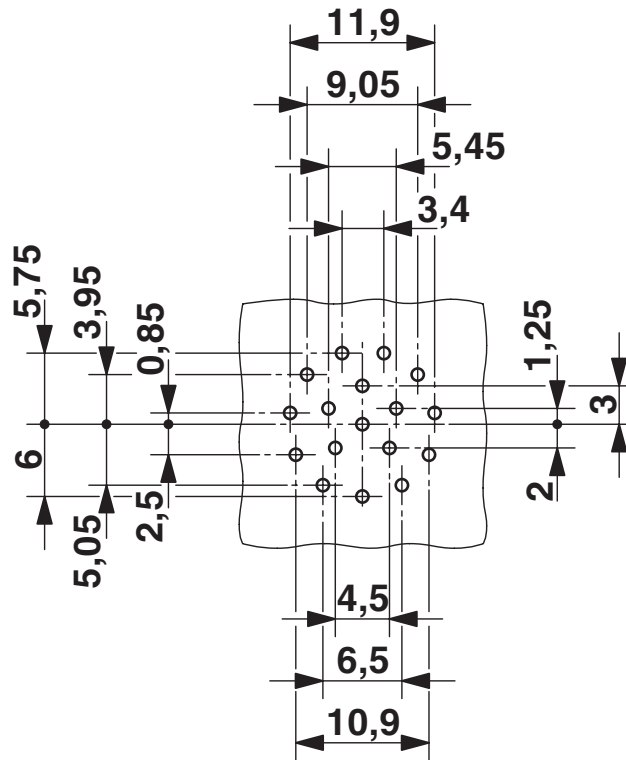
Connector pin assignment

# RC-17P1NA2520S - Device connector rear mounting

1611266

<https://www.phoenixcontact.com/us/products/1611266>

Drilling plan/solder pad geometry



# RC-17P1NA2520S - Device connector rear mounting



1611266

<https://www.phoenixcontact.com/us/products/1611266>

## Classifications

### ECLASS

|             |          |
|-------------|----------|
| ECLASS-13.0 | 27440109 |
| ECLASS-15.0 | 27440109 |

### ETIM

|           |          |
|-----------|----------|
| ETIM 10.0 | EC003569 |
|-----------|----------|

### UNSPSC

|             |          |
|-------------|----------|
| UNSPSC 21.0 | 39121400 |
|-------------|----------|

1611266

<https://www.phoenixcontact.com/us/products/1611266>

## Environmental product compliance

### EU RoHS

|   |      |
|---|------|
| Fulfills EU RoHS substance requirements | Yes  |
| Exemption                               | 6(c) |

### China RoHS

|  |   |
|--|---|
| Environment friendly use period (EFUP) | EFUP-50   |
|  | An article-related China RoHS declaration table can be found in the download area for the respective article under "Manufacturer declaration". For all articles with EFUP-E, no China RoHS declaration table issued and required. |

### EU REACH SVHC

|                                     |                                      |
|-------------------------------------|--------------------------------------|
| REACH candidate substance (CAS No.) | Lead(CAS: 7439-92-1)                 |
| SCIP                                | 3b625c34-acd7-4be5-b935-7032b318a291 |

Phoenix Contact 2026 © - all rights reserved

<https://www.phoenixcontact.com>

Phoenix Contact USA  
586 Fulling Mill Road  
Middletown, PA 17057, United States  
(+717) 944-1300  
[info@phoenixcon.com](mailto:info@phoenixcon.com)