

RC-12P2NC2H000 - Device connector rear mounting



1610817

<https://www.phoenixcontact.com/us/products/1610817>

Please be informed that the data shown in this PDF document is generated from our online catalog. Please find the complete data in the user documentation. Our general terms of use for downloads are valid.



M23, Device connector rear mounting, series: RC, straight, shielded: yes, Screw locking mechanism, Axial O-ring, Panel thickness min.: 0.8 mm, Panel thickness max.: 6.5 mm

The figure shows the 12-pos. product version with standard contact chamber numbering

Commercial data

| | |
|--------------------------------------|--------------------------------|
| Item number | 1610817 |
| Packing unit | 10 pc |
| Minimum order quantity | 1 pc |
| Note | Made to order (non-returnable) |
| Product key | ABRAFR |
| GTIN | 4046356264648 |
| Weight per piece (including packing) | 56.92 g |
| Weight per piece (excluding packing) | 56.92 g |
| Country of origin | DE |

RC-12P2NC2H000 - Device connector rear mounting



1610817

<https://www.phoenixcontact.com/us/products/1610817>

Technical data

Product properties

| | |
|--------------|-----------------------------------|
| Product type | Circular connectors (device side) |
|--------------|-----------------------------------|

Connector

Housing

| | |
|-----------------------------------|---------------------------|
| Type | Feed-through header |
| Thread type | M23 |
| Design | straight |
| Type of locking | Screw locking mechanism |
| Pg screw connection | none |
| Mounting type | Rear mounting (M25 x 1,5) |
| Assembly note | Central fastening |
| Material (Housing) | GD-Zn |
| Material (Housing surface) | Ni |
| Material (Rotating parts) | CuZn |
| Degree of protection (plugged in) | IP67 |
| Seal for the device | Axial O-ring |

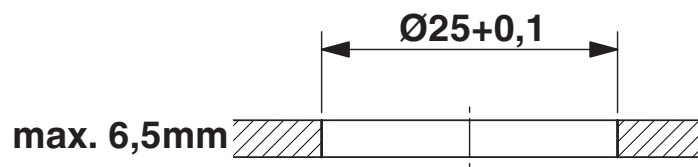
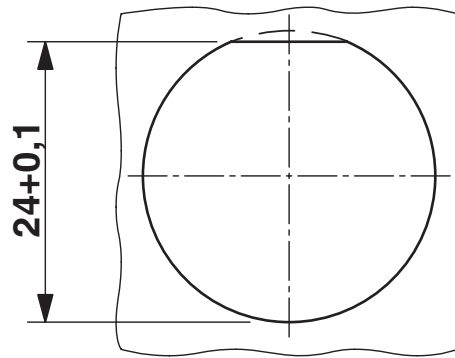
RC-12P2NC2H000 - Device connector rear mounting

1610817

<https://www.phoenixcontact.com/us/products/1610817>

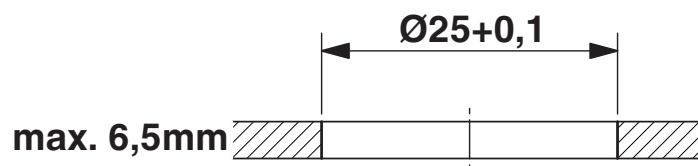
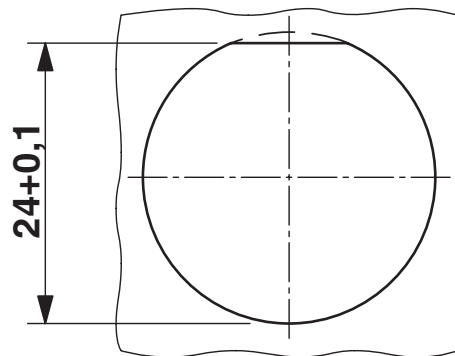
Drawings

Dimensional drawing



Installation dimensions

Dimensional drawing



Installation dimensions

1610817

<https://www.phoenixcontact.com/us/products/1610817>

Environmental product compliance

China RoHS

| | |
|--|---|
| Environment friendly use period (EFUP) | EFUP-50 |
| | An article-related China RoHS declaration table can be found in the download area for the respective article under "Manufacturer declaration". For all articles with EFUP-E, no China RoHS declaration table issued and required. |

EU REACH SVHC

| | |
|-------------------------------------|----------------------------|
| REACH candidate substance (CAS No.) | No substance above 0.1 wt% |
|-------------------------------------|----------------------------|

Phoenix Contact 2026 © - all rights reserved
<https://www.phoenixcontact.com>

Phoenix Contact USA
586 Fulling Mill Road
Middletown, PA 17057, United States
(+717) 944-1300
info@phoenixcon.com