

# RC-12P1N12AD00 - Device connector front mounting



1610659

<https://www.phoenixcontact.com/us/products/1610659>

Please be informed that the data shown in this PDF document is generated from our online catalog. Please find the complete data in the user documentation. Our general terms of use for downloads are valid.



M23, Device connector front mounting, application: Signal, series: RC, angled rotatable, shielded: yes, Screw locking mechanism, No. of pos.: 12, Direction of rotation: Standard, contact connection type: Pin, Solder cup, Axial O-ring, coding: N

## Commercial data

Item number	1610659
Packing unit	16 pc
Minimum order quantity	1 pc
Note	Made to order (non-returnable)
Product key	ABRAFM
GTIN	4046356392419
Weight per piece (including packing)	116.44 g
Weight per piece (excluding packing)	116.44 g
Country of origin	DE

1610659

<https://www.phoenixcontact.com/us/products/1610659>

## Technical data

### Product properties

Product type	Circular connectors (device side)
--------------	-----------------------------------

### Connector

#### Insulating body

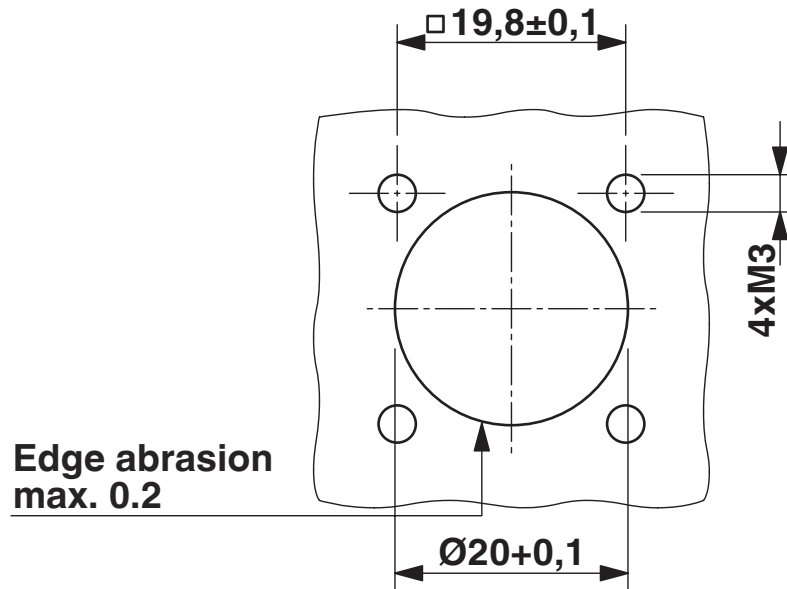
Coding	N
Material (Insulating body)	PBT
Material (Contact)	CuZn
Material (Contact surface)	Ni/Au
Insertion/withdrawal cycles	100
Connection method	Solder cup
Contact switching type	Pin
Application	Signal
Number of positions	12
Direction of rotation	Standard
Connection profile	12
Number (Contact group 1)	12
Contact diameter (Contact group 1)	1 mm
Litz wires Min. cross section (Contact group 1)	0.08 mm <sup>2</sup>
Litz wires Max. cross section (Contact group 1)	1 mm <sup>2</sup>
Rated current Contact (Contact group 1)	8 A (for max. connection cross section)
Rated voltage Contact (Contact group 1)	48 V AC 74 V DC
Rated surge voltage	1.5 kV
Overvoltage category	III
Degree of pollution	3

#### Housing

Type	Flange housing
Thread type	M23
Design	angled rotatable
Type of locking	Screw locking mechanism
Pg screw connection	none
Mounting type	Front mounting/square flange (4x Ø 3.2 mm)
Material (Housing)	GD-Zn
Material (Housing surface)	Ni
Material (Rotating parts)	CuZn
Material (Seal)	FKM
Degree of protection (plugged in)	IP67
Seal for the device	Axial O-ring

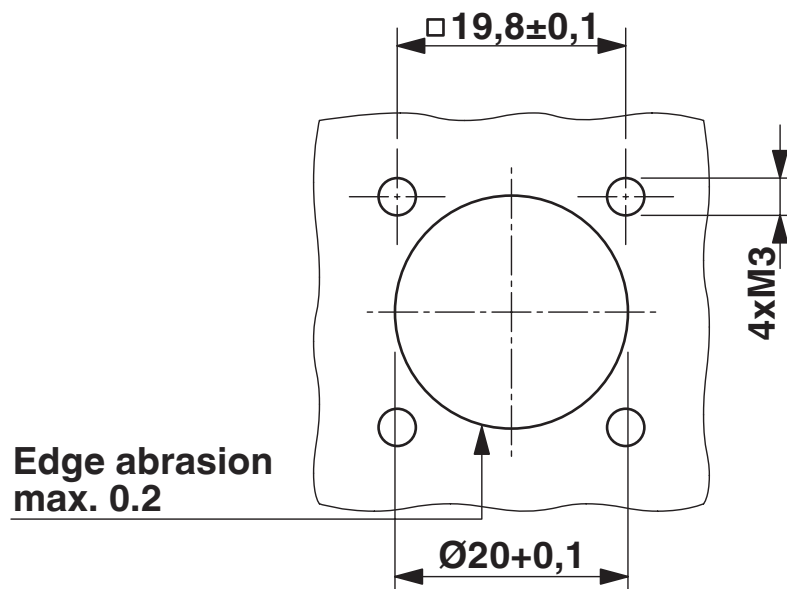
Drawings

Dimensional drawing



Installation dimensions

Dimensional drawing

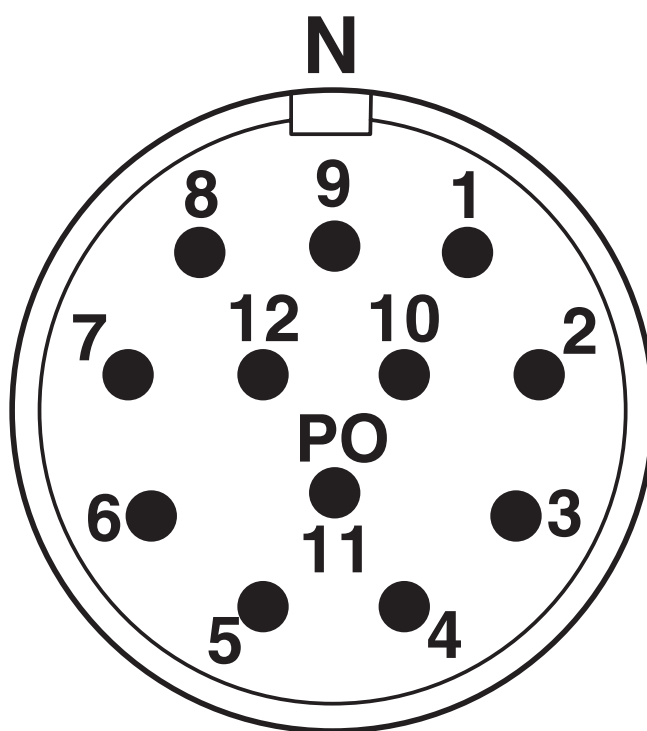


Installation dimensions

1610659

<https://www.phoenixcontact.com/us/products/1610659>

Schematic diagram



Connector pin assignment

# RC-12P1N12AD00 - Device connector front mounting



1610659

<https://www.phoenixcontact.com/us/products/1610659>

Schematic diagram



Dimensional drawing

# RC-12P1N12AD00 - Device connector front mounting



1610659

<https://www.phoenixcontact.com/us/products/1610659>

## Environmental product compliance

EU REACH SVHC

REACH candidate substance (CAS No.)	
-------------------------------------	--

	No substance above 0.1 wt%
--	----------------------------

Phoenix Contact 2026 © - all rights reserved

<https://www.phoenixcontact.com>

Phoenix Contact USA  
586 Fulling Mill Road  
Middletown, PA 17057, United States  
(+717) 944-1300  
[info@phoenixcon.com](mailto:info@phoenixcon.com)