

RC-06P1N12AD00 - Device connector front mounting



1610107

<https://www.phoenixcontact.com/us/products/1610107>

Please be informed that the data shown in this PDF document is generated from our online catalog. Please find the complete data in the user documentation. Our general terms of use for downloads are valid.



The figure shows the 12-pos. product version with standard contact chamber numbering

Device connector front mounting, application: Signal, angled rotatable, Screw locking mechanism, M23, number of positions: 6, contact connection type: Pin, Axial O-ring, 4x Ø 3.2, shielded: yes, number of positions: 6, connection method: Solder connection, series: RC

Commercial data

Item number	1610107
Packing unit	16 pc
Minimum order quantity	1 pc
Note	Made to order (non-returnable)
Product key	ABRAFM
GTIN	4046356688802
Weight per piece (including packing)	129.625 g
Weight per piece (excluding packing)	129.625 g
Country of origin	DE

1610107

<https://www.phoenixcontact.com/us/products/1610107>

Technical data

Product properties

Product type	Circular connectors (device side)
Series	RC
Application	Signal
Number of positions	6
Connection profile	6
Shielded	yes
Coding	N
Thread type	M23

Material specifications

Seal material	FPM
---------------	-----

Electrical properties

Contact

Contact diameter	2 mm
Min. cross section	0.08 mm ²
Max. cross section	2.5 mm ²
Nominal current I _N	20 A
Nominal voltage U _N	48 V AC 74 V DC
Overvoltage category	III
Degree of pollution	3
Rated surge voltage	1.5 kV

Connection data

Conductor connection

Connection method	Solder connection
Contact connection type	Pin

Mechanical properties

Mechanical data

Insertion/withdrawal cycles	50
-----------------------------	----

Connector

Type	angled rotatable
Direction of rotation	Standard

Environmental and real-life conditions

Ambient conditions

RC-06P1N12AD00 - Device connector front mounting



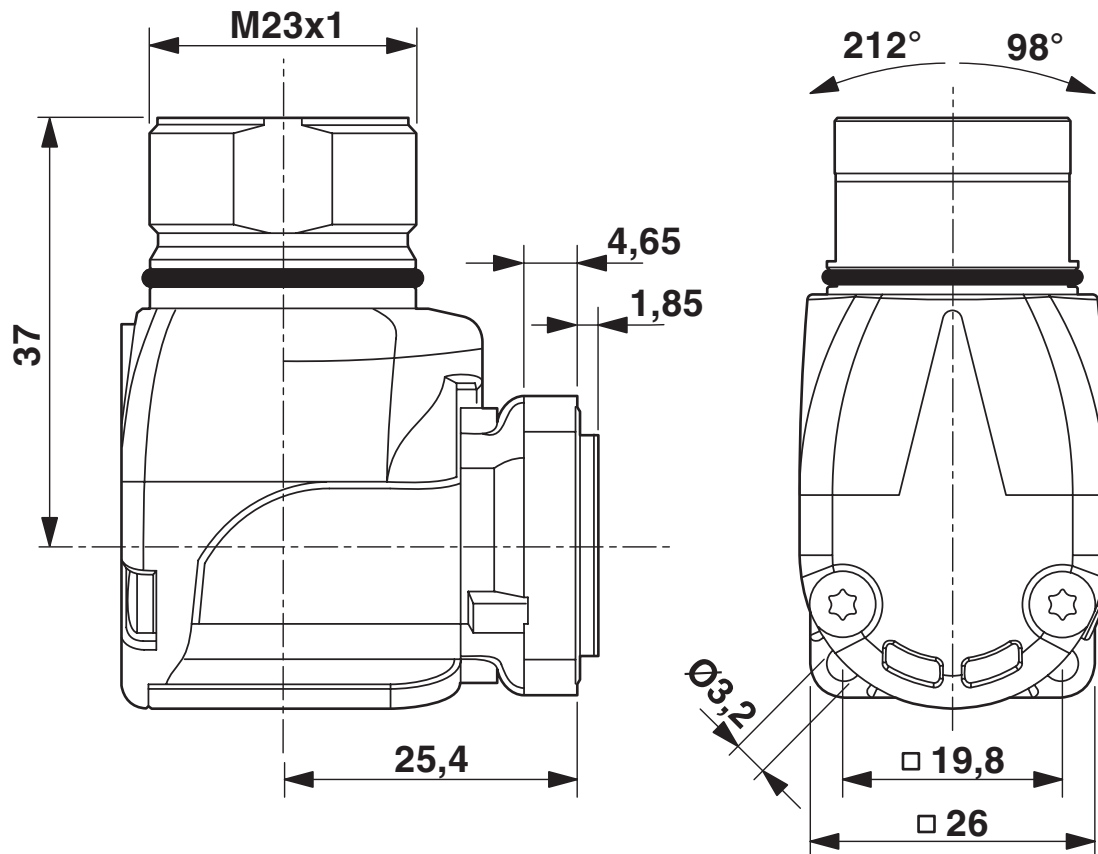
1610107

<https://www.phoenixcontact.com/us/products/1610107>

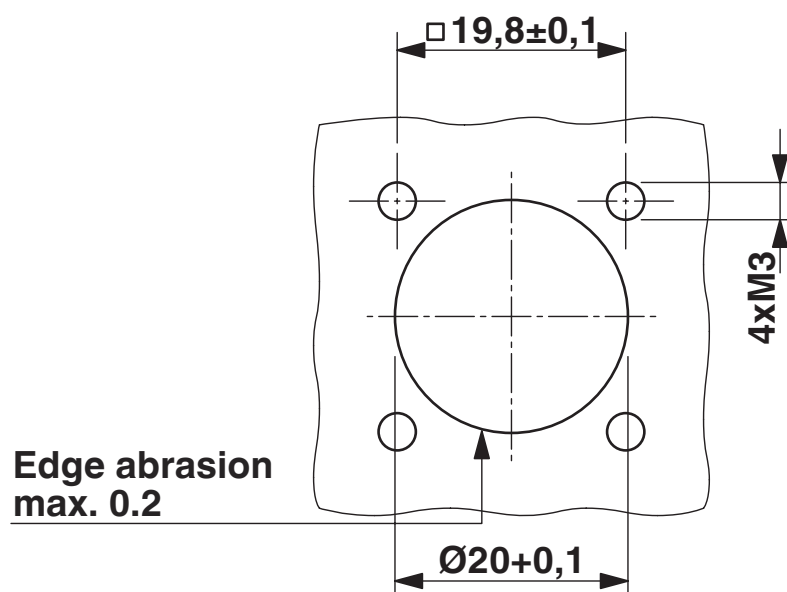
Degree of protection	IP67
Ambient temperature (operation)	-20 °C ... 125 °C
Altitude	2000 m

Drawings

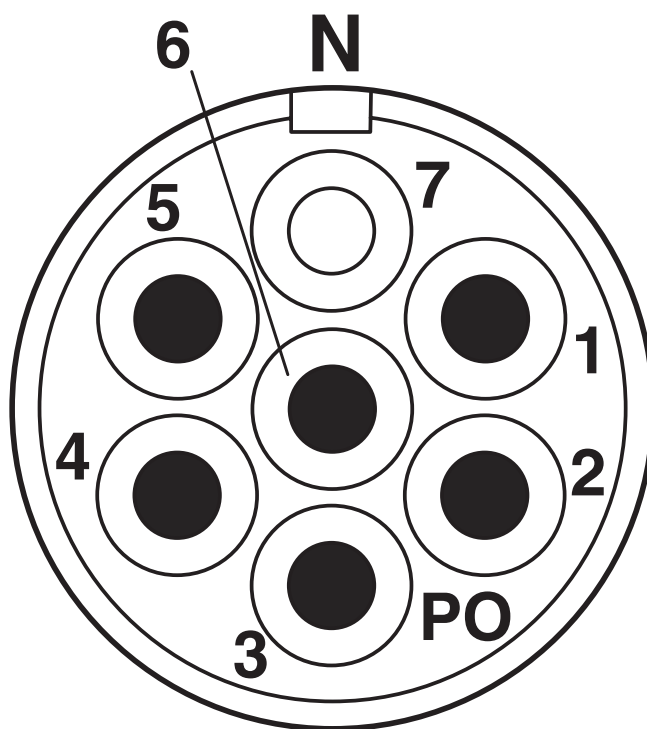
Dimensional drawing



Dimensional drawing



Schematic diagram



RC-06P1N12AD00 - Device connector front mounting



1610107

<https://www.phoenixcontact.com/us/products/1610107>

Classifications

UNSPSC

UNSPSC 21.0	39121413
-------------	----------

1610107

<https://www.phoenixcontact.com/us/products/1610107>

Environmental product compliance

EU RoHS

Fulfills EU RoHS substance requirements	Yes
Exemption	6(a), 6(a)-I, 6(c)

China RoHS

Environment friendly use period (EFUP)	EFUP-50
	An article-related China RoHS declaration table can be found in the download area for the respective article under "Manufacturer declaration". For all articles with EFUP-E, no China RoHS declaration table issued and required.

EU REACH SVHC

REACH candidate substance (CAS No.)	No substance above 0.1 wt%
-------------------------------------	----------------------------

Phoenix Contact 2026 © - all rights reserved
<https://www.phoenixcontact.com>

Phoenix Contact USA
586 Fulling Mill Road
Middletown, PA 17057, United States
(+717) 944-1300
info@phoenixcon.com