

# RC-0000000Q3EP - Housing for circular connector



1610067

<https://www.phoenixcontact.com/us/products/1610067>

Please be informed that the data shown in this PDF document is generated from our online catalog. Please find the complete data in the user documentation. Our general terms of use for downloads are valid.



Housing for circular connector, series: RC, straight, Screw locking mechanism, M23, Axial O-ring, shielded: yes, panel thickness min.: 0.8 mm, panel thickness max.: 6.5 mm

## Commercial data

Item number	1610067
Packing unit	10 pc
Minimum order quantity	1 pc
Note	Made to order (non-returnable)
Product key	ABRAFK
GTIN	4046356391115
Weight per piece (including packing)	114.9 g
Weight per piece (excluding packing)	114.9 g
Country of origin	DE

# RC-0000000Q3EP - Housing for circular connector



1610067

<https://www.phoenixcontact.com/us/products/1610067>

## Technical data

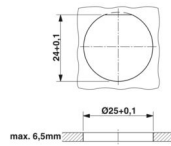
### Notes

Order information:	Order contact inserts and cable clamping/shield accessories separately
--------------------	--

### Product properties

Product type	Circular connector housing
Series	RC
Application	Signal
Shielded	yes
Thread type	M23

### Dimensions

Dimensional drawing	
Panel thickness	0.8 mm ... 6.5 mm

### Connector

Type	straight
------	----------

### Housing

Type	Feed-through header
Thread type	M23
Design	straight
Mounting type	Rear mounting
Assembly note	Central fastening
Material (Housing)	GD-Zn
Material (Housing surface)	Ni
Material (Rotating parts)	CuZn
Degree of protection (plugged in)	IP67
Seal for the device	Axial O-ring

### Environmental and real-life conditions

#### Ambient conditions

Degree of protection	IP67
----------------------	------

### Mounting

Mounting type	Rear mounting (Pg13,5)
Assembly note	Central fastening

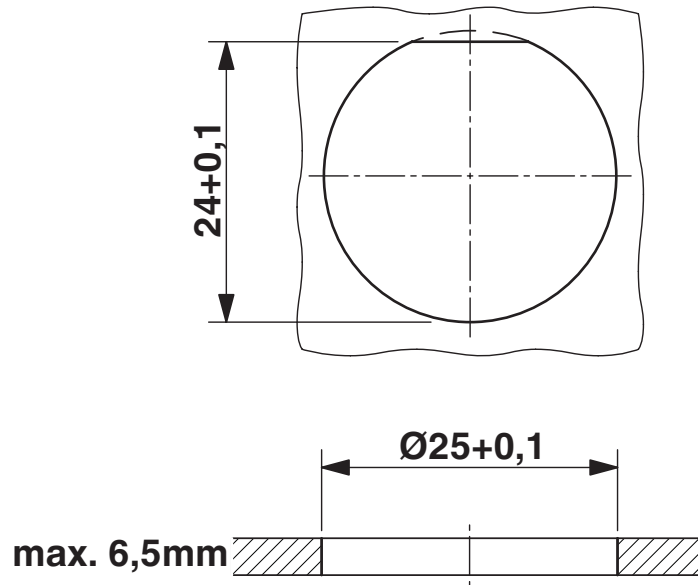
# RC-0000000Q3EP - Housing for circular connector

1610067

<https://www.phoenixcontact.com/us/products/1610067>

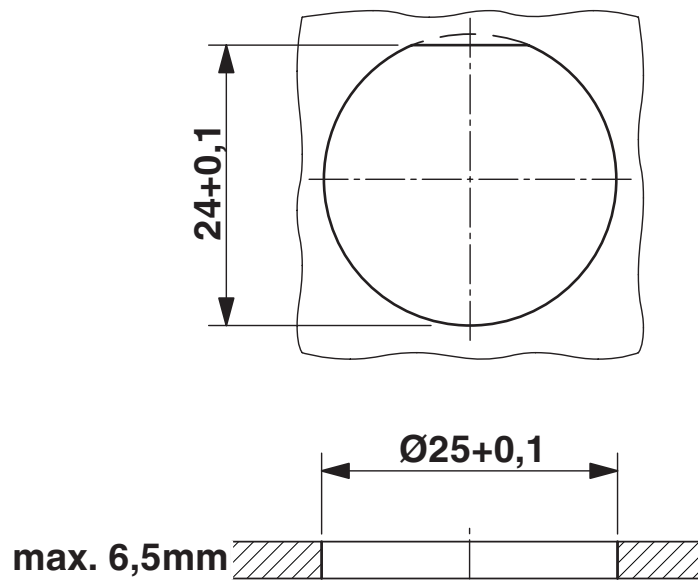
## Drawings

Dimensional drawing



Installation dimensions

Dimensional drawing



Installation dimensions

# RC-0000000Q3EP - Housing for circular connector



1610067

<https://www.phoenixcontact.com/us/products/1610067>

## Classifications

### ECLASS

ECLASS-13.0	27440224
-------------	----------

### UNSPSC

UNSPSC 21.0	39121400
-------------	----------

# RC-0000000Q3EP - Housing for circular connector



1610067

<https://www.phoenixcontact.com/us/products/1610067>

## Environmental product compliance

### EU RoHS

Fulfills EU RoHS substance requirements	Yes
Exemption	6(c)

### China RoHS

Environment friendly use period (EFUP)	EFUP-50
	An article-related China RoHS declaration table can be found in the download area for the respective article under "Manufacturer declaration". For all articles with EFUP-E, no China RoHS declaration table issued and required.

### EU REACH SVHC

REACH candidate substance (CAS No.)	Lead(CAS: 7439-92-1)
-------------------------------------	----------------------

Phoenix Contact 2026 © - all rights reserved  
<https://www.phoenixcontact.com>

Phoenix Contact USA  
586 Fulling Mill Road  
Middletown, PA 17057, United States  
(+717) 944-1300  
[info@phoenixcon.com](mailto:info@phoenixcon.com)