

PV-12P1N22HG00 - Device connector rear mounting



1609979

<https://www.phoenixcontact.com/us/products/1609979>

Please be informed that the data shown in this PDF document is generated from our online catalog. Please find the complete data in the user documentation. Our general terms of use for downloads are valid.



The figure shows the 14-pos.
product version

Device connector rear mounting, application: Signal, straight, Screw locking mechanism, M16, number of positions: 12, contact connection type: Pin, Axial O-ring, Central fixing, shielded: no, number of positions: 12, connection method: Solder-in connection, series: PV

Commercial data

Item number	1609979
Packing unit	12 pc
Minimum order quantity	1 pc
Note	Made to order (non-returnable)
Product key	ABRAKR
GTIN	4046356439534
Weight per piece (including packing)	37.74 g
Weight per piece (excluding packing)	23.9 g
Country of origin	DE

PV-12P1N22HG00 - Device connector rear mounting



1609979

<https://www.phoenixcontact.com/us/products/1609979>

Technical data

Product properties

Product type	Circular connectors (device side)
Series	PV
Application	Signal
Number of positions	12
Connection profile	12
Shielded	no
Coding	N
Thread type	M16

Material specifications

Seal material	FPM or NBR or EPDM
Housing material	Turned parts: copper zinc alloy (CuZn), die-cast parts: zinc (GD-Zn)
Contact material	CuZn
Contact surface	Nickel-plated, gold coating

Electrical properties

Contact

Nominal current I_N	0.8 A
Nominal voltage U_N	100 V
Overvoltage category	II
Degree of pollution	3
Rated surge voltage	0.8 kV

Connection data

Conductor connection

Connection method	Solder-in connection
Contact connection type	Pin

Mechanical properties

Mechanical data

Insertion/withdrawal cycles	50
-----------------------------	----

Connector

Type	straight
------	----------

Environmental and real-life conditions

Ambient conditions

Degree of protection	IP67
----------------------	------

PV-12P1N22HG00 - Device connector rear mounting



1609979

<https://www.phoenixcontact.com/us/products/1609979>

Ambient temperature (operation)	-20 °C ... 125 °C
Altitude	2000 m

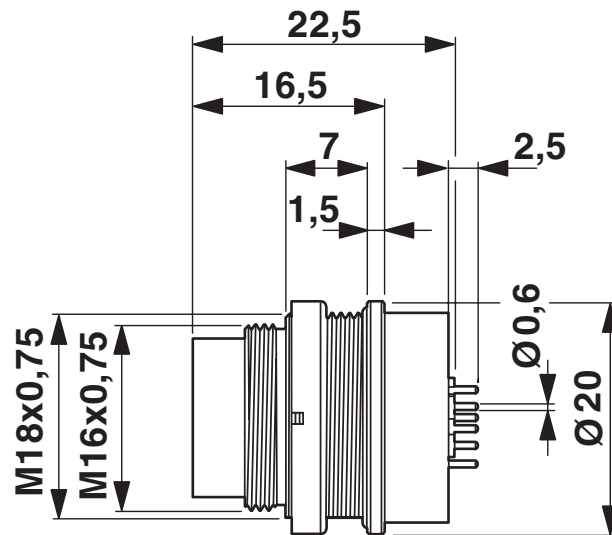
PV-12P1N22HG00 - Device connector rear mounting

1609979

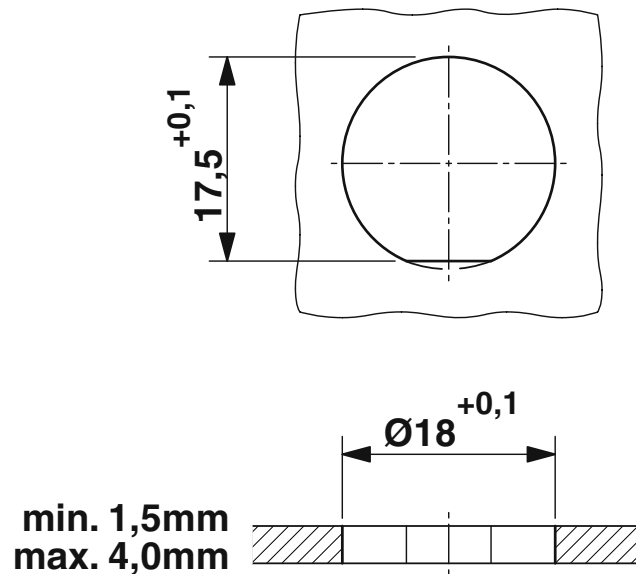
<https://www.phoenixcontact.com/us/products/1609979>

Drawings

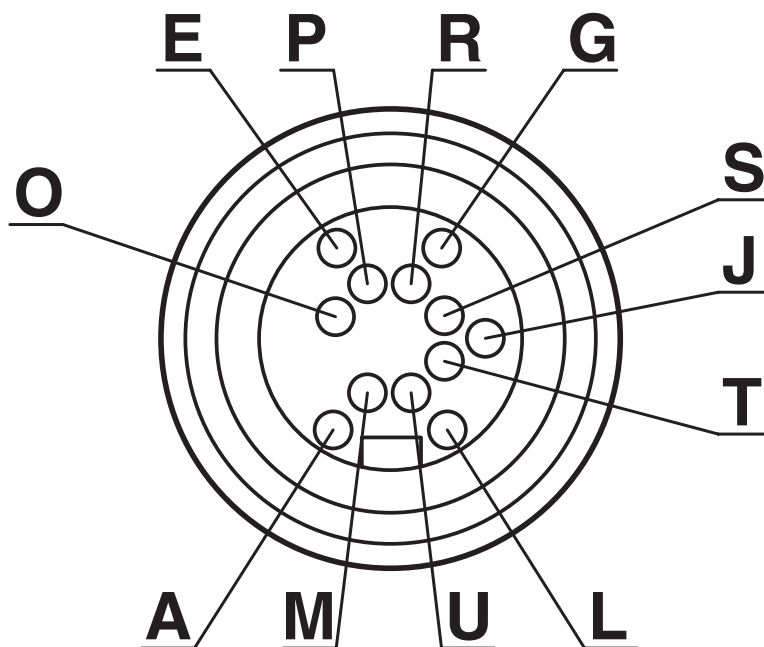
Dimensional drawing



Dimensional drawing



Schematic diagram



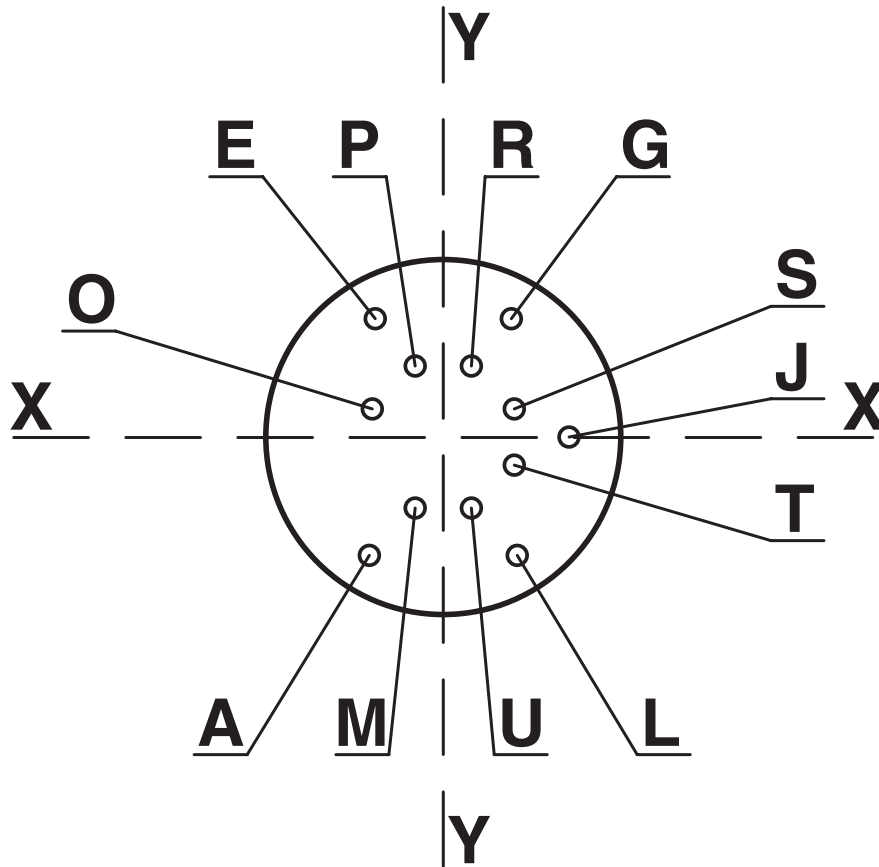
PV-12P1N22HG00 - Device connector rear mounting



1609979

<https://www.phoenixcontact.com/us/products/1609979>

Schematic diagram



Phoenix Contact 2026 © - all rights reserved
<https://www.phoenixcontact.com>

Phoenix Contact USA
586 Fulling Mill Road
Middletown, PA 17057, United States
(+717) 944-1300
info@phoenixcon.com