

# VS-P1223-P1223-C1020/ 1,0 - Cable



1609374

<https://www.phoenixcontact.com/us/products/1609374>

Please be informed that the data shown in this PDF document is generated from our online catalog. Please find the complete data in the user documentation. Our general terms of use for downloads are valid.



Cable, degree of protection: IP65, cable length: 1 m, number of positions: 5, material: PA-GF, PROFINET/power, gray RAL 7001

## Commercial data

Item number	1609374
Packing unit	1 pc
Note	Made to order (non-returnable)
Sales key	NULL
Product key	ABNOIA
GTIN	4046356160957
Weight per piece (including packing)	344 g
Weight per piece (excluding packing)	215.251 g
Customs tariff number	85444290
Country of origin	DE

# VS-P1223-P1223-C1020/ 1,0 - Cable



1609374

<https://www.phoenixcontact.com/us/products/1609374>

## Technical data

### Product properties

Product type	Data cable preassembled
Sensor type	PROFINET/power
Number of positions	5
Shielded	no

### Electrical properties

Rated voltage (III/3)	400 V
Rated current	16 A (at 20 °C)
Nominal voltage $U_N$	400 V
Transmission medium	Copper

### Mechanical properties

#### Mechanical data

Insertion/withdrawal cycles	$\geq 100$
-----------------------------	------------

### Material specifications

Seal material O-ring	NBR
Seal material Cable seal	TPE
Housing material	PA-GF
Contact material	Copper alloy
Contact surface material	Gold over nickel
Contact carrier material	PA
Outer sheath, material	PVC
Conductor material	Bare Cu litz wires

### Connector

#### Connection 1

Type	Plug straight MSTB
Locking type	Push Pull
Degree of protection	IP65

#### Connection 2

Type	Plug straight MSTB
Locking type	Push Pull
Degree of protection	IP65

### Cable/line

Cable length	1.00 m
--------------	--------

#### PVC gray [PVC]

Cable weight	242 kg/km
--------------	-----------

# VS-P1223-P1223-C1020/ 1,0 - Cable



1609374

<https://www.phoenixcontact.com/us/products/1609374>

Number of positions	5
Shielded	no
Cable type	PVC gray [PVC]
Conductor structure, voltage supply	50x 0.25 mm
AWG power supply	14
Conductor cross-section	5x 2.5 mm <sup>2</sup>
External cable diameter	11.80 mm
Outer sheath, material	PVC
External sheath, color	gray RAL 7001
Conductor material	Bare Cu litz wires
Material wire insulation	PVC
Single wire, color	blue, brown, black, gray, green/yellow
Overall twist	5 cores, twisted
Insulation resistance	> 0.2 MΩ*km
Nominal voltage, cable	750 V 1000 V (Fixed, protected installation)
Test voltage	4000 V
Minimum bending radius, fixed installation	4 x D
Minimum bending radius, flexible installation	15 x D
Smallest bending radius, fixed installation	48 mm
Smallest bending radius, movable installation	177 mm
Flame resistance	according to IEC 60332-1-2
Ambient temperature (operation)	-40 °C ... 80 °C (cable, fixed installation) -5 °C ... 70 °C (Cable, flexible installation)

# VS-P1223-P1223-C1020/ 1,0 - Cable

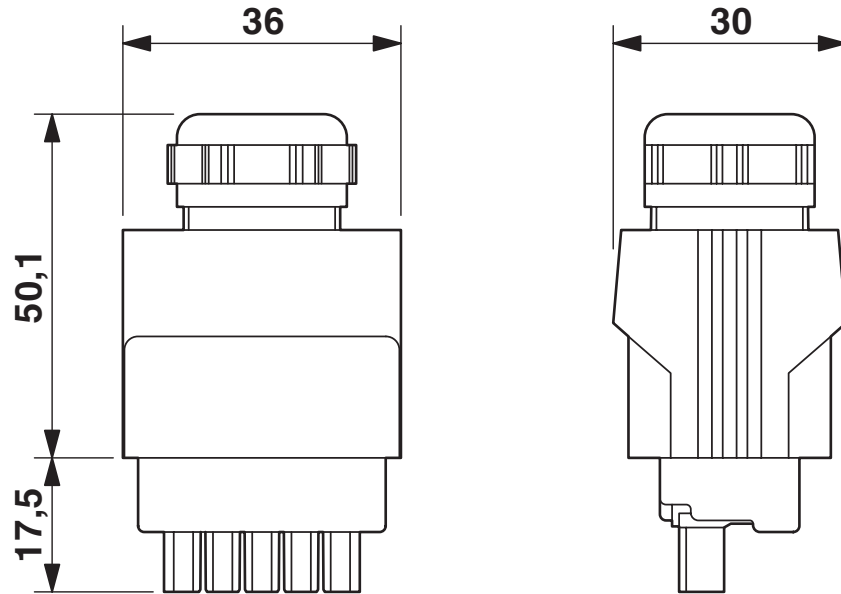


1609374

<https://www.phoenixcontact.com/us/products/1609374>

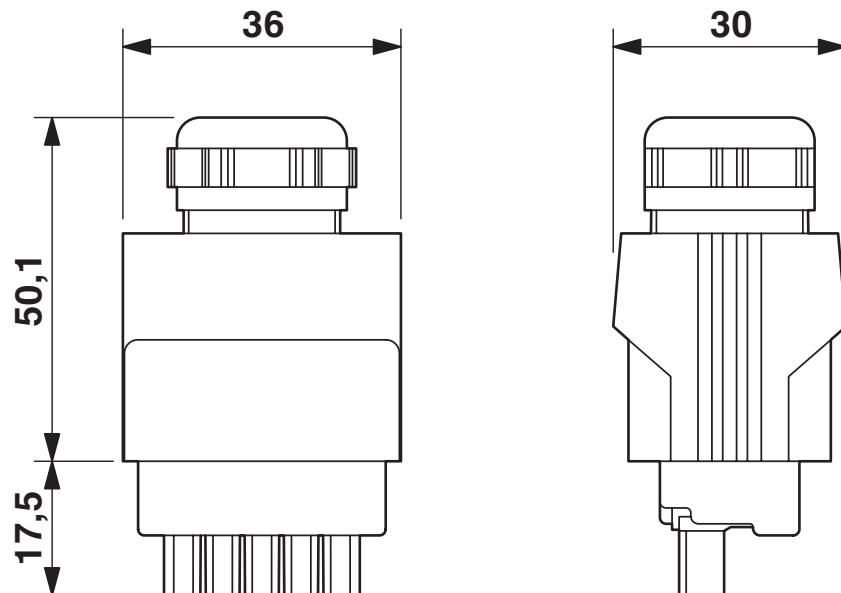
## Drawings

Dimensional drawing



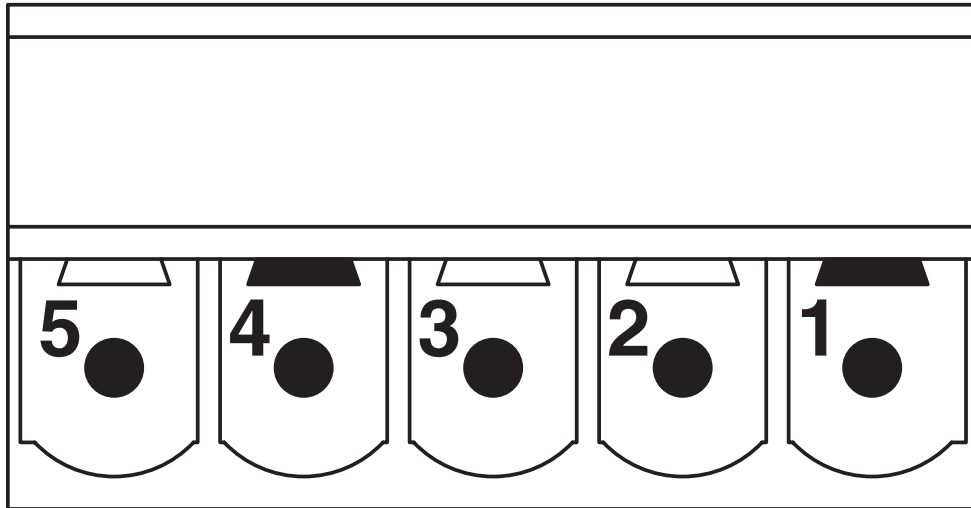
Push-Pull MSTB connector IP65/67

Dimensional drawing



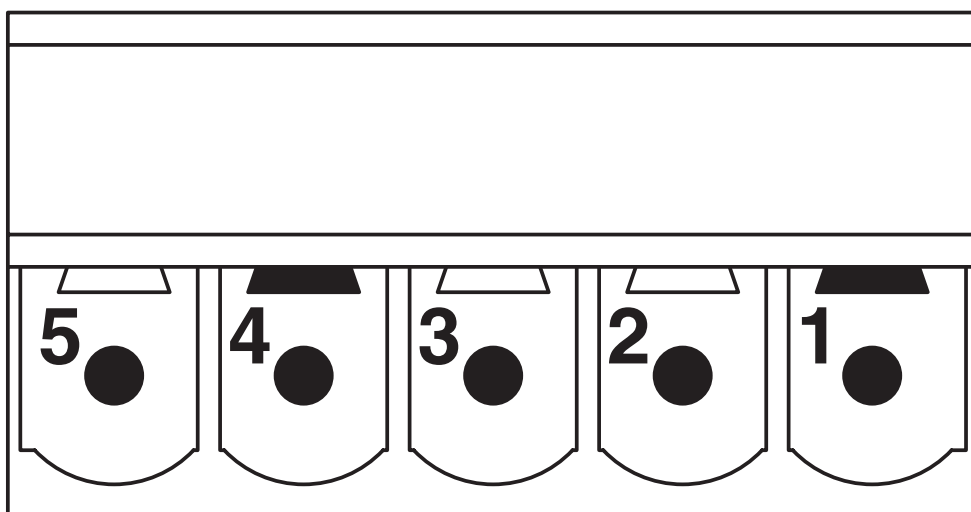
Push-Pull MSTB connector IP65/67

Schematic diagram



Connector pin assignment for PROFINET Push-Pull, power connector, 400 V

Schematic diagram



Connector pin assignment for PROFINET Push-Pull, power connector, 400 V

# VS-P1223-P1223-C1020/ 1,0 - Cable



1609374

<https://www.phoenixcontact.com/us/products/1609374>

## Environmental product compliance

### EU RoHS

Fulfills EU RoHS substance requirements	Yes, No exemptions
---	--------------------

### China RoHS

Environment friendly use period (EFUP)	EFUP-E
	No hazardous substances above the limits

### EU REACH SVHC

REACH candidate substance (CAS No.)	No substance above 0.1 wt%
-------------------------------------	----------------------------

Phoenix Contact 2026 © - all rights reserved  
<https://www.phoenixcontact.com>

Phoenix Contact USA  
586 Fulling Mill Road  
Middletown, PA 17057, United States  
(+717) 944-1300  
[info@phoenixcon.com](mailto:info@phoenixcon.com)