

VS-P1222-P1222-C1020/ 5,0 - Cable



1609277

<https://www.phoenixcontact.com/us/products/1609277>

Please be informed that the data shown in this PDF document is generated from our online catalog. Please find the complete data in the user documentation. Our general terms of use for downloads are valid.



Cable, degree of protection: IP65, cable length: 5 m, number of positions: 5, material: PA-GF, color: black, PROFINET/power, gray RAL 7001

Commercial data

Item number	1609277
Packing unit	1 pc
Note	Made to order (non-returnable)
Sales key	NULL
Product key	ABNOIA
GTIN	4046356160872
Weight per piece (including packing)	1,318.2 g
Weight per piece (excluding packing)	1,318.2 g
Customs tariff number	85444290
Country of origin	DE

VS-P1222-P1222-C1020/ 5,0 - Cable



1609277

<https://www.phoenixcontact.com/us/products/1609277>

Technical data

Product properties

Product type	Data cable preassembled
Number of positions	5
Shielded	no

Interfaces

Signal type/category	PROFINET/power
----------------------	----------------

Electrical properties

Rated voltage (III/3)	24 V
Rated current	16 A (at 20 °C)
Nominal voltage U_N	24 V
Transmission medium	Copper

Mechanical properties

Mechanical data

Insertion/withdrawal cycles	≥ 100
-----------------------------	------------

Material specifications

Color	black
Seal material O-ring	NBR
Seal material Cable seal	TPE
Housing material	PA-GF
Contact material	Copper alloy
Contact surface material	Gold over nickel
Contact carrier material	PA
Outer sheath, material	PVC
Conductor material	Bare Cu litz wires

Connector

Connection 1

Type	Plug straight MSTB
Locking type	Push Pull
Degree of protection	IP65

Connection 2

Type	Plug straight MSTB
Locking type	Push Pull
Degree of protection	IP65

Cable/line

VS-P1222-P1222-C1020/ 5,0 - Cable



1609277

<https://www.phoenixcontact.com/us/products/1609277>

Cable length	5.00 m
PVC gray [PVC]	
Cable weight	242 kg/km
Number of positions	5
Shielded	no
Cable type	PVC gray [PVC]
Conductor structure, voltage supply	50x 0.25 mm
AWG power supply	14
Conductor cross-section	5x 2.5 mm ²
External cable diameter	11.80 mm
Outer sheath, material	PVC
External sheath, color	gray RAL 7001
Conductor material	Bare Cu litz wires
Material wire insulation	PVC
Single wire, color	blue, brown, black, gray, green/yellow
Overall twist	5 cores, twisted
Insulation resistance	> 0.2 MΩ*km
Nominal voltage, cable	750 V
	1000 V (Fixed, protected installation)
Test voltage	4000 V
Minimum bending radius, fixed installation	4 x D
Minimum bending radius, flexible installation	15 x D
Smallest bending radius, fixed installation	48 mm
Smallest bending radius, movable installation	177 mm
Flame resistance	according to IEC 60332-1-2
Ambient temperature (operation)	-40 °C ... 80 °C (cable, fixed installation)
	-5 °C ... 70 °C (Cable, flexible installation)

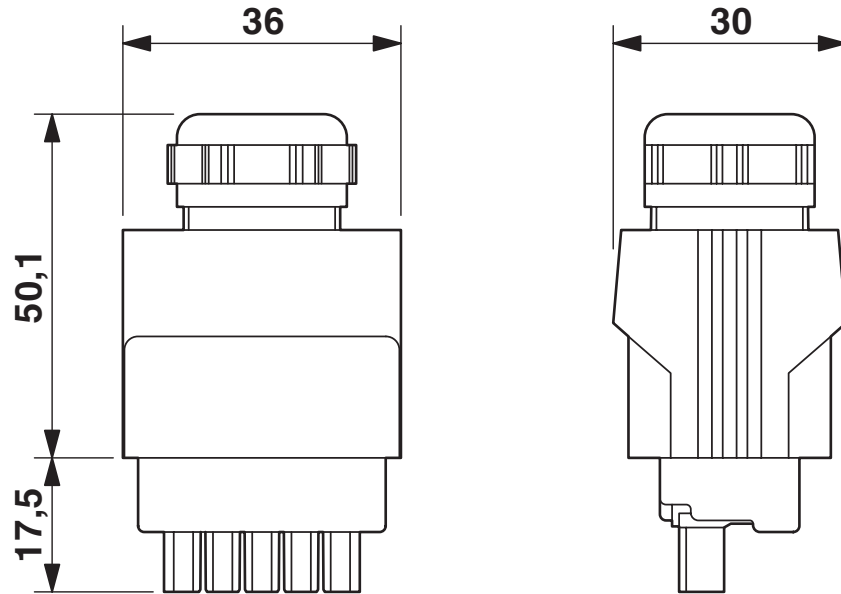
Environmental and real-life conditions

Ambient conditions

Degree of protection	IP65
	IP67
	IP65
Ambient temperature (operation)	-40 °C ... 70 °C (cable, fixed installation)
	-5 °C ... 70 °C (Cable, flexible installation)
	Plug / socket

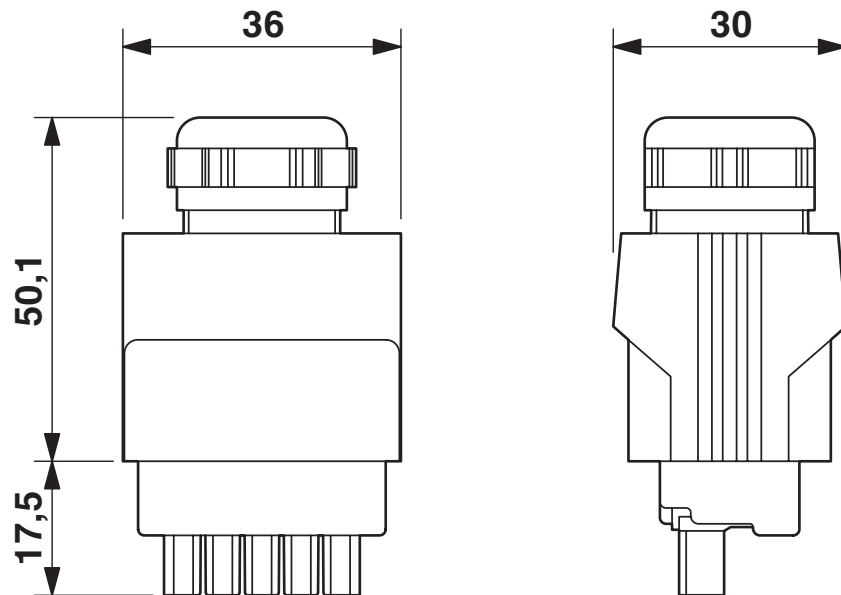
Drawings

Dimensional drawing



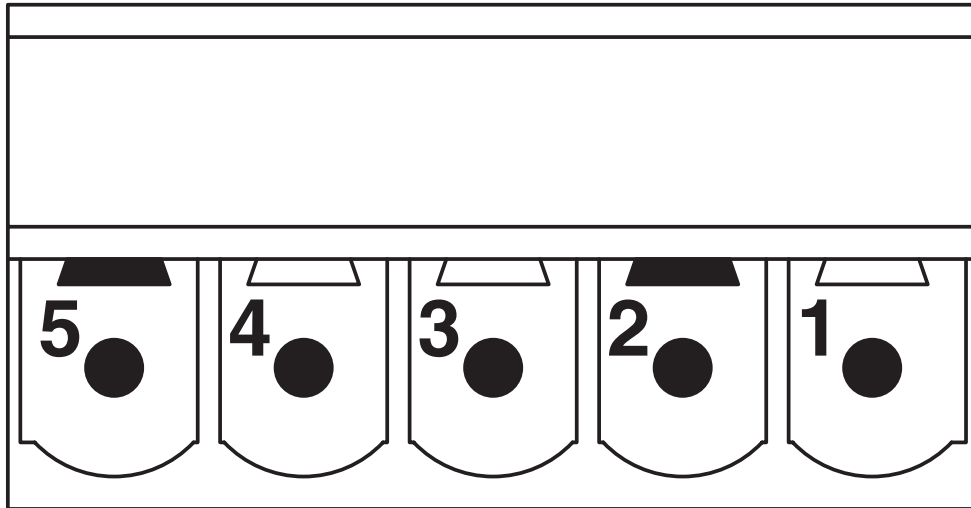
Push-Pull MSTB connector IP65/67

Dimensional drawing



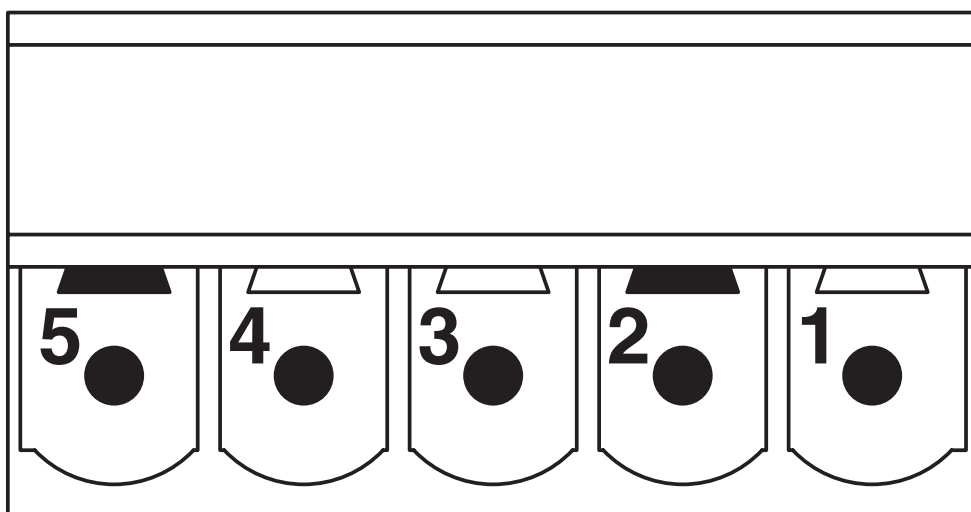
Push-Pull MSTB connector IP65/67

Schematic diagram



Connector pin assignment for PROFINET Push-Pull, power connector, 24 V

Schematic diagram



Plug pin assignment plug push-pull, Power, 24 V

VS-P1222-P1222-C1020/ 5,0 - Cable



1609277

<https://www.phoenixcontact.com/us/products/1609277>

Environmental product compliance

EU RoHS

Fulfills EU RoHS substance requirements	Yes, No exemptions
---	--------------------

China RoHS

Environment friendly use period (EFUP)	EFUP-E
	No hazardous substances above the limits

EU REACH SVHC

REACH candidate substance (CAS No.)	No substance above 0.1 wt%
-------------------------------------	----------------------------

Phoenix Contact 2026 © - all rights reserved
<https://www.phoenixcontact.com>

Phoenix Contact USA
586 Fulling Mill Road
Middletown, PA 17057, United States
(+717) 944-1300
info@phoenixcon.com