

VS-P1220-P1226-C1021/ 2,0 - Cable



1609222

<https://www.phoenixcontact.com/us/products/1609222>

Please be informed that the data shown in this PDF document is generated from our online catalog. Please find the complete data in the user documentation. Our general terms of use for downloads are valid.



Cable, degree of protection: IP65, number of positions: 5, material: Zinc die-cast/PBT, PROFINET/power

Commercial data

Item number	1609222
Packing unit	1 pc
Note	Made to order (non-returnable)
Sales key	NULL
Product key	ABNOIA
GTIN	4046356160131
Weight per piece (including packing)	518.3 g
Weight per piece (excluding packing)	116.8 g
Customs tariff number	85444290
Country of origin	DE

VS-P1220-P1226-C1021/ 2,0 - Cable



1609222

<https://www.phoenixcontact.com/us/products/1609222>

Technical data

Product properties

Product type	Data cable preassembled
Number of positions	5
Shielded	no

Interfaces

Signal type/category	PROFINET/power
----------------------	----------------

Electrical properties

Rated voltage (III/3)	24 V
Rated current	16 A (at 20 °C)
Nominal voltage U_N	24 V
Transmission medium	Copper

Mechanical properties

Mechanical data

Insertion/withdrawal cycles	≥ 50
-----------------------------	------

Material specifications

Seal material	NBR
Housing material	Zinc die-cast/PBT
Cable seal material	TPE
Contact material	Copper alloy
Contact surface material	Gold over nickel
Contact carrier material	PA/PUR
Outer sheath, material	PVC
Conductor material	Bare Cu litz wires

Connector

Connection 1

Type	Plug straight MSTB
Locking type	Push Pull
Degree of protection	IP65

Connection 2

Type	Plug straight 7/8"-UNF
Degree of protection	IP65

Cable/line

PVC gray [PVC]

Shielded	no
----------	----

VS-P1220-P1226-C1021/ 2,0 - Cable



1609222

<https://www.phoenixcontact.com/us/products/1609222>

Cable type	PVC gray
Cable type (abbreviation)	PVC
External cable diameter	8.1 mm
Outer sheath, material	PVC
External sheath, color	silver-gray RAL 7001
Conductor material	Bare Cu litz wires
Conductor cross-section	1.5 mm ²
Smallest bending radius, fixed installation	40 mm
Smallest bending radius, movable installation	150 mm

Environmental and real-life conditions

Ambient conditions

Degree of protection	IP65
	IP67
	IP65
Ambient temperature (operation)	-40 °C ... 70 °C (cable, fixed installation)
	-5 °C ... 70 °C (Cable, flexible installation)
	Plug / socket

VS-P1220-P1226-C1021/ 2,0 - Cable

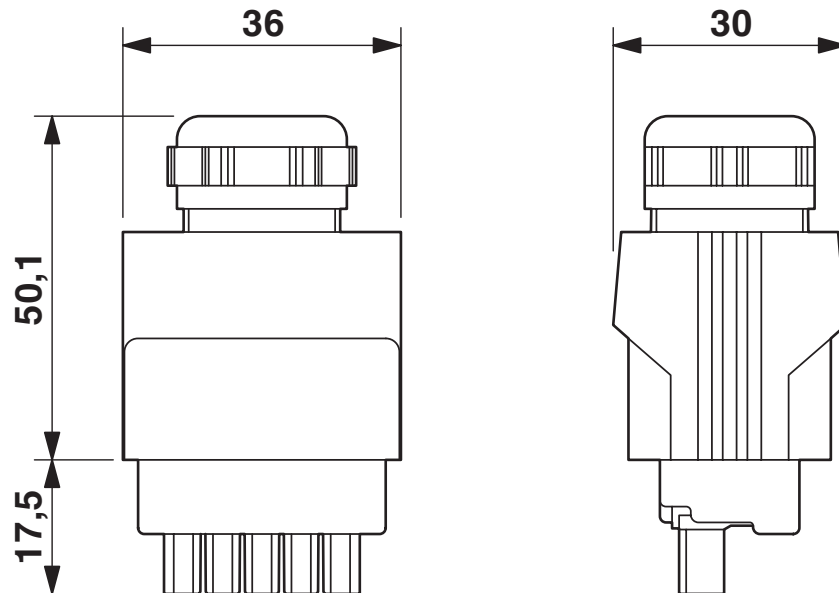


1609222

<https://www.phoenixcontact.com/us/products/1609222>

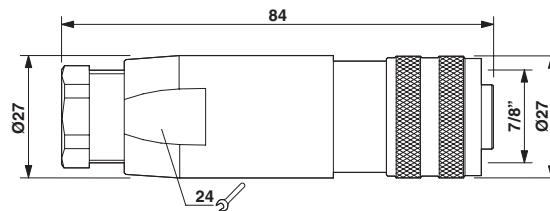
Drawings

Dimensional drawing



Push-Pull MSTB connector IP65/67

Dimensional drawing

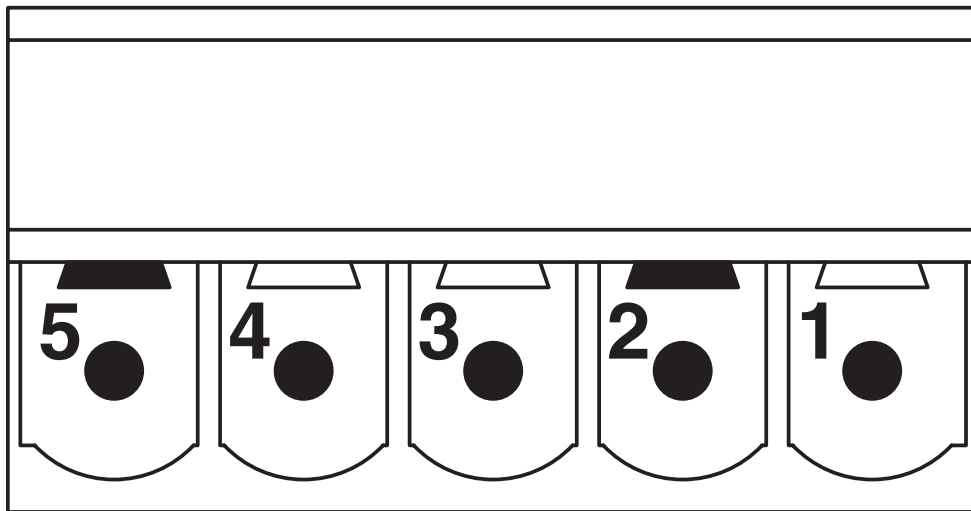


Socket 7/8"-16UNF, straight, Pg13

1609222

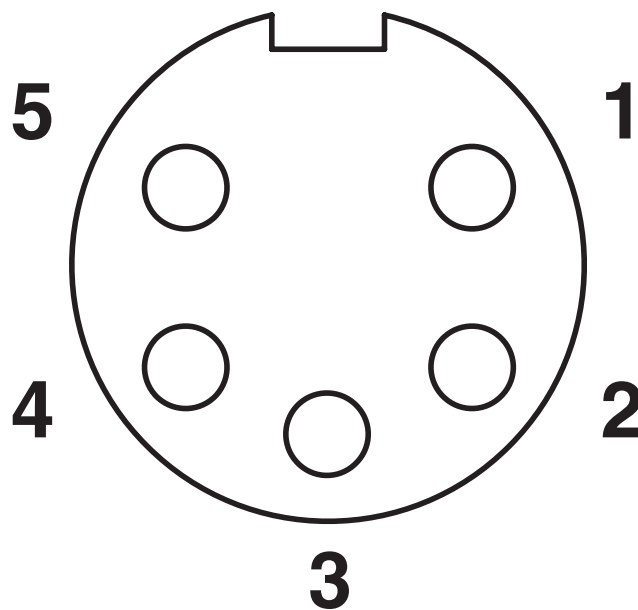
<https://www.phoenixcontact.com/us/products/1609222>

Schematic diagram



Connector pin assignment for PROFINET Push-Pull, power connector, 24 V

Schematic diagram



Pin assignment, socket, 7/8"-16UNF, 5-pos., view of female side

VS-P1220-P1226-C1021/ 2,0 - Cable

1609222

<https://www.phoenixcontact.com/us/products/1609222>



Phoenix Contact 2026 © - all rights reserved
<https://www.phoenixcontact.com>

Phoenix Contact USA
586 Fulling Mill Road
Middletown, PA 17057, United States
(+717) 944-1300
info@phoenixcon.com