

VS-P1211-P1217-C1000/ 1,0 - Fiber optic cable



1608731

<https://www.phoenixcontact.com/us/products/1608731>

Please be informed that the data shown in this PDF document is generated from our online catalog. Please find the complete data in the user documentation. Our general terms of use for downloads are valid.



Assembled PROFINET-FO cable, round cable, polymer fiber 980/1000 μm , SC-RJ/IP67 push-pull metal housing on SC-RJ/IP20, for installation inside buildings, the conductor is suitable for the UV-protected outside insert, length: 1 m

Commercial data

Item number	1608731
Packing unit	1 pc
Note	Made to order (non-returnable)
Sales key	NULL
Product key	ABNMAY
GTIN	4046356161282
Weight per piece (including packing)	160 g
Weight per piece (excluding packing)	160 g
Customs tariff number	85447000
Country of origin	DE

VS-P1211-P1217-C1000/ 1,0 - Fiber optic cable



1608731

<https://www.phoenixcontact.com/us/products/1608731>

Technical data

Product properties

Product type	Data cable preassembled
Sensor type	PROFINET
Number of positions	2

Electrical properties

Attenuation	≤ 1.7 dB (with 660 nm)
Transmission medium	FO

Mechanical properties

Mechanical data

Insertion/withdrawal cycles	≥ 500
-----------------------------	-------

Material specifications

Seal material O-ring	NBR
Seal material Cable seal	TPE
Housing material	Zinc die-cast/PBT
Outer sheath, material	LSFH

Connector

Connection 1

Type	Plug straight SC-RJ
Locking type	Push Pull

Connection 2

Type	Plug straight SC-RJ
------	---------------------

Cable/line

Cable length	1.00 m
Cable weight	67 kg/km
Conductor structure signal line	1000.00 μm
Wire diameter incl. insulation	2.2 mm
External cable diameter	7.50 mm
Outer sheath, material	PE
External sheath, color	green RAL 6018
Single wire, color	black, orange
Smallest bending radius, fixed installation	25 mm
Smallest bending radius, movable installation	25 mm
Halogen-free	yes
Ambient temperature (operation)	-20 °C ... 60 °C (cable, fixed installation) -30 °C ... 70 °C (Cable, flexible installation)

VS-P1211-P1217-C1000/ 1,0 - Fiber optic cable



1608731

<https://www.phoenixcontact.com/us/products/1608731>

FO cable

Number of fibers	2
------------------	---

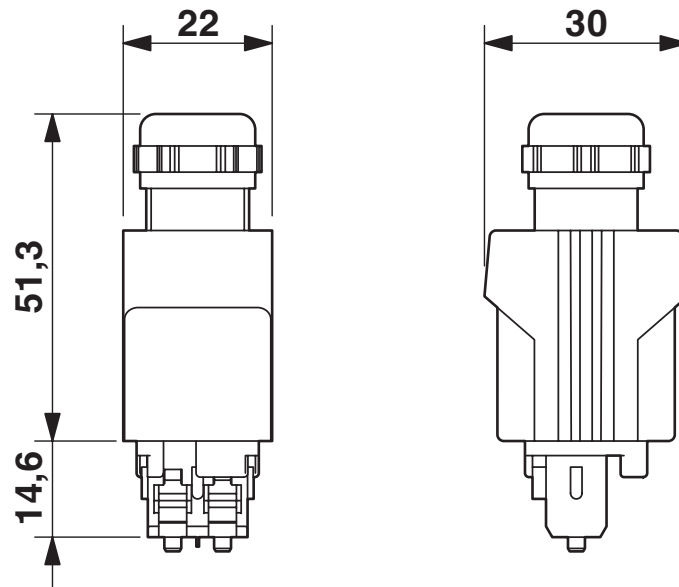
VS-P1211-P1217-C1000/ 1,0 - Fiber optic cable

1608731

<https://www.phoenixcontact.com/us/products/1608731>

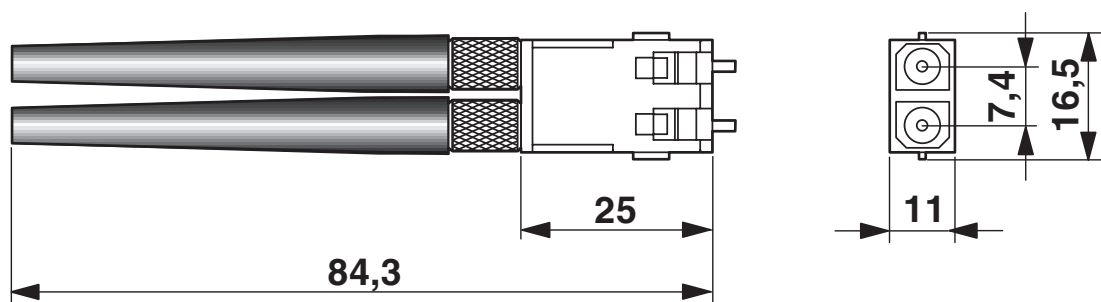
Drawings

Dimensional drawing



SCRJ Push-Pull connector, IP67

Dimensional drawing



SC-RJ connector IP20

1608731

<https://www.phoenixcontact.com/us/products/1608731>

Schematic diagram



Pin assignment plug SCRJ

Schematic diagram



Pin assignment plug SCRJ

VS-P1211-P1217-C1000/ 1,0 - Fiber optic cable



1608731

<https://www.phoenixcontact.com/us/products/1608731>

Environmental product compliance

EU REACH SVHC

REACH candidate substance (CAS No.)	
-------------------------------------	--

	No substance above 0.1 wt%
--	----------------------------

Phoenix Contact 2026 © - all rights reserved
<https://www.phoenixcontact.com>

Phoenix Contact USA
586 Fulling Mill Road
Middletown, PA 17057, United States
(+717) 944-1300
info@phoenixcon.com