

VS-PPC-F2-MSTB-MNNA-1R-SPSB5 - Panel-mount frame



1608252

<https://www.phoenixcontact.com/us/products/1608252>

Please be informed that the data shown in this PDF document is generated from our online catalog. Please find the complete data in the user documentation. Our general terms of use for downloads are valid.



MSTB panel mounting frame, IP67, for push-pull interlocking, metal, with integrated contact insert for conductor connection, spring-cage connection, 400 V, for square mounting cutout, with seal, without mounting screws

Commercial data

Item number	1608252
Packing unit	1 pc
Minimum order quantity	1 pc
Note	Made to order (non-returnable)
Sales key	AB17
Product key	ABNOJA
GTIN	4046356160056
Weight per piece (including packing)	63.9 g
Weight per piece (excluding packing)	61.4 g
Customs tariff number	85366990
Country of origin	DE

VS-PPC-F2-MSTB-MNNA-1R-SPSB5 - Panel-mount frame



1608252

<https://www.phoenixcontact.com/us/products/1608252>

Technical data

Product properties

Product type	Panel-mount frame
Application	Freenet
Type	SCRJ
Number of positions	5

Insulation characteristics

Degree of pollution	2
---------------------	---

Electrical properties

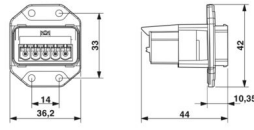
Rated voltage (III/3)	400 V
Rated current	16 A (at 20 °C)

Connection data

Connection technology

Connection method	Spring-cage connection
-------------------	------------------------

Dimensions

Dimensional drawing	
Width	36.2 mm
Height	42 mm
Length	41.9 mm

Material specifications

Color	silver
Material	Metal
Flammability rating according to UL 94	V0
Seal material	NBR
Seal material	NBR
Housing material	Plastic
Housing surface material	nickel-plated

Mechanical properties

Mechanical data

Insertion/withdrawal cycles	≥ 100
-----------------------------	-------

Environmental and real-life conditions

VS-PPC-F2-MSTB-MNNA-1R-SPSB5 - Panel-mount frame



1608252

<https://www.phoenixcontact.com/us/products/1608252>

Ambient conditions

Degree of protection	IP65/IP67
Ambient temperature (operation)	-40 °C ... 70 °C

Mounting

Mounting type	Front mounting
---------------	----------------

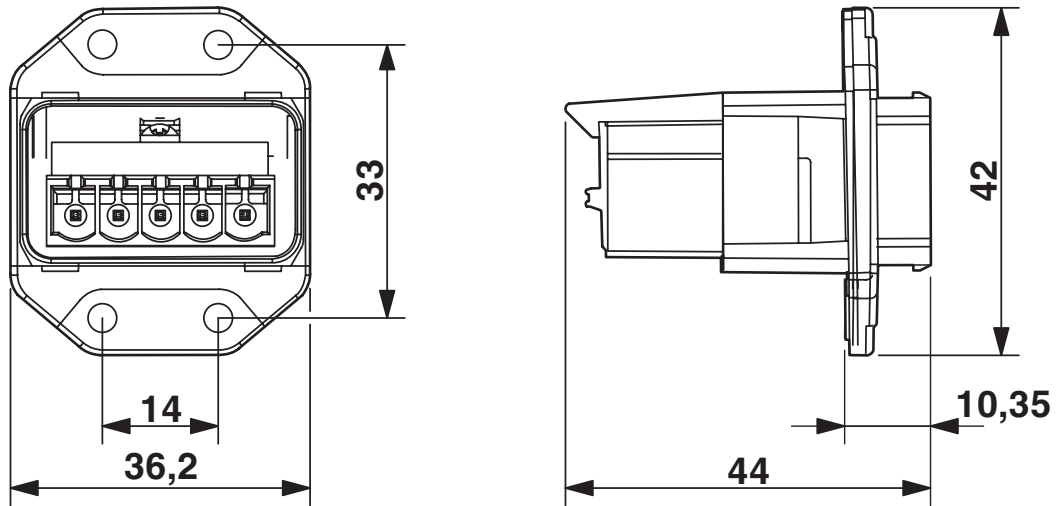
VS-PPC-F2-MSTB-MNNA-1R-SPSB5 - Panel-mount frame

1608252

<https://www.phoenixcontact.com/us/products/1608252>

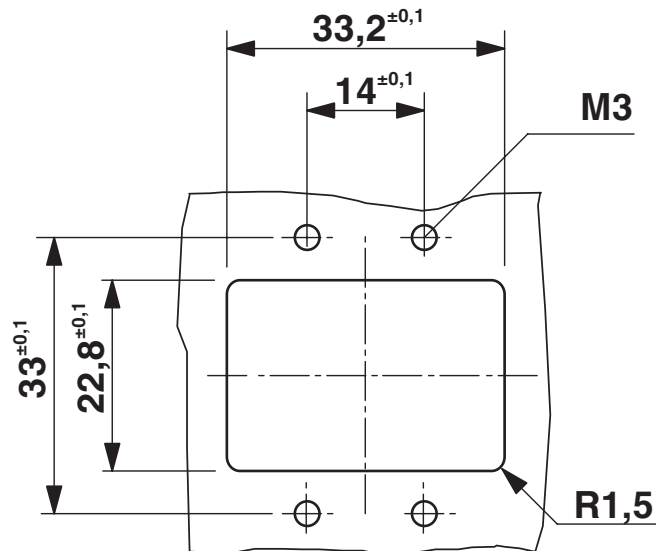
Drawings

Dimensional drawing



Push-Pull MSTB panel mounting frame

Dimensional drawing



Mounting cutout

VS-PPC-F2-MSTB-MNNA-1R-SPSB5 - Panel-mount frame



1608252

<https://www.phoenixcontact.com/us/products/1608252>

Classifications

UNSPSC

UNSPSC 21.0	39121400
-------------	----------

VS-PPC-F2-MSTB-MNNA-1R-SPSB5 - Panel-mount frame



1608252

<https://www.phoenixcontact.com/us/products/1608252>

Environmental product compliance

EU RoHS

Fulfills EU RoHS substance requirements	Yes, No exemptions
---	--------------------

China RoHS

Environment friendly use period (EFUP)	EFUP-E
	No hazardous substances above the limits

EU REACH SVHC

REACH candidate substance (CAS No.)	6,6'-di-tert-butyl-2,2'-methylenedi-p-cresol(CAS: 119-47-1)
-------------------------------------	---

Phoenix Contact 2026 © - all rights reserved
<https://www.phoenixcontact.com>

Phoenix Contact USA
586 Fulling Mill Road
Middletown, PA 17057, United States
(+717) 944-1300
info@phoenixcon.com