

# HC-26P1N1280D2 - Cable connector



1608251

<https://www.phoenixcontact.com/us/products/1608251>

Please be informed that the data shown in this PDF document is generated from our online catalog. Please find the complete data in the user documentation. Our general terms of use for downloads are valid.



Cable connector, application: Signal, straight, Screw locking mechanism, M27, number of positions: 26, contact connection type: Pin, number of positions: 26, connection method: Solder connection, series: HC

## Commercial data

Item number	1608251
Packing unit	12 pc
Minimum order quantity	1 pc
Note	Made to order (non-returnable)
Product key	ABRAJA
GTIN	4046356878999
Weight per piece (including packing)	79.76 g
Weight per piece (excluding packing)	79.76 g
Country of origin	DE

# HC-26P1N1280D2 - Cable connector



1608251

<https://www.phoenixcontact.com/us/products/1608251>

## Technical data

### Product properties

Product type	Circular connector (cable-side)
Series	HC
Application	Signal
Number of positions	26
Connection profile	26
Coding	N
Thread type	M27

### Material specifications

Seal material	FPM or NBR or EPDM
Housing material	Metal

### Connection data

#### Conductor connection

Connection method	Solder connection
-------------------	-------------------

### Electrical properties

#### Contact

Contact diameter	1 mm
Min. cross section	0.08 mm <sup>2</sup>
Max. cross section	1 mm <sup>2</sup>
Nominal current I <sub>N</sub>	8 A
Nominal voltage U <sub>N</sub>	150 V
Overvoltage category	II
Degree of pollution	3
Rated surge voltage	1.5 kV

### Connector

Type	straight
Direction of rotation	Standard

### Environmental and real-life conditions

#### Ambient conditions

Degree of protection	IP67, when plugged in
Ambient temperature (operation)	-20 °C ... 125 °C
Altitude	2000 m

# HC-26P1N1280D2 - Cable connector

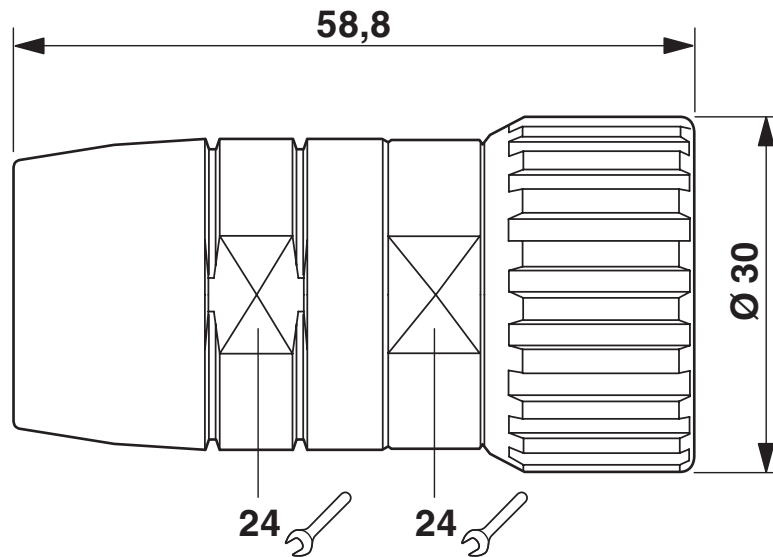
1608251

<https://www.phoenixcontact.com/us/products/1608251>



## Drawings

Dimensional drawing



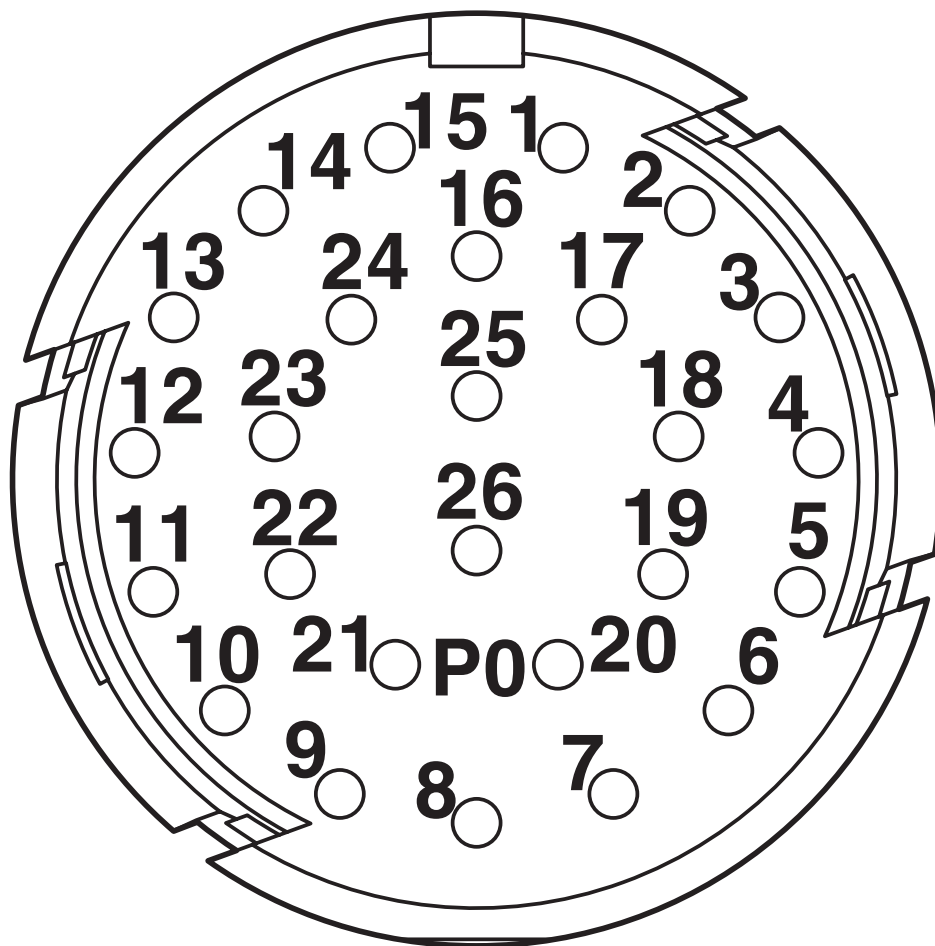
# HC-26P1N1280D2 - Cable connector



1608251

<https://www.phoenixcontact.com/us/products/1608251>

Schematic diagram



Phoenix Contact 2026 © - all rights reserved  
<https://www.phoenixcontact.com>

Phoenix Contact USA  
586 Fulling Mill Road  
Middletown, PA 17057, United States  
(+717) 944-1300  
[info@phoenixcon.com](mailto:info@phoenixcon.com)