

VS-PPC-C2-MSTB-POBK-P13-B5-SP - Power connector



1608236

<https://www.phoenixcontact.com/us/products/1608236>

Please be informed that the data shown in this PDF document is generated from our online catalog. Please find the complete data in the user documentation. Our general terms of use for downloads are valid.



Power connector, degree of protection: IP65, number of positions: 5, material: PA-GF, connection method: Spring-cage connection, connection cross section: AWG 18- 13, cable outlet: straight, color: black, Universal

Commercial data

Item number	1608236
Packing unit	1 pc
Note	Made to order (non-returnable)
Sales key	NULL
Product key	ABNOHA
GTIN	4046356159876
Weight per piece (including packing)	42.2 g
Weight per piece (excluding packing)	39.14 g
Customs tariff number	85366990
Country of origin	DE

VS-PPC-C2-MSTB-POBK-P13-B5-SP - Power connector



1608236

<https://www.phoenixcontact.com/us/products/1608236>

Technical data

Product properties

Product type	Data plug
Number of positions	5
Connection profile	MSTB
Cable outlet	straight

Insulation characteristics

Degree of pollution	2
---------------------	---

Electrical properties

Rated voltage (III/3)	400 V
Rated current	16 A (at 20 °C)
Nominal voltage U_N	400 V
Nominal current I_N	16 A

Connection data

Connection method	Spring-cage connection
-------------------	------------------------

Interfaces

Signal type/category	Universal
----------------------	-----------

Material specifications

Color	black
Material	Plastic
Flammability rating according to UL 94	V0
Seal material	NBR
Housing material	PA-GF
Cable seal material	TPE
Contact material	Copper alloy
Contact surface material	Gold over nickel
Contact carrier material	PA

Cable/line

Signal type/category	Universal
External cable diameter	9 mm ... 13 mm

Mechanical properties

Mechanical data

Insertion/withdrawal cycles	≥ 100
-----------------------------	------------

Environmental and real-life conditions

Ambient conditions

VS-PPC-C2-MSTB-POBK-P13-B5-SP - Power connector



1608236

<https://www.phoenixcontact.com/us/products/1608236>

Degree of protection	IP65
	IP65
Ambient temperature (operation)	-40 °C ... 70 °C

VS-PPC-C2-MSTB-POBK-P13-B5-SP - Power connector

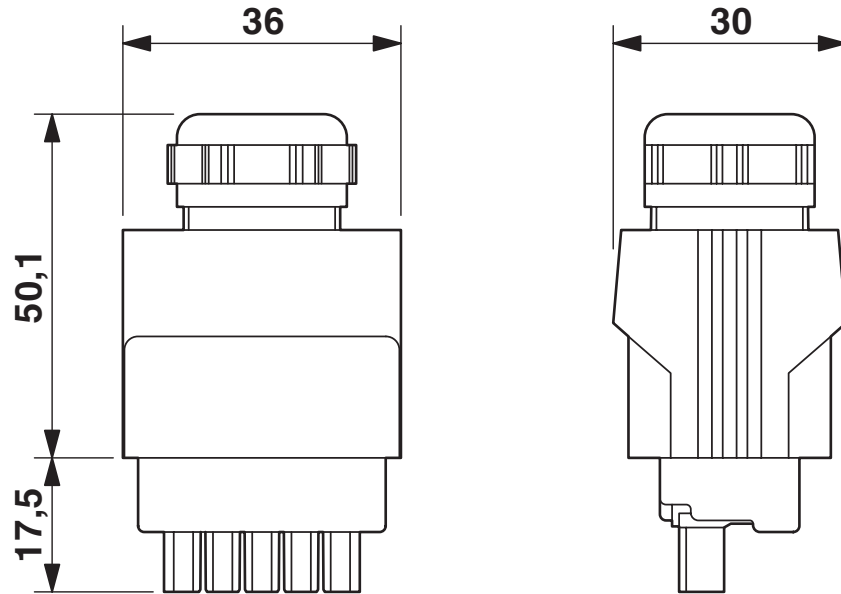


1608236

<https://www.phoenixcontact.com/us/products/1608236>

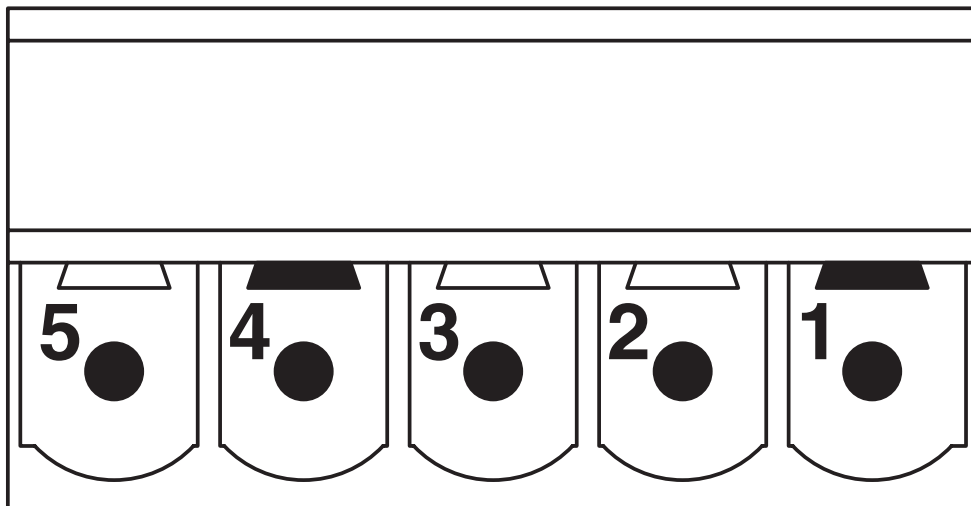
Drawings

Dimensional drawing



Push-Pull connector

Schematic diagram



Connector pin assignment for PROFINET Push-Pull, power connector, 400 V

VS-PPC-C2-MSTB-POBK-P13-B5-SP - Power connector



1608236

<https://www.phoenixcontact.com/us/products/1608236>

Environmental product compliance

EU RoHS

Fulfills EU RoHS substance requirements	Yes, No exemptions
---	--------------------

China RoHS

Environment friendly use period (EFUP)	EFUP-E
	No hazardous substances above the limits

EU REACH SVHC

REACH candidate substance (CAS No.)	No substance above 0.1 wt%
-------------------------------------	----------------------------

Phoenix Contact 2026 © - all rights reserved
<https://www.phoenixcontact.com>

Phoenix Contact USA
586 Fulling Mill Road
Middletown, PA 17057, United States
(+717) 944-1300
info@phoenixcon.com