

# VS-PPC-F1-SCRJ-POBK-1RF - Panel-mount frame



1608210

<https://www.phoenixcontact.com/us/products/1608210>

Please be informed that the data shown in this PDF document is generated from our online catalog. Please find the complete data in the user documentation. Our general terms of use for downloads are valid.



SC-RJ panel mounting frame, IP67, for push-pull interlocking, plastic, with Freenet system, for rectangular mounting cutout, with seal and SC-RJ coupling (for POF, PCF, and GOF), without mounting screws

## Commercial data

Item number	1608210
Packing unit	1 pc
Minimum order quantity	1 pc
Sales key	AB17
Product key	ABNODE
GTIN	4046356159890
Weight per piece (including packing)	16.5 g
Weight per piece (excluding packing)	16 g
Customs tariff number	85367000
Country of origin	DE

# VS-PPC-F1-SCRJ-POBK-1RF - Panel-mount frame



1608210

<https://www.phoenixcontact.com/us/products/1608210>

## Technical data

### Product properties

Product type	Panel-mount frame
Application	Freenet
Type	SC-RJ
Number of positions	2
Connection profile	SC-RJ
Number of slots	1

### Insulation characteristics

Degree of pollution	2
---------------------	---

### Electrical properties

Transmission medium	FO
---------------------	----

### Connection data

#### Connection technology

Connection method	Spring-cage connection
-------------------	------------------------

### Dimensions

Dimensional drawing	
Width	22.2 mm
Height	42 mm

### Material specifications

Color	black
Material	Plastic
Flammability rating according to UL 94	V0
Seal material	NBR
Housing material	Plastic
Housing surface material	PA, light gray
Contact surface material	Au/Ni
Contact carrier material	Polyester GF

### Cable/line

#### FO cable

Number of fibers	2
Fiber	POF, PCF, GOF

# VS-PPC-F1-SCRJ-POBK-1RF - Panel-mount frame



1608210

<https://www.phoenixcontact.com/us/products/1608210>

Fiber type	GOF, PCF, POF
Transmission medium	FO

## Mechanical properties

### Mechanical data

Insertion/withdrawal cycles	≥ 500
-----------------------------	-------

## Environmental and real-life conditions

### Ambient conditions

Degree of protection	IP67 (IP65/67)
	IP65/IP67
Ambient temperature (operation)	-20 °C ... 70 °C

## Mounting

Mounting type	Front mounting
---------------	----------------

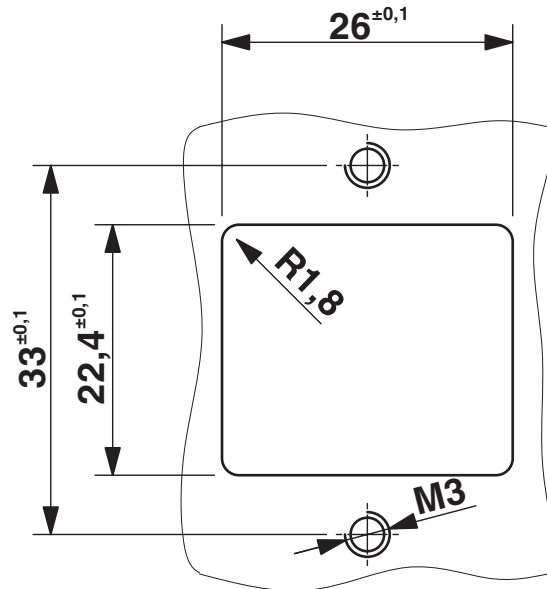
# VS-PPC-F1-SCRJ-POBK-1RF - Panel-mount frame

1608210

<https://www.phoenixcontact.com/us/products/1608210>

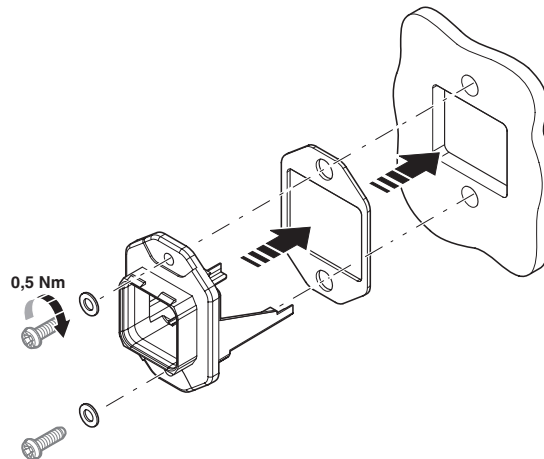
## Drawings

Dimensional drawing



## Mounting cutout

Exploded view



# VS-PPC-F1-SCRJ-POBK-1RF - Panel-mount frame



1608210

<https://www.phoenixcontact.com/us/products/1608210>

## Classifications

### ECLASS

ECLASS-13.0	27440210
ECLASS-15.0	27440210

### ETIM

ETIM 10.0	EC002310
-----------	----------

### UNSPSC

UNSPSC 21.0	39121400
-------------	----------

# VS-PPC-F1-SCRJ-POBK-1RF - Panel-mount frame



1608210

<https://www.phoenixcontact.com/us/products/1608210>

## Environmental product compliance

### EU RoHS

Fulfills EU RoHS substance requirements	Yes, No exemptions
---	--------------------

### China RoHS

Environment friendly use period (EFUP)	EFUP-E
	No hazardous substances above the limits

### EU REACH SVHC

REACH candidate substance (CAS No.)	No substance above 0.1 wt%
-------------------------------------	----------------------------

### EF3.1 Climate Change

CO2e kg	1.196 kg CO2e
---------	---------------

Phoenix Contact 2026 © - all rights reserved  
<https://www.phoenixcontact.com>

Phoenix Contact USA  
586 Fulling Mill Road  
Middletown, PA 17057, United States  
(+717) 944-1300  
[info@phoenixcon.com](mailto:info@phoenixcon.com)