

VS-PPC-C1-PC67-POBK - Protective cover



1608155

<https://www.phoenixcontact.com/us/products/1608155>

Please be informed that the data shown in this PDF document is generated from our online catalog. Please find the complete data in the user documentation. Our general terms of use for downloads are valid.

Protective cover, IP67, to cover the contact insert in the RJ45 and SC-RJ push-pull panel mounting frames



Commercial data

Item number	1608155
Packing unit	1 pc
Minimum order quantity	1 pc
Sales key	AB17
Product key	ABNODZ
GTIN	4046356159999
Weight per piece (including packing)	22.8 g
Weight per piece (excluding packing)	21 g
Customs tariff number	39269097
Country of origin	DE

VS-PPC-C1-PC67-POBK - Protective cover



1608155

<https://www.phoenixcontact.com/us/products/1608155>

Technical data

Product properties

Product type	Protective cover
Application	RJ45 and SCRJ

Dimensions

Width	22 mm
Height	30 mm
Length	57 mm

Material specifications

Color	black
Material	Plastic
Flammability rating according to UL 94	V0
Seal material, O-ring	NBR
Seal material cable seal	TPE
Seal material	NBR
Seal material, pin connector pattern	NBR
Housing material	PA-GF
O-ring material	NBR
Material for screw connection	PA

Mechanical properties

Mechanical data

Insertion/withdrawal cycles	≥ 500
-----------------------------	-------

Environmental and real-life conditions

Ambient conditions

Degree of protection	IP65/IP67
Ambient temperature (operation)	-40 °C ... 70 °C

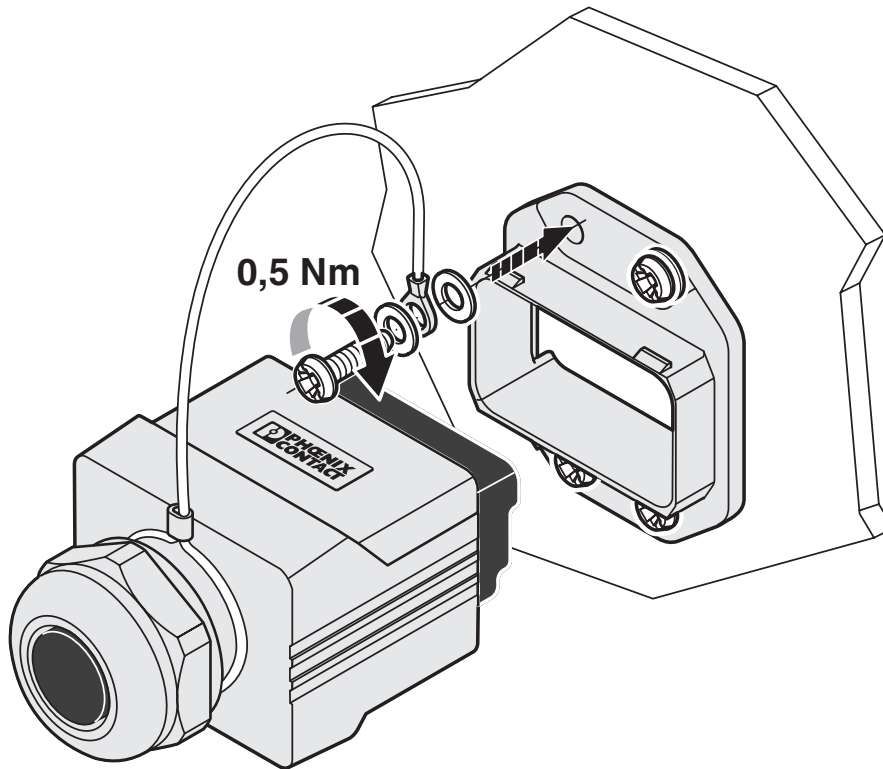
VS-PPC-C1-PC67-POBK - Protective cover

1608155

<https://www.phoenixcontact.com/us/products/1608155>

Drawings

Exploded view



Mounting the protective cover

VS-PPC-C1-PC67-POBK - Protective cover



1608155

<https://www.phoenixcontact.com/us/products/1608155>

Classifications

ECLASS

ECLASS-13.0	27440208
ECLASS-15.0	27440208

ETIM

ETIM 10.0	EC002314
-----------	----------

UNSPSC

UNSPSC 21.0	39121400
-------------	----------

VS-PPC-C1-PC67-POBK - Protective cover



1608155

<https://www.phoenixcontact.com/us/products/1608155>

Environmental product compliance

EU RoHS

Fulfills EU RoHS substance requirements	Yes, No exemptions
---	--------------------

China RoHS

Environment friendly use period (EFUP)	EFUP-E
	No hazardous substances above the limits

EU REACH SVHC

REACH candidate substance (CAS No.)	6,6'-di-tert-butyl-2,2'-methylenedi-p-cresol(CAS: 119-47-1)
SCIP	86267c9e-264f-423a-a46d-8d2151470c16

Phoenix Contact 2026 © - all rights reserved

<https://www.phoenixcontact.com>

Phoenix Contact USA
586 Fulling Mill Road
Middletown, PA 17057, United States
(+717) 944-1300
info@phoenixcon.com