

VS-PPC-F2-MSTB-MNNA-1R-P - Panel-mount frame



1608087

<https://www.phoenixcontact.com/us/products/1608087>

Please be informed that the data shown in this PDF document is generated from our online catalog. Please find the complete data in the user documentation. Our general terms of use for downloads are valid.



MSTB panel mounting frame, IP67, for push-pull interlocking, metal, for PCB connection, for square panel cutout, with grommet, without mounting screws

Commercial data

Item number	1608087
Packing unit	1 pc
Minimum order quantity	1 pc
Sales key	AB17
Product key	ABNOJA
GTIN	4046356131759
Weight per piece (including packing)	24.814 g
Weight per piece (excluding packing)	22.066 g
Customs tariff number	85389099
Country of origin	DE

1608087

<https://www.phoenixcontact.com/us/products/1608087>

Technical data

Product properties

Product type	Panel-mount frame
Application	Power PCB connection
Type	Version 14
Connection profile	unassembled

Insulation characteristics

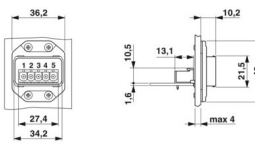
Degree of pollution	2
---------------------	---

Connection data

Connection technology

Connection method	Push-Pull
-------------------	-----------

Dimensions

Dimensional drawing		
Width	36.2 mm	
Height	42 mm	
Length	17.5 mm	

Material specifications

Color	silver
Material	Metal
Flammability rating according to UL 94	V0
Seal material	NBR
Housing material	Metal
Housing surface material	nickel-plated

Mechanical properties

Mechanical data

Insertion/withdrawal cycles	≥ 500
-----------------------------	-------

Environmental and real-life conditions

Ambient conditions

Degree of protection	IP65/IP67
Ambient temperature (operation)	-40 °C ... 80 °C

Mounting

VS-PPC-F2-MSTB-MNNA-1R-P - Panel-mount frame



1608087

<https://www.phoenixcontact.com/us/products/1608087>

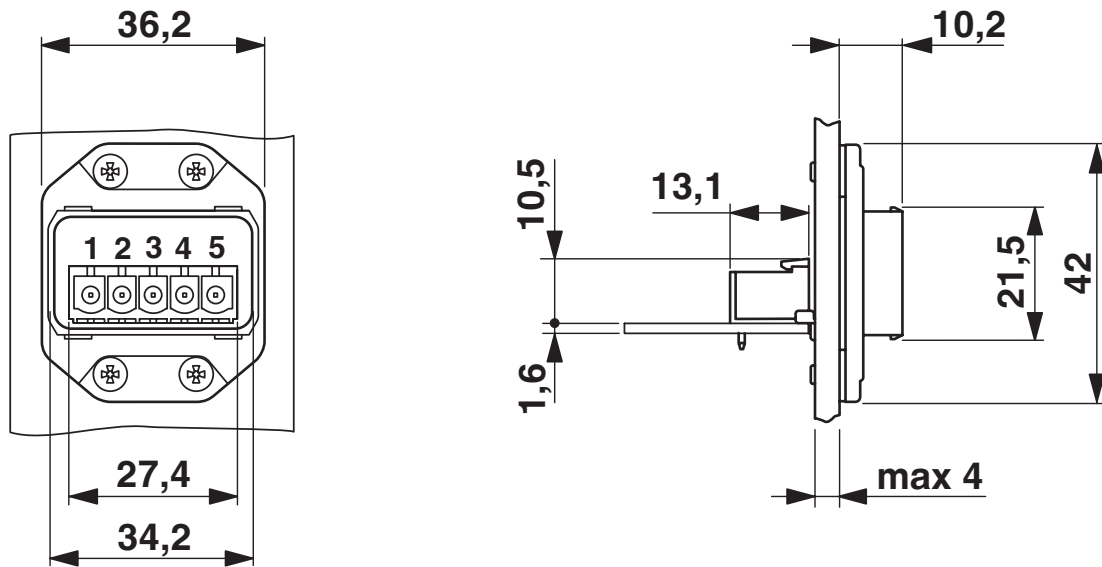
Mounting type	Panel mounting
---------------	----------------

1608087

<https://www.phoenixcontact.com/us/products/1608087>

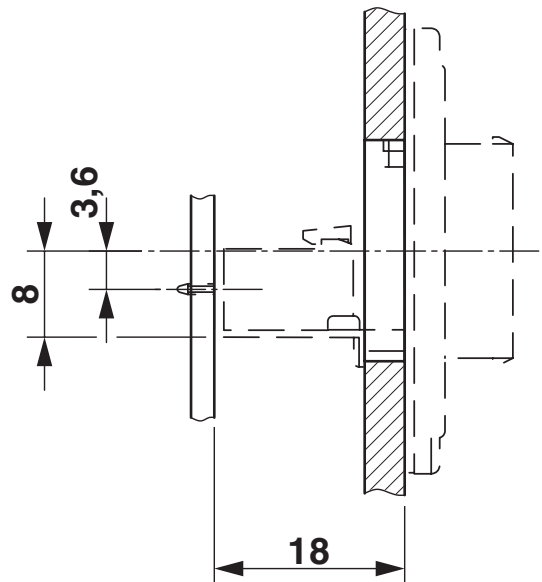
Drawings

Dimensional drawing



PROFINET POWER panel mounting frame, IP67

Dimensional drawing



PCB alignment, straight solder pins

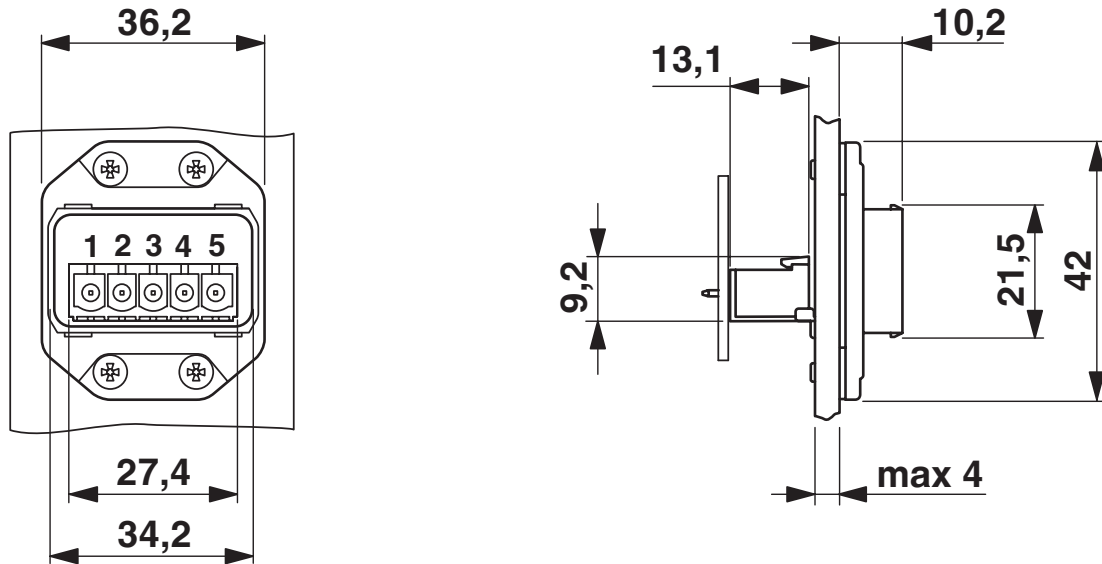
VS-PPC-F2-MSTB-MNNA-1R-P - Panel-mount frame



1608087

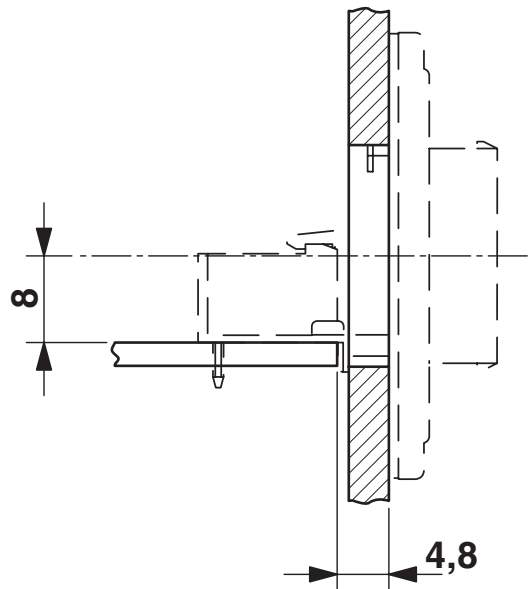
<https://www.phoenixcontact.com/us/products/1608087>

Dimensional drawing



PROFINET POWER panel mounting frame, IP67

Dimensional drawing



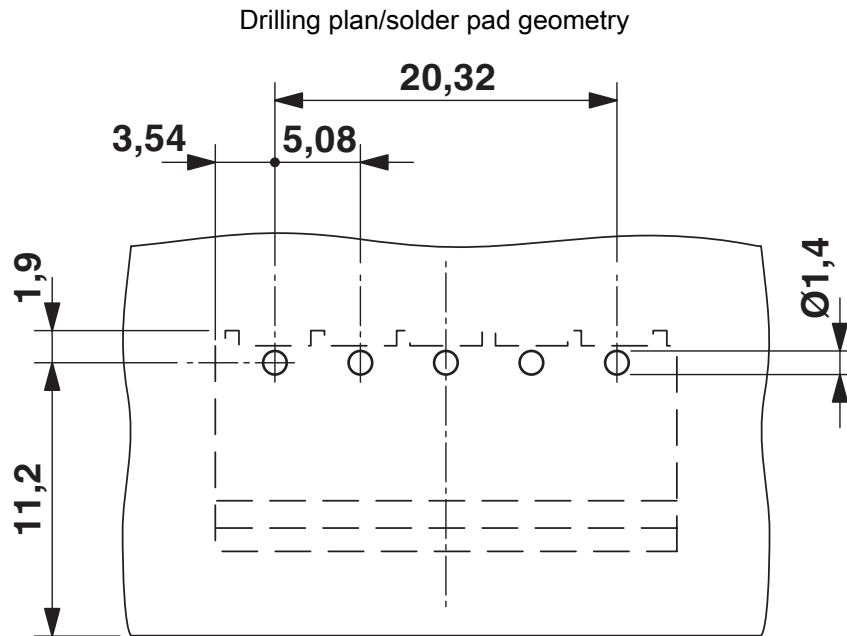
PCB alignment, angled solder pins

VS-PPC-F2-MSTB-MNNA-1R-P - Panel-mount frame

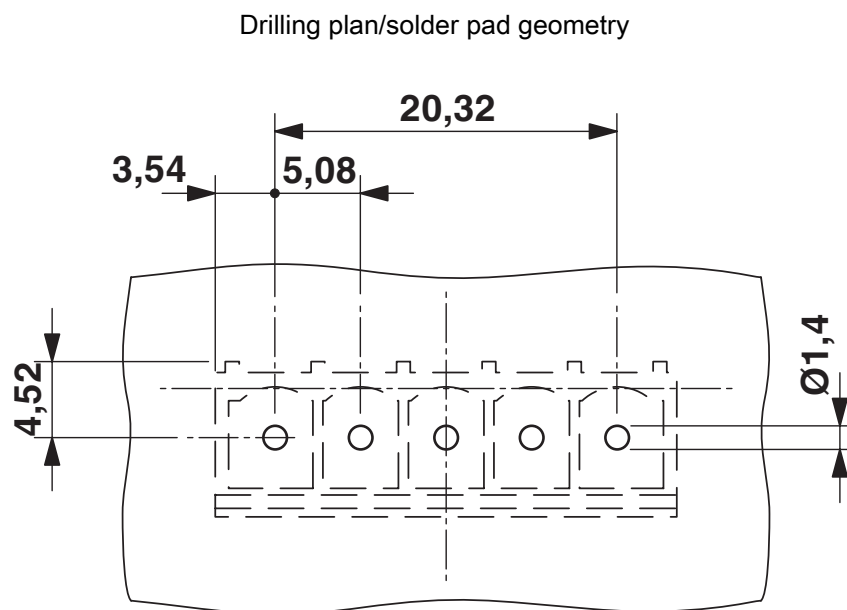


1608087

<https://www.phoenixcontact.com/us/products/1608087>



Drilling diagram



Drilling diagram

VS-PPC-F2-MSTB-MNNA-1R-P - Panel-mount frame



1608087

<https://www.phoenixcontact.com/us/products/1608087>

Classifications

ECLASS

ECLASS-13.0	27440210
ECLASS-15.0	27440210

ETIM

ETIM 10.0	EC002310
-----------	----------

UNSPSC

UNSPSC 21.0	39121400
-------------	----------

1608087

<https://www.phoenixcontact.com/us/products/1608087>

Environmental product compliance

EU RoHS

Fulfills EU RoHS substance requirements	Yes, No exemptions
---	--------------------

China RoHS

Environment friendly use period (EFUP)	EFUP-E
	No hazardous substances above the limits

EU REACH SVHC

REACH candidate substance (CAS No.)	6,6'-di-tert-butyl-2,2'-methylenedi-p-cresol(CAS: 119-47-1)
SCIP	e05d0456-f3a3-476b-b119-45e7e3765260

Phoenix Contact 2026 © - all rights reserved

<https://www.phoenixcontact.com>

Phoenix Contact USA
586 Fulling Mill Road
Middletown, PA 17057, United States
(+717) 944-1300
info@phoenixcon.com