

# VS-PPC-F1-SCRJ-MNNA-1RP - Panel-mount frame



1608061

<https://www.phoenixcontact.com/us/products/1608061>

Please be informed that the data shown in this PDF document is generated from our online catalog. Please find the complete data in the user documentation. Our general terms of use for downloads are valid.



SC-RJ panel mounting frame, IP67, for push-pull interlocking, metal, for transceiver, for square panel cutout, with grommet, without mounting screws

## Commercial data

Item number	1608061
Packing unit	1 pc
Minimum order quantity	1 pc
Sales key	AB17
Product key	ABNODF
GTIN	4046356131735
Weight per piece (including packing)	15.863 g
Weight per piece (excluding packing)	14.5 g
Customs tariff number	85389099
Country of origin	DE

# VS-PPC-F1-SCRJ-MNNA-1RP - Panel-mount frame



1608061

<https://www.phoenixcontact.com/us/products/1608061>

## Technical data

### Product properties

Product type	Panel-mount frame
Application	SCRJ PCB connection
Type	SC-RJ
Number of positions	2
Connection profile	SC-RJ
Cable outlet	straight

### Insulation characteristics

Degree of pollution	2
---------------------	---

### Electrical properties

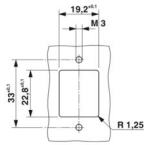
Transmission medium	FO
---------------------	----

### Connection data

#### Connection technology

Connection method	Push-Pull
-------------------	-----------

### Dimensions

Dimensional drawing	
Width	22.2 mm
Height	42 mm

### Mechanical characteristics

Ferrule diameter	2.50 mm
------------------	---------

### Material specifications

Color	silver
Material	Metal
Flammability rating according to UL 94	V0
Seal material	NBR
Housing material	Metal
Housing surface material	nickel-plated

### Cable/line

Resistance to oil	yes
Flame resistance	yes

# VS-PPC-F1-SCRJ-MNNA-1RP - Panel-mount frame



1608061

<https://www.phoenixcontact.com/us/products/1608061>

## FO cable

Number of fibers	2
Fiber	POF, PCF, GOF
Fiber type	GOF, PCF, POF
Transmission medium	FO

## Mechanical properties

### Mechanical data

Insertion/withdrawal cycles	≥ 500
-----------------------------	-------

## Environmental and real-life conditions

### Ambient conditions

Degree of protection	IP65/IP67
Ambient temperature (operation)	-40 °C ... 80 °C
Ambient temperature (storage/transport)	-40 °C ... 70 °C
Ambient temperature (assembly)	0 °C ... 50 °C
Resistance to oil	yes

## Standards and regulations

Flame resistance	yes
Resistance to oil	yes

## Mounting

Mounting type	Panel mounting
---------------	----------------

# VS-PPC-F1-SCRJ-MNNA-1RP - Panel-mount frame

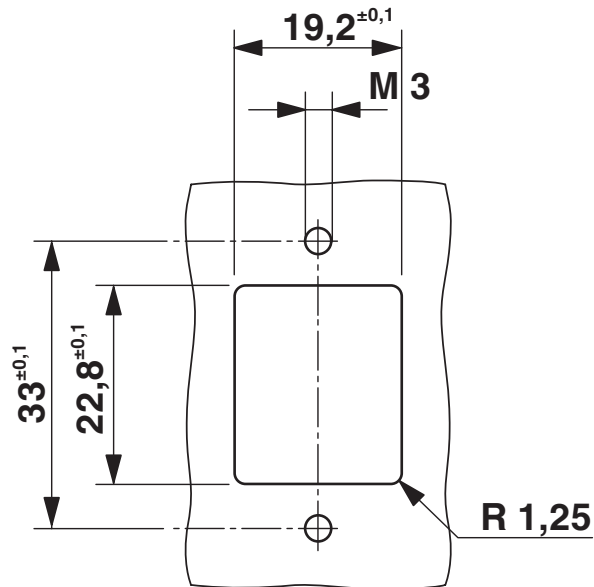


1608061

<https://www.phoenixcontact.com/us/products/1608061>

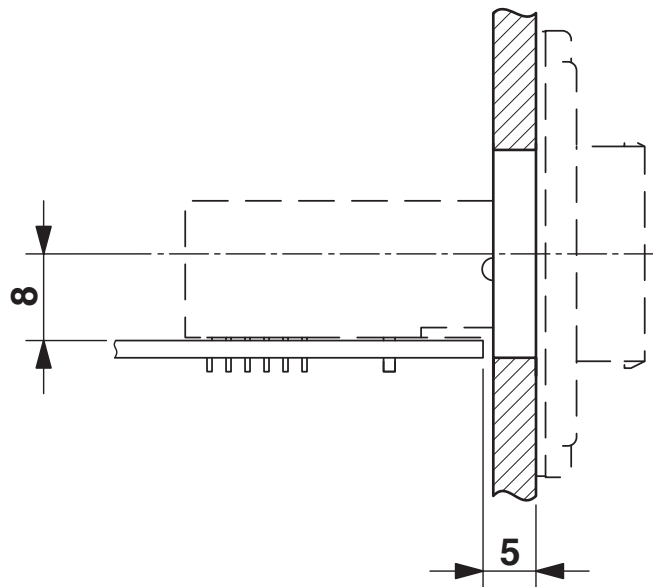
## Drawings

Dimensional drawing



Mounting cutout

Dimensional drawing



Mounting cutout

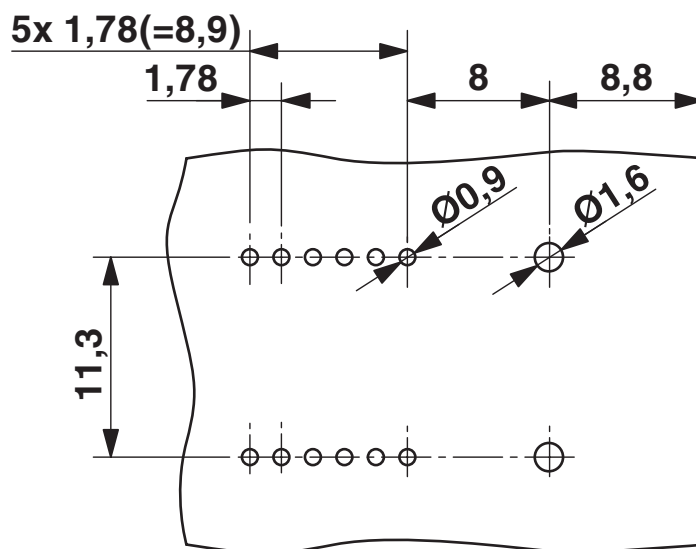
# VS-PPC-F1-SCRJ-MNNA-1RP - Panel-mount frame



1608061

<https://www.phoenixcontact.com/us/products/1608061>

Drilling plan/solder pad geometry



Drilling diagram

# VS-PPC-F1-SCRJ-MNNA-1RP - Panel-mount frame



1608061

<https://www.phoenixcontact.com/us/products/1608061>

## Approvals

To download certificates, visit the product detail page: <https://www.phoenixcontact.com/us/products/1608061>



**EAC**

Approval ID: 7500651.22.01.00246

# VS-PPC-F1-SCRJ-MNNA-1RP - Panel-mount frame



1608061

<https://www.phoenixcontact.com/us/products/1608061>

## Classifications

### ECLASS

ECLASS-13.0	27440210
ECLASS-15.0	27440210

### ETIM

ETIM 10.0	EC002310
-----------	----------

### UNSPSC

UNSPSC 21.0	39121400
-------------	----------

# VS-PPC-F1-SCRJ-MNNA-1RP - Panel-mount frame



1608061

<https://www.phoenixcontact.com/us/products/1608061>

## Environmental product compliance

### EU RoHS

Fulfills EU RoHS substance requirements	Yes, No exemptions
---	--------------------

### China RoHS

Environment friendly use period (EFUP)	EFUP-E
	No hazardous substances above the limits

### EU REACH SVHC

REACH candidate substance (CAS No.)	No substance above 0.1 wt%
-------------------------------------	----------------------------

### EF3.1 Climate Change

CO2e kg	0.147 kg CO2e
---------	---------------

Phoenix Contact 2026 © - all rights reserved  
<https://www.phoenixcontact.com>

Phoenix Contact USA  
586 Fulling Mill Road  
Middletown, PA 17057, United States  
(+717) 944-1300  
[info@phoenixcon.com](mailto:info@phoenixcon.com)