

# VS-PPC-F1-RJ45-MNNA-1R-PHA - Panel-mount frame



1608029

<https://www.phoenixcontact.com/us/products/1608029>

Please be informed that the data shown in this PDF document is generated from our online catalog. Please find the complete data in the user documentation. Our general terms of use for downloads are valid.



RJ45 panel mounting frame, IP67, for push-pull interlocking, metal, for PCB connection, for square panel cutout, with grommet, without mounting screws

## Commercial data

Item number	1608029
Packing unit	1 pc
Minimum order quantity	1 pc
Sales key	AB17
Product key	ABNODC
GTIN	4046356131698
Weight per piece (including packing)	17.8 g
Weight per piece (excluding packing)	16.4 g
Customs tariff number	85366990
Country of origin	DE

# VS-PPC-F1-RJ45-MNNA-1R-PHA - Panel-mount frame

1608029

<https://www.phoenixcontact.com/us/products/1608029>

## Technical data

### Product properties

Product type	Panel-mount frame
Application	RJ45 PCB connection
Type	RJ45
Number of positions	8
Connection profile	RJ45

### Insulation characteristics

Degree of pollution	2
---------------------	---

### Electrical properties

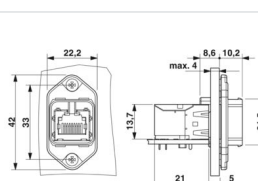
Transmission medium	Copper
---------------------	--------

### Connection data

#### Connection technology

Connection method	Push-Pull
-------------------	-----------

### Dimensions

Dimensional drawing	
Width	22.2 mm
Height	42 mm
Length	18.8 mm

### Material specifications

Color	nickel-plated
Material	Metal
Flammability rating according to UL 94	V0
Seal material	NBR
Seal material	NBR
Housing material	Metal
Housing surface material	nickel-plated

### Mechanical properties

#### Mechanical data

Insertion/withdrawal cycles	≥ 500
-----------------------------	-------

### Environmental and real-life conditions

# VS-PPC-F1-RJ45-MNNA-1R-PHA - Panel-mount frame



1608029

<https://www.phoenixcontact.com/us/products/1608029>

## Ambient conditions

Degree of protection	IP65/IP67
Ambient temperature (operation)	-40 °C ... 70 °C

## Mounting

Mounting type	Panel mounting
---------------	----------------

# VS-PPC-F1-RJ45-MNNA-1R-PHA - Panel-mount frame

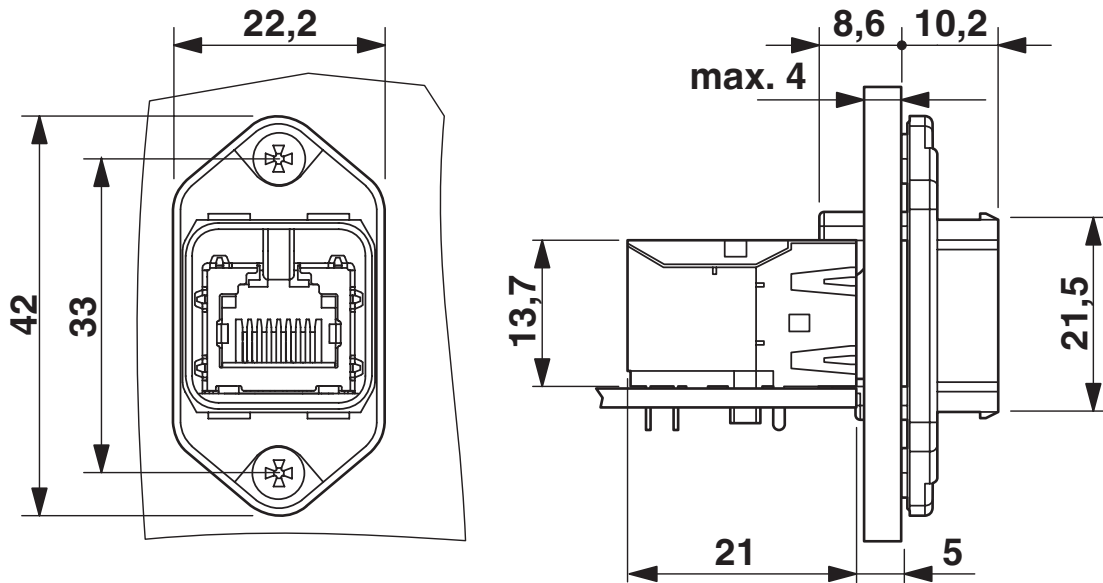


1608029

<https://www.phoenixcontact.com/us/products/1608029>

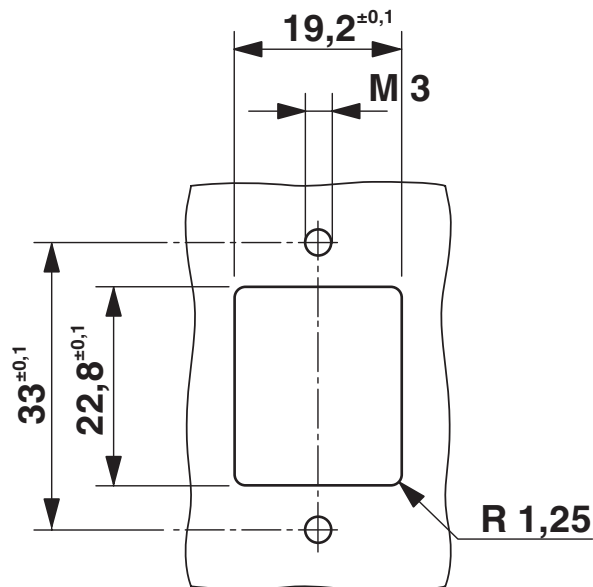
## Drawings

Dimensional drawing



Push-Pull panel mounting frame RJ45

Dimensional drawing



Mounting cutout

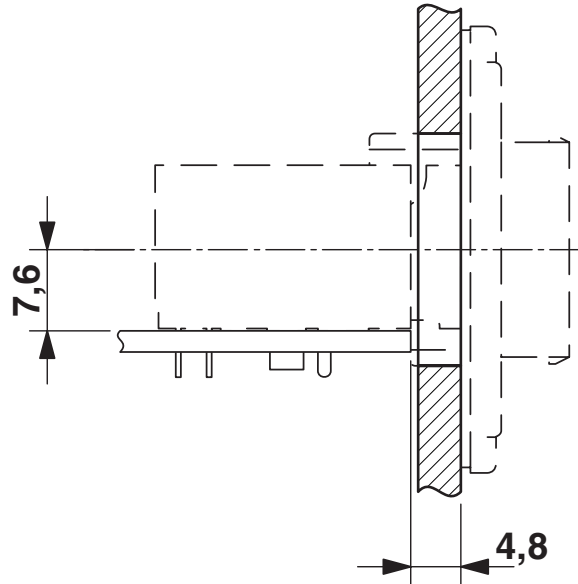
# VS-PPC-F1-RJ45-MNNA-1R-PHA - Panel-mount frame



1608029

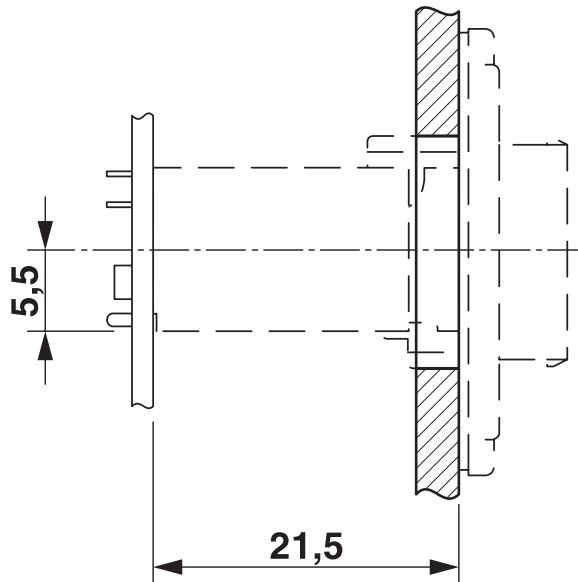
<https://www.phoenixcontact.com/us/products/1608029>

Dimensional drawing



Mounting cutout

Dimensional drawing



Mounting cutout

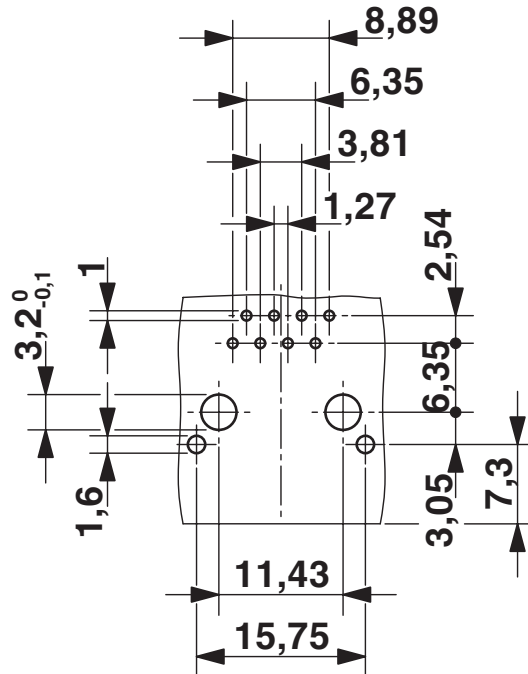
# VS-PPC-F1-RJ45-MNNA-1R-PHA - Panel-mount frame



1608029

<https://www.phoenixcontact.com/us/products/1608029>

Drilling plan/solder pad geometry



Drilling diagram

# VS-PPC-F1-RJ45-MNNA-1R-PHA - Panel-mount frame



1608029

<https://www.phoenixcontact.com/us/products/1608029>

## Classifications

### ECLASS

ECLASS-13.0	27440210
ECLASS-15.0	27440210

### ETIM

ETIM 10.0	EC002310
-----------	----------

### UNSPSC

UNSPSC 21.0	39121400
-------------	----------

# VS-PPC-F1-RJ45-MNNA-1R-PHA - Panel-mount frame



1608029

<https://www.phoenixcontact.com/us/products/1608029>

## Environmental product compliance

### EU RoHS

Fulfills EU RoHS substance requirements	Yes, No exemptions
---	--------------------

### China RoHS

Environment friendly use period (EFUP)	EFUP-E
	No hazardous substances above the limits

### EU REACH SVHC

REACH candidate substance (CAS No.)	No substance above 0.1 wt%
-------------------------------------	----------------------------

### EF3.1 Climate Change

CO2e kg	0.152 kg CO2e
---------	---------------

Phoenix Contact 2026 © - all rights reserved  
<https://www.phoenixcontact.com>

Phoenix Contact USA  
586 Fulling Mill Road  
Middletown, PA 17057, United States  
(+717) 944-1300  
[info@phoenixcon.com](mailto:info@phoenixcon.com)