

# SM-Z0003 - Square mounting flange with O-ring



1607935

<https://www.phoenixcontact.com/us/products/1607935>

Please be informed that the data shown in this PDF document is generated from our online catalog. Please find the complete data in the user documentation. Our general terms of use for downloads are valid.



Square mounting flange with O-ring, Axial O-ring, series: SM, this item is expected to be lead-free from Q2 2026 in accordance with RoHS II without exception 6c (Pb < 0.1%), a lead-free alternative is possible on request in advance

## Commercial data

Item number	1607935
Packing unit	1 pc
Minimum order quantity	1 pc
Note	Made to order (non-returnable)
Sales key	AB36
Product key	ABRGDA
GTIN	4046356271622
Weight per piece (including packing)	85.85 g
Weight per piece (excluding packing)	56.95 g
Customs tariff number	85389099
Country of origin	DE

# SM-Z0003 - Square mounting flange with O-ring



1607935

<https://www.phoenixcontact.com/us/products/1607935>

## Technical data

### Product properties

Product type	Mounting material
Series	SM

### Mounting

Mounting type	Screw mounting
---------------	----------------

# SM-Z0003 - Square mounting flange with O-ring

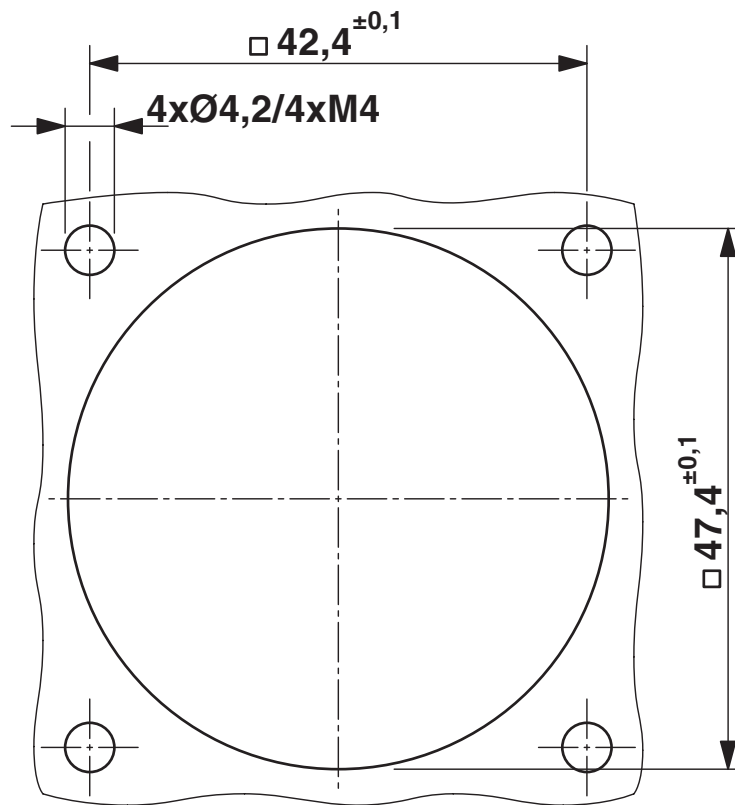
1607935

<https://www.phoenixcontact.com/us/products/1607935>



## Drawings

Dimensional drawing

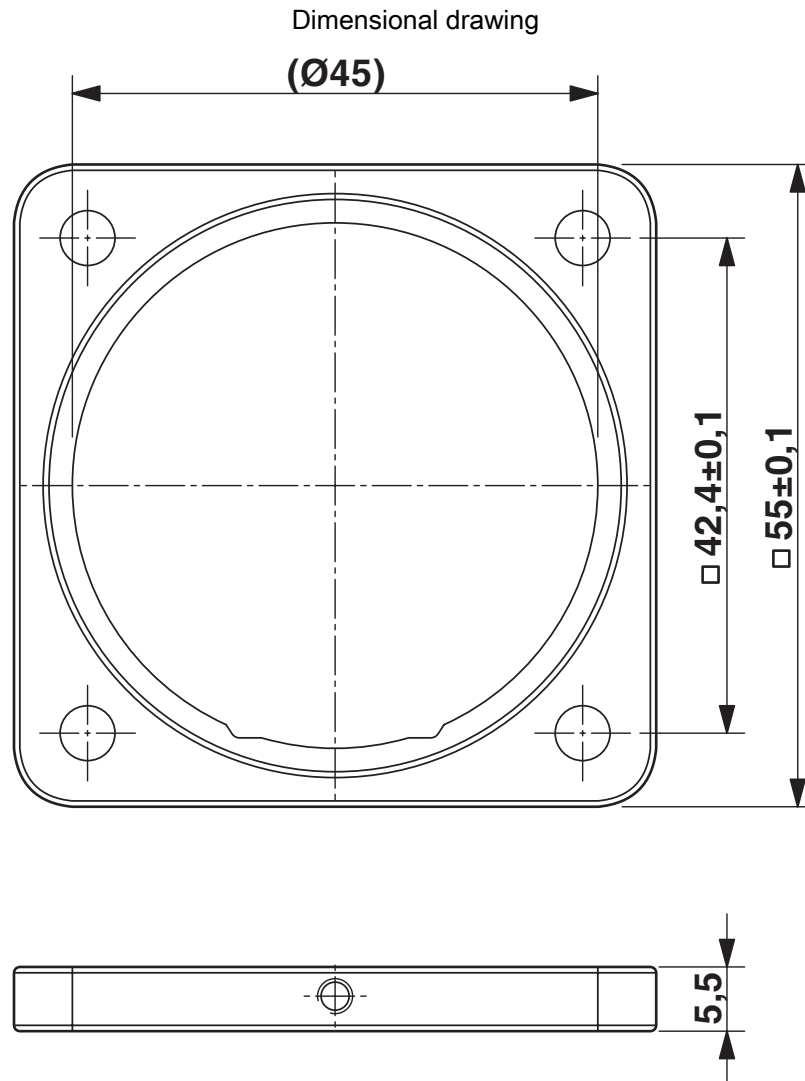


## Installation dimensions

# SM-Z0003 - Square mounting flange with O-ring

1607935

<https://www.phoenixcontact.com/us/products/1607935>



Installation dimensions  
Flat gasket, radial O-ring

# SM-Z0003 - Square mounting flange with O-ring



1607935

<https://www.phoenixcontact.com/us/products/1607935>

## Classifications

### ECLASS

ECLASS-13.0	27440210
ECLASS-15.0	27440210

### ETIM

ETIM 10.0	EC002310
-----------	----------

### UNSPSC

UNSPSC 21.0	39121400
-------------	----------

# SM-Z0003 - Square mounting flange with O-ring



1607935

<https://www.phoenixcontact.com/us/products/1607935>

## Environmental product compliance

### EU RoHS

Fulfills EU RoHS substance requirements	Yes, No exemptions
---	--------------------

### China RoHS

Environment friendly use period (EFUP)	EFUP-E
	No hazardous substances above the limits

### EU REACH SVHC

REACH candidate substance (CAS No.)	No substance above 0.1 wt%
-------------------------------------	----------------------------

Phoenix Contact 2026 © - all rights reserved  
<https://www.phoenixcontact.com>

Phoenix Contact USA  
586 Fulling Mill Road  
Middletown, PA 17057, United States  
(+717) 944-1300  
[info@phoenixcon.com](mailto:info@phoenixcon.com)