

# SL-Z0005 - Protective cap

1607926

<https://www.phoenixcontact.com/us/products/1607926>

Please be informed that the data shown in this PDF document is generated from our online catalog. Please find the complete data in the user documentation. Our general terms of use for downloads are valid.



Plastic protection cap for connectors with M58 external thread

The figure shows the product version for M23 circular connectors

## Commercial data

Item number	1607926
Packing unit	25 pc
Minimum order quantity	1 pc
Note	Made to order (non-returnable)
Sales key	AB36
Product key	ABRGAH
GTIN	4046356272926
Weight per piece (including packing)	27 g
Weight per piece (excluding packing)	25.8 g
Customs tariff number	39235090
Country of origin	DE

# SL-Z0005 - Protective cap

1607926

<https://www.phoenixcontact.com/us/products/1607926>



## Technical data

### Product properties

Product type	Protective cap
Series	SL

### Environmental and real-life conditions

#### Ambient conditions

Degree of protection	IP40
----------------------	------

# SL-Z0005 - Protective cap

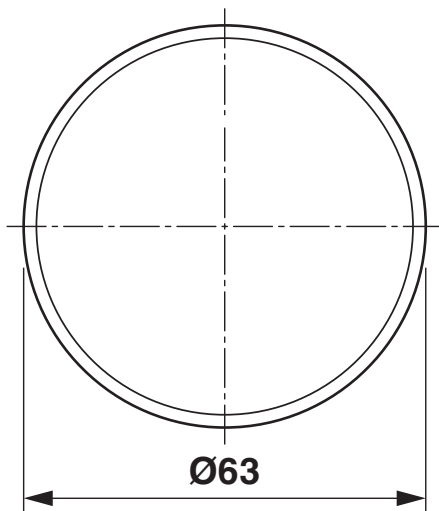
1607926

<https://www.phoenixcontact.com/us/products/1607926>

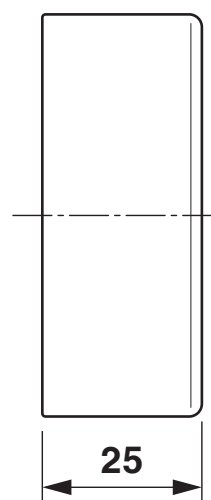


## Drawings

Dimensional drawing



Dimensional drawing



# SL-Z0005 - Protective cap

1607926

<https://www.phoenixcontact.com/us/products/1607926>



## Classifications

### ECLASS

ECLASS-13.0	27440208
ECLASS-15.0	27440208

### ETIM

ETIM 10.0	EC002314
-----------	----------

### UNSPSC

UNSPSC 21.0	39121400
-------------	----------

# SL-Z0005 - Protective cap



1607926

<https://www.phoenixcontact.com/us/products/1607926>

## Environmental product compliance

### EU RoHS

Fulfills EU RoHS substance requirements	Yes, No exemptions
---	--------------------

### China RoHS

Environment friendly use period (EFUP)	EFUP-E
	No hazardous substances above the limits

### EU REACH SVHC

REACH candidate substance (CAS No.)	No substance above 0.1 wt%
-------------------------------------	----------------------------

Phoenix Contact 2026 © - all rights reserved  
<https://www.phoenixcontact.com>

Phoenix Contact USA  
586 Fulling Mill Road  
Middletown, PA 17057, United States  
(+717) 944-1300  
[info@phoenixcon.com](mailto:info@phoenixcon.com)