

RF-Z0003 - Square mounting flange



1607905

<https://www.phoenixcontact.com/us/products/1607905>

Please be informed that the data shown in this PDF document is generated from our online catalog. Please find the complete data in the user documentation. Our general terms of use for downloads are valid.



Square mounting flange, Axial seal, flange dimensions: 35 mm x 35 mm, series: RF, Item is lead-free in accordance with RoHS II without Exemption 6c (Pb < 0.1 %)

Commercial data

Item number	1607905
Packing unit	1 pc
Minimum order quantity	1 pc
Sales key	AB36
Product key	ABRGDA
GTIN	4046356272575
Weight per piece (including packing)	30.6 g
Weight per piece (excluding packing)	28.402 g
Customs tariff number	74198090
Country of origin	DE

RF-Z0003 - Square mounting flange



1607905

<https://www.phoenixcontact.com/us/products/1607905>

Technical data

Product properties

Product type	Mounting material
Series	RF

Dimensions

Housing

Flange dimensions	35 mm x 35 mm
-------------------	---------------

Material specifications

Seal material	FPM
---------------	-----

Mounting

Mounting type	Screw mounting (4x M3)
---------------	------------------------

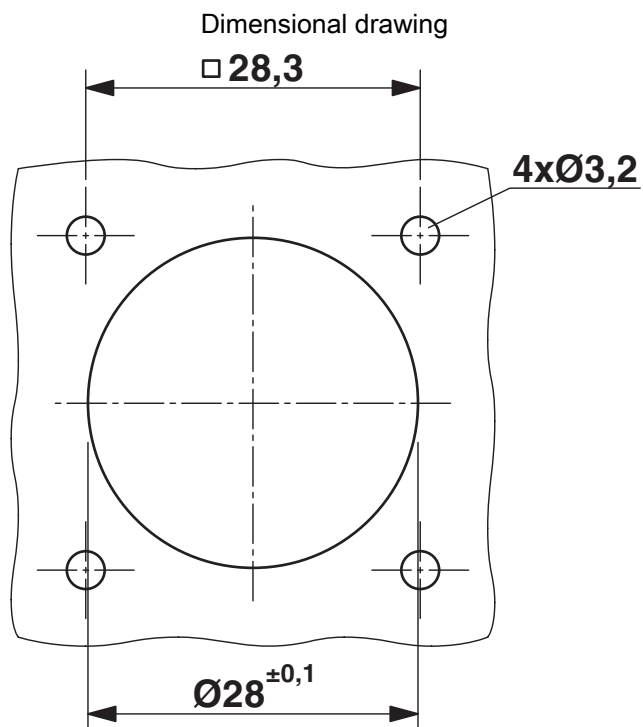
RF-Z0003 - Square mounting flange

1607905

<https://www.phoenixcontact.com/us/products/1607905>



Drawings



Assembly drawing

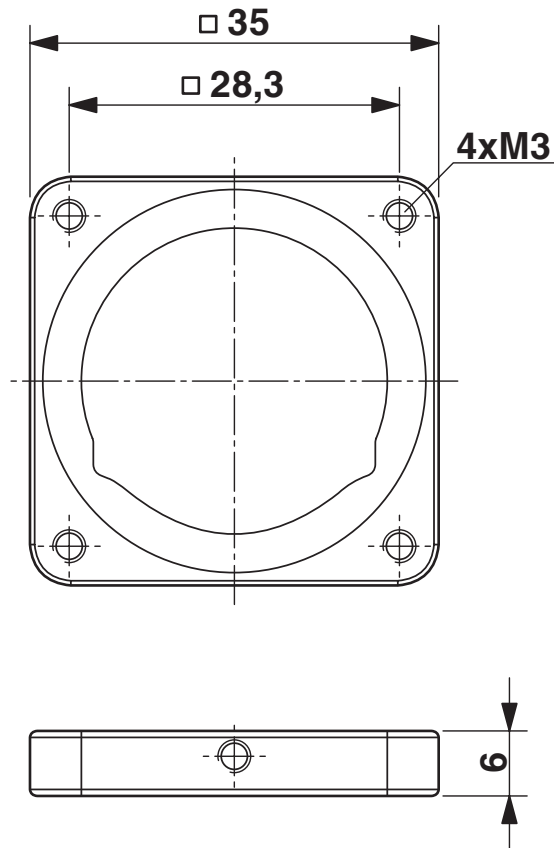
RF-Z0003 - Square mounting flange

1607905

<https://www.phoenixcontact.com/us/products/1607905>



Dimensional drawing



Dimensional drawing

RF-Z0003 - Square mounting flange



1607905

<https://www.phoenixcontact.com/us/products/1607905>

Classifications

ECLASS

ECLASS-13.0	27440210
ECLASS-15.0	27440210

ETIM

ETIM 10.0	EC002310
-----------	----------

UNSPSC

UNSPSC 21.0	39121400
-------------	----------

RF-Z0003 - Square mounting flange



1607905

<https://www.phoenixcontact.com/us/products/1607905>

Environmental product compliance

EU RoHS

Fulfills EU RoHS substance requirements	Yes, No exemptions
---	--------------------

China RoHS

Environment friendly use period (EFUP)	EFUP-E
	No hazardous substances above the limits

EU REACH SVHC

REACH candidate substance (CAS No.)	No substance above 0.1 wt%
-------------------------------------	----------------------------

Phoenix Contact 2026 © - all rights reserved
<https://www.phoenixcontact.com>

Phoenix Contact USA
586 Fulling Mill Road
Middletown, PA 17057, United States
(+717) 944-1300
info@phoenixcon.com