

# RF-17P1N8AWQ00 - Device connector front mounting



1607866

<https://www.phoenixcontact.com/us/products/1607866>

Please be informed that the data shown in this PDF document is generated from our online catalog. Please find the complete data in the user documentation. Our general terms of use for downloads are valid.



Device connector front mounting, application: Feedback, signal, straight, Screw locking mechanism, M23, number of positions: 17, contact connection type: Pin, Axial O-ring, 4x Ø 2.7 mm, shielded: yes, number of positions: 17, connection method: Crimp connection, series: RF

The figure shows the 12-pos.  
product version

## Commercial data

Item number	1607866
Packing unit	1 pc
Note	Made to order (non-returnable)
Sales key	AB31
Product key	ABRAFL
GTIN	4046356269087
Weight per piece (including packing)	7.5 g
Weight per piece (excluding packing)	7.5 g
Customs tariff number	85366990
Country of origin	DE

1607866

<https://www.phoenixcontact.com/us/products/1607866>

## Technical data

### Notes

Order information:	Order crimp contacts Ø 1 mm separately
--------------------	--

### Product properties

Product type	Circular connectors (device side)
Series	RF
Application	Feedback, signal Signal
Number of positions	17
Connection profile	17
Shielded	yes
Coding	N
Thread type	M23

### Material specifications

Seal material	FPM
Housing material	Turned parts: copper zinc alloy (CuZn), die-cast parts: zinc (GD-Zn)
Insulator material	PA 6.6
Gasket and O-ring material	FPM

### Electrical properties

#### Contact

Contact diameter	1 mm
Nominal current $I_N$	8 A
Nominal voltage $U_N$	100 V
Overvoltage category	III
Degree of pollution	3
Rated surge voltage	1.5 kV

### Connection data

#### Conductor connection

Connection method	Crimp connection
Contact connection type	Pin

### Connector

Type	straight
Direction of rotation	Standard

### Environmental and real-life conditions

#### Ambient conditions

# RF-17P1N8AWQ00 - Device connector front mounting



1607866

<https://www.phoenixcontact.com/us/products/1607866>

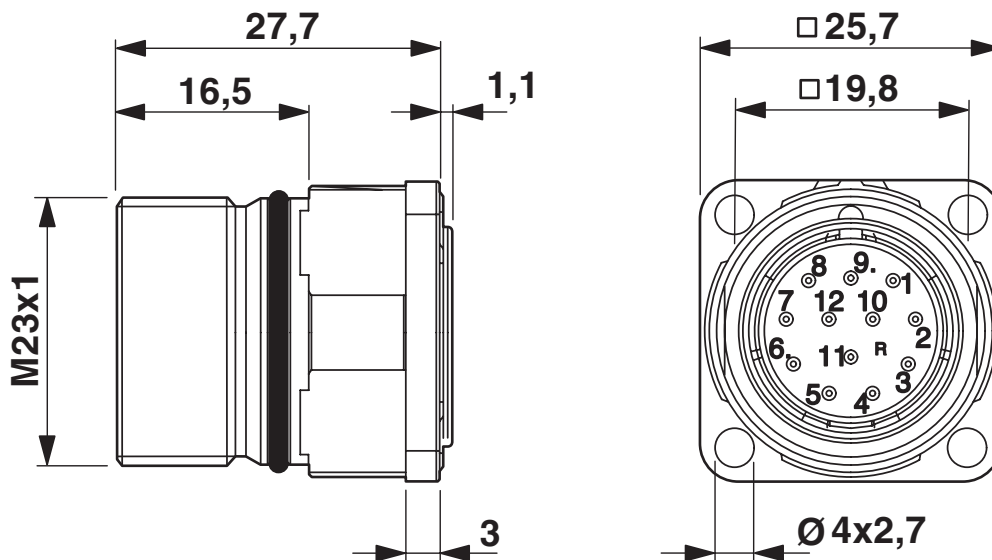
Degree of protection	IP67
Ambient temperature (operation)	-40 °C ... 125 °C
Altitude	2000 m

Drawings

Dimensional drawing



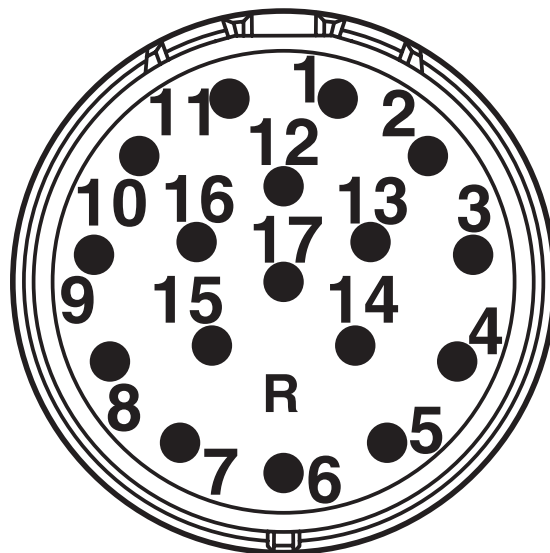
Dimensional drawing



1607866

<https://www.phoenixcontact.com/us/products/1607866>

Schematic diagram



Contact chamber numbering (view of plug-in side), standard pin

1607866

<https://www.phoenixcontact.com/us/products/1607866>

## Environmental product compliance

### China RoHS

Environment friendly use period (EFUP)	EFUP-50
	An article-related China RoHS declaration table can be found in the download area for the respective article under "Manufacturer declaration". For all articles with EFUP-E, no China RoHS declaration table issued and required.

### EU REACH SVHC

REACH candidate substance (CAS No.)	No substance above 0.1 wt%
-------------------------------------	----------------------------

Phoenix Contact 2026 © - all rights reserved  
<https://www.phoenixcontact.com>

Phoenix Contact USA  
586 Fulling Mill Road  
Middletown, PA 17057, United States  
(+717) 944-1300  
[info@phoenixcon.com](mailto:info@phoenixcon.com)