

RF-17P1N8AAF00 - Device connector front mounting



1607853

<https://www.phoenixcontact.com/us/products/1607853>

Please be informed that the data shown in this PDF document is generated from our online catalog. Please find the complete data in the user documentation. Our general terms of use for downloads are valid.



The figure shows the 12-pos.
product version

Device connector front mounting, application: Feedback, signal, angled fixed, Screw locking mechanism, M23, number of positions: 17, contact connection type: Pin, Axial O-ring, 4x Ø 3.2, shielded: yes, flange dimensions: 26 mm x 26 mm, number of positions: 17, connection method: Crimp connection, series: RF

Commercial data

Item number	1607853
Packing unit	1 pc
Note	Made to order (non-returnable)
Sales key	AB31
Product key	ABRAGM
GTIN	4046356269056
Weight per piece (including packing)	141.6 g
Weight per piece (excluding packing)	141.6 g
Customs tariff number	85366990
Country of origin	DE

1607853

<https://www.phoenixcontact.com/us/products/1607853>

Technical data

Notes

Order information:	Order crimp contacts Ø 1 mm separately
--------------------	--

Product properties

Product type	Circular connectors (device side)
Series	RF
Application	Feedback, signal Signal
Number of positions	17
Connection profile	17
Shielded	yes
Coding	N
Thread type	M23

Dimensions

Housing

Flange dimensions	26 mm x 26 mm
-------------------	---------------

Material specifications

Seal material	FPM
Housing material	Turned parts: copper zinc alloy (CuZn), die-cast parts: zinc (GD-Zn)
Insulator material	PA 6.6
Gasket and O-ring material	FPM

Electrical properties

Contact

Contact diameter	1 mm
Nominal current I_N	8 A
Nominal voltage U_N	48 V AC 74 V DC
Overvoltage category	III
Degree of pollution	3
Rated surge voltage	1.5 kV

Connection data

Conductor connection

Connection method	Crimp connection
Contact connection type	Pin

Connector

RF-17P1N8AAF00 - Device connector front mounting



1607853

<https://www.phoenixcontact.com/us/products/1607853>

Type	angled fixed
Direction of rotation	Standard

Environmental and real-life conditions

Ambient conditions

Degree of protection	IP67
Ambient temperature (operation)	-40 °C ... 125 °C
Altitude	2000 m

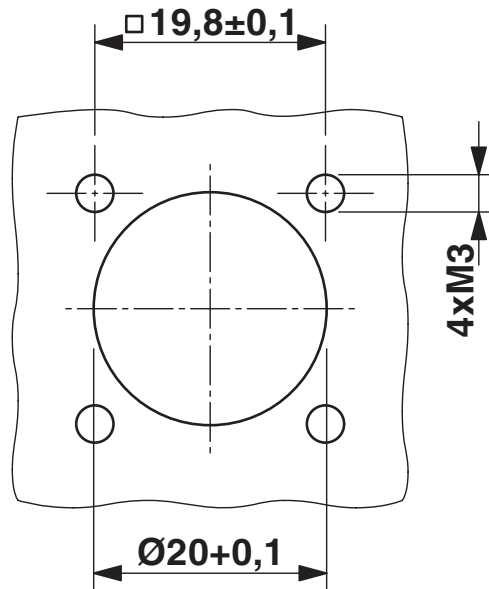
RF-17P1N8AAF00 - Device connector front mounting

1607853

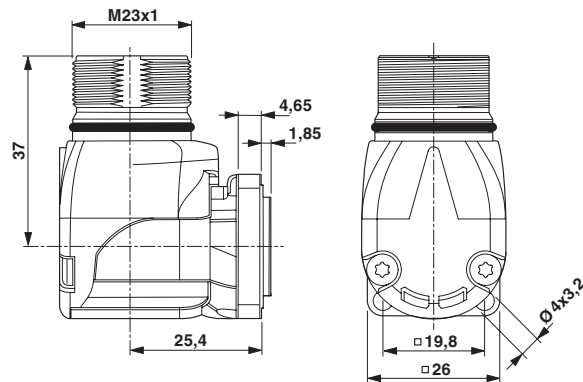
<https://www.phoenixcontact.com/us/products/1607853>

Drawings

Dimensional drawing



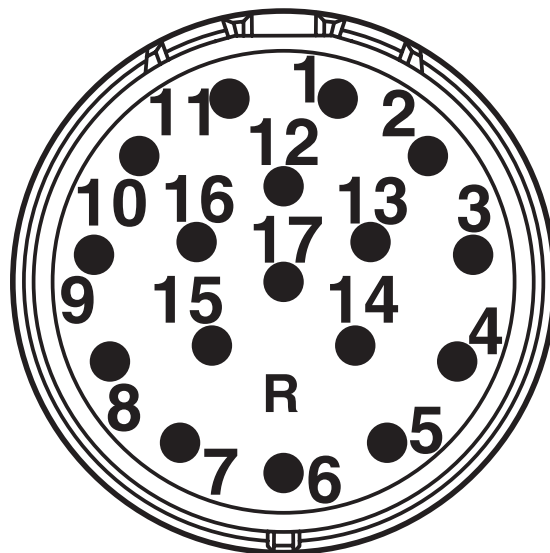
Dimensional drawing



1607853

<https://www.phoenixcontact.com/us/products/1607853>

Schematic diagram



Contact chamber numbering (view of plug-in side), standard pin

RF-17P1N8AAF00 - Device connector front mounting



1607853

<https://www.phoenixcontact.com/us/products/1607853>

Classifications

UNSPSC

UNSPSC 21.0	39121400
-------------	----------

RF-17P1N8AAF00 - Device connector front mounting



1607853

<https://www.phoenixcontact.com/us/products/1607853>

Environmental product compliance

EU RoHS

Fulfills EU RoHS substance requirements	Yes, No exemptions
---	--------------------

China RoHS

Environment friendly use period (EFUP)	EFUP-E
	No hazardous substances above the limits

EU REACH SVHC

REACH candidate substance (CAS No.)	No substance above 0.1 wt%
-------------------------------------	----------------------------

Phoenix Contact 2026 © - all rights reserved
<https://www.phoenixcontact.com>

Phoenix Contact USA
586 Fulling Mill Road
Middletown, PA 17057, United States
(+717) 944-1300
info@phoenixcon.com