

RF-12S2N8AAC00 - Device connector front mounting



1607842

<https://www.phoenixcontact.com/us/products/1607842>

Please be informed that the data shown in this PDF document is generated from our online catalog. Please find the complete data in the user documentation. Our general terms of use for downloads are valid.



The figure shows the product version with standard contact chamber numbering

Device connector front mounting, application: Feedback, signal, angled rotatable, Screw locking mechanism, M23, number of positions: 12, contact connection type: Socket, Axial O-ring, 4x Ø 3.2, shielded: yes, flange dimensions: 28 mm x 28 mm, number of positions: 12, connection method: Crimp connection, series: RF

Your advantages

- Easy connection, thanks to infinitely adjustable cable outlet direction up to 310°
- Safe use in the field, thanks to high degree of protection
- Connector for flexible on-site assembly
- Consistent EMC protection for reliable connection solutions in the industrial environment
- Crimping connection: vibration- and temperature-resistant assembly

Commercial data

Item number	1607842
Packing unit	1 pc
Note	Made to order (non-returnable)
Sales key	AB33
Product key	ABRAGM
GTIN	4046356268769
Weight per piece (including packing)	3.45 g
Weight per piece (excluding packing)	3.45 g
Customs tariff number	85366990
Country of origin	DE

1607842

<https://www.phoenixcontact.com/us/products/1607842>

Technical data

Notes

Order information:	Order crimp contacts Ø 1 mm separately
--------------------	--

Product properties

Product type	Circular connectors (device side)
Series	RF
Application	Feedback, signal Signal
Number of positions	12
Connection profile	12
Shielded	yes
Coding	N
Thread type	M23

Dimensions

Housing

Flange dimensions	28 mm x 28 mm
-------------------	---------------

Material specifications

Seal material	FPM
Housing material	Turned parts: copper zinc alloy (CuZn), die-cast parts: zinc (GD-Zn)
Insulator material	PA 6.6
Gasket and O-ring material	FPM

Electrical properties

Contact

Contact diameter	1 mm
Nominal current I_N	8 A
Nominal voltage U_N	48 V AC 74 V DC
Overvoltage category	III
Degree of pollution	3
Rated surge voltage	1.5 kV

Connection data

Conductor connection

Connection method	Crimp connection
Contact connection type	Socket

Connector

RF-12S2N8AAC00 - Device connector front mounting



1607842

<https://www.phoenixcontact.com/us/products/1607842>

Type	angled rotatable
Direction of rotation	Counter direction

Environmental and real-life conditions

Ambient conditions

Degree of protection	IP67
Ambient temperature (operation)	-20 °C ... 125 °C
Altitude	2000 m

RF-12S2N8AAC00 - Device connector front mounting

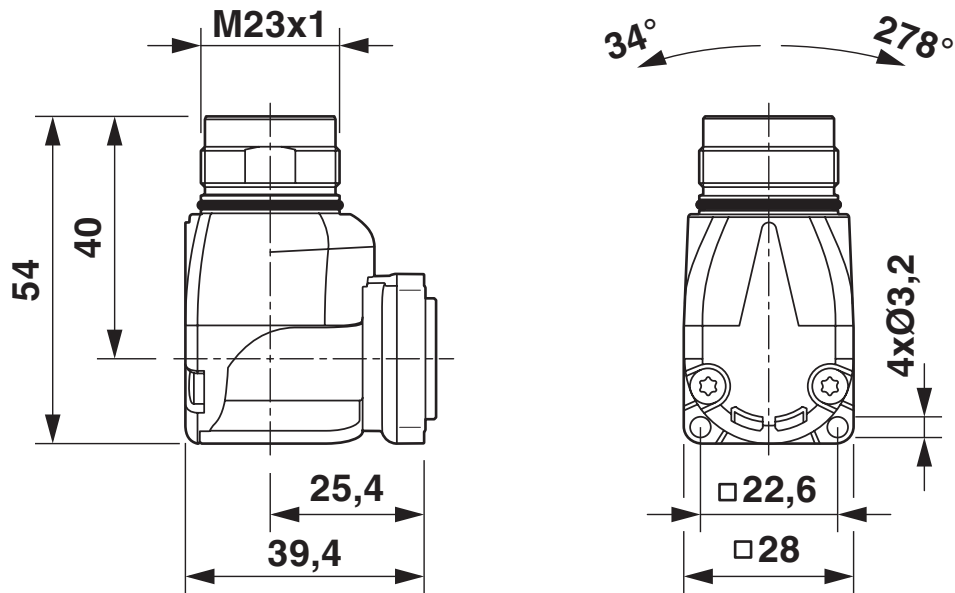


1607842

<https://www.phoenixcontact.com/us/products/1607842>

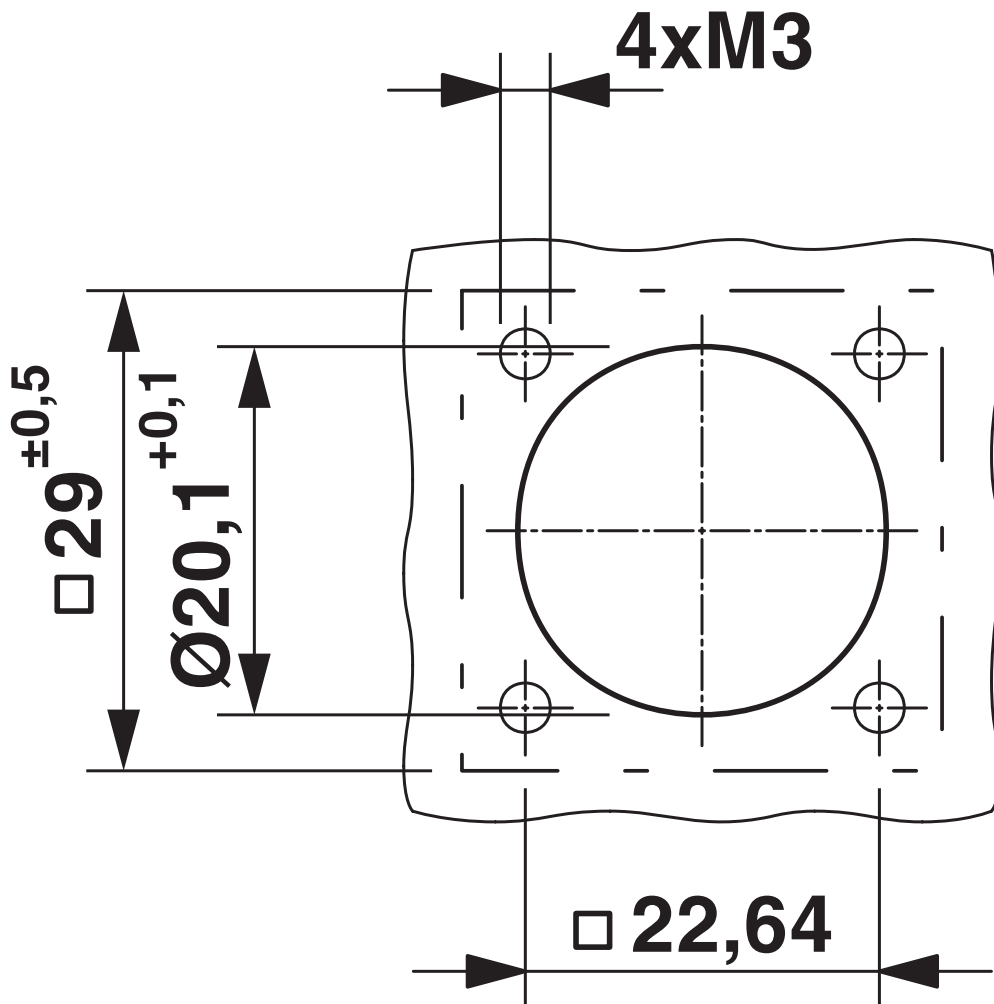
Drawings

Dimensional drawing



Dimensional drawing

Dimensional drawing

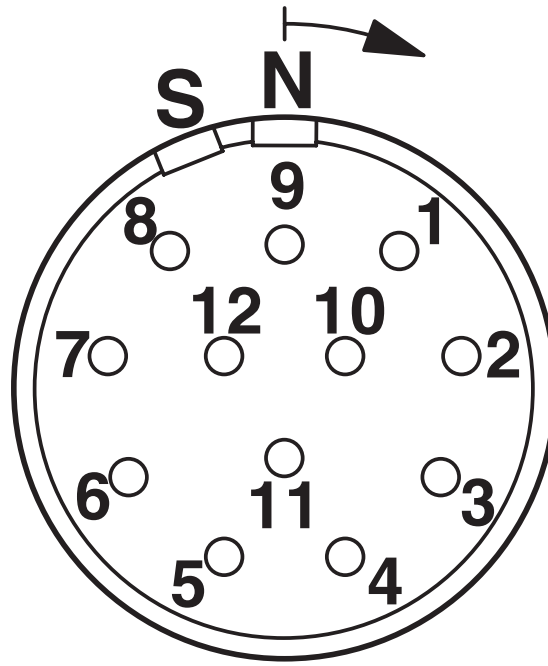


Drill holes

1607842

<https://www.phoenixcontact.com/us/products/1607842>

Schematic diagram



Contact chamber numbering (view of plug-in side), socket counter direction

RF-12S2N8AAC00 - Device connector front mounting



1607842

<https://www.phoenixcontact.com/us/products/1607842>

Classifications

UNSPSC

UNSPSC 21.0	39121400
-------------	----------

RF-12S2N8AAC00 - Device connector front mounting



1607842

<https://www.phoenixcontact.com/us/products/1607842>

Environmental product compliance

EU RoHS

Fulfills EU RoHS substance requirements	Yes, No exemptions
---	--------------------

China RoHS

Environment friendly use period (EFUP)	EFUP-E
	No hazardous substances above the limits

EU REACH SVHC

REACH candidate substance (CAS No.)	No substance above 0.1 wt%
-------------------------------------	----------------------------

Phoenix Contact 2026 © - all rights reserved
<https://www.phoenixcontact.com>

Phoenix Contact USA
586 Fulling Mill Road
Middletown, PA 17057, United States
(+717) 944-1300
info@phoenixcon.com