

RF-12P2S8AAC00 - Device connector front mounting



1607820

<https://www.phoenixcontact.com/us/products/1607820>

Please be informed that the data shown in this PDF document is generated from our online catalog. Please find the complete data in the user documentation. Our general terms of use for downloads are valid.



The figure shows the product version with standard contact chamber numbering

Device connector front mounting, application: Signal, angled rotatable, Screw locking mechanism, M23, number of positions: 12, contact connection type: Pin, Axial O-ring, 4x Ø 3.2, shielded: yes, flange dimensions: 28 mm x 28 mm, number of positions: 12, connection method: Crimp connection, series: RF

Commercial data

Item number	1607820
Packing unit	16 pc
Minimum order quantity	16 pc
Note	Made to order (non-returnable)
Sales key	AB31
Product key	ABRAGM
GTIN	4046356268349
Weight per piece (including packing)	140.43 g
Weight per piece (excluding packing)	3.4 g
Customs tariff number	85366990
Country of origin	DE

1607820

<https://www.phoenixcontact.com/us/products/1607820>

Technical data

Notes

Order information:	Order crimp contacts Ø 1 mm separately
--------------------	----------------------------------------

Product properties

Product type	Circular connectors (device side)
Series	RF
Application	Signal Signal
Number of positions	12
Connection profile	12
Shielded	yes
Coding	S
Thread type	M23

Dimensions

Housing

Flange dimensions	28 mm x 28 mm
-------------------	---------------

Material specifications

Seal material	FPM
Housing material	Turned parts: copper zinc alloy (CuZn), die-cast parts: zinc (GD-Zn)
Insulator material	PA 6.6
Gasket and O-ring material	FPM

Electrical properties

Contact

Contact diameter	1 mm
Nominal current I_N	8 A
Nominal voltage U_N	48 V AC 74 V DC
Overvoltage category	III
Degree of pollution	3
Rated surge voltage	1.5 kV

Connection data

Conductor connection

Connection method	Crimp connection
Contact connection type	Pin

Connector

RF-12P2S8AAC00 - Device connector front mounting



1607820

<https://www.phoenixcontact.com/us/products/1607820>

Type	angled rotatable
Direction of rotation	Counter direction

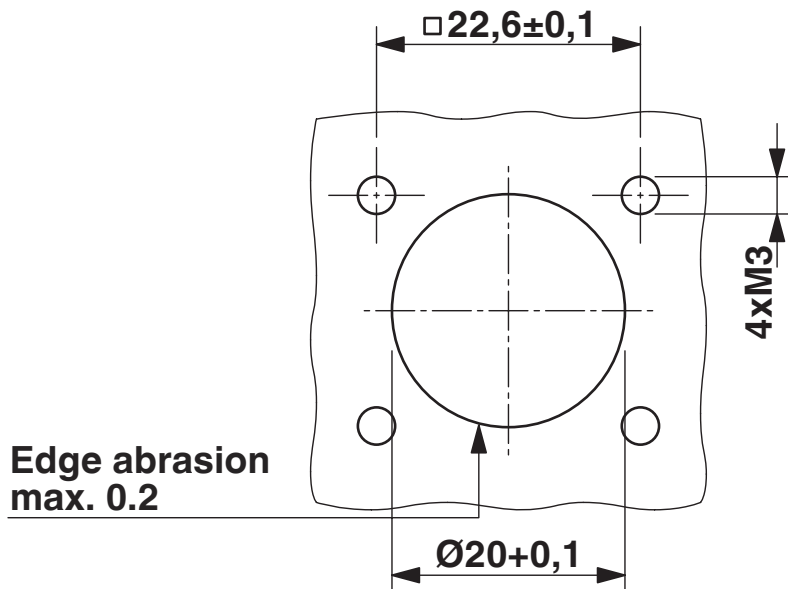
Environmental and real-life conditions

Ambient conditions

Degree of protection	IP67
Ambient temperature (operation)	-20 °C ... 125 °C
Altitude	2000 m

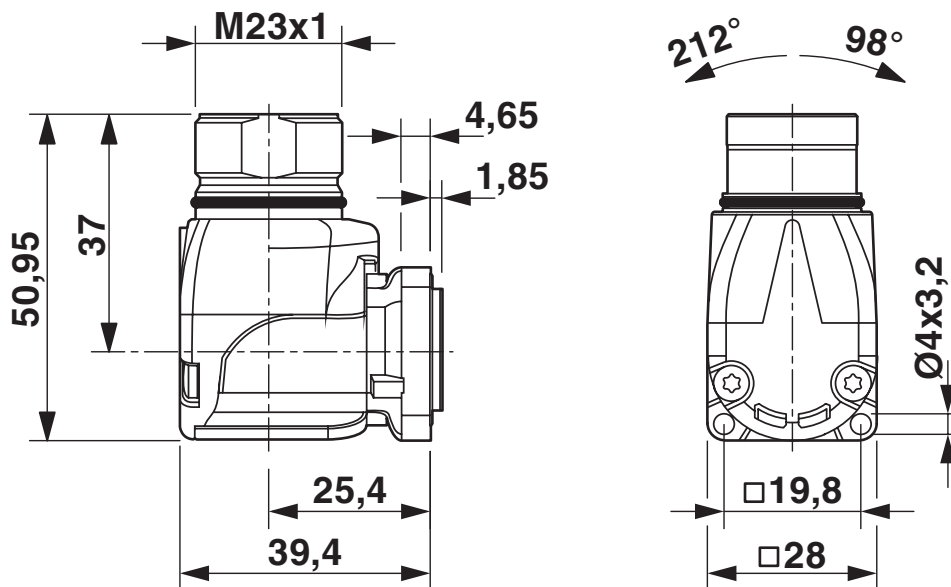
Drawings

Dimensional drawing



Installation dimensions

Dimensional drawing

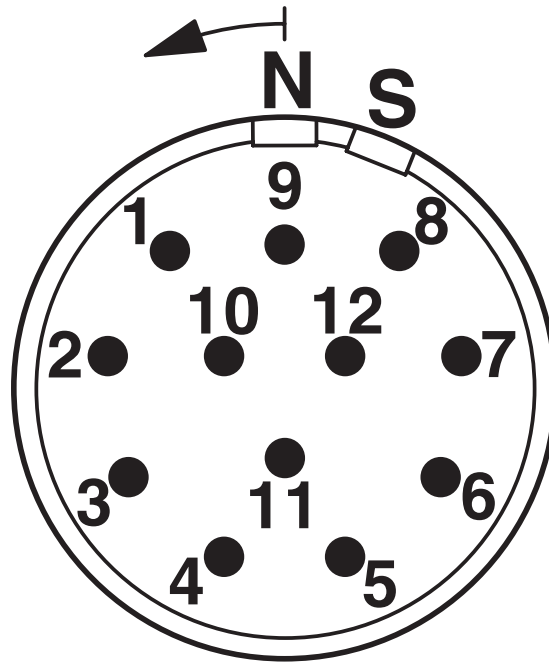


Dimensional drawing

1607820

<https://www.phoenixcontact.com/us/products/1607820>

Schematic diagram



Connector pin assignment

RF-12P2S8AAC00 - Device connector front mounting



1607820

<https://www.phoenixcontact.com/us/products/1607820>

Classifications

ETIM

ETIM 9.0	EC003569
----------	----------

UNSPSC

UNSPSC 21.0	39121400
-------------	----------

RF-12P2S8AAC00 - Device connector front mounting



1607820

<https://www.phoenixcontact.com/us/products/1607820>

Environmental product compliance

EU RoHS

Fulfills EU RoHS substance requirements	Yes, No exemptions
-----------------------------------------	--------------------

China RoHS

Environment friendly use period (EFUP)	EFUP-E
	No hazardous substances above the limits

EU REACH SVHC

REACH candidate substance (CAS No.)	No substance above 0.1 wt%
-------------------------------------	----------------------------

Phoenix Contact 2026 © - all rights reserved
<https://www.phoenixcontact.com>

Phoenix Contact USA
586 Fulling Mill Road
Middletown, PA 17057, United States
(+717) 944-1300
info@phoenixcon.com