

ST-Z0005 - Square mounting flange

1607775

<https://www.phoenixcontact.com/us/products/1607775>

Please be informed that the data shown in this PDF document is generated from our online catalog. Please find the complete data in the user documentation. Our general terms of use for downloads are valid.



Square mounting flange, series: ST, this item is expected to be lead-free from Q1 2027 in accordance with RoHS II without exception 6c (Pb < 0.1%), a lead-free alternative is possible on request in advance

Commercial data

Item number	1607775
Packing unit	1 pc
Minimum order quantity	1 pc
Sales key	AB36
Product key	ABRGDA
GTIN	4046356274661
Weight per piece (including packing)	18.3 g
Weight per piece (excluding packing)	14.172 g
Customs tariff number	85389099
Country of origin	DE

ST-Z0005 - Square mounting flange



1607775

<https://www.phoenixcontact.com/us/products/1607775>

Technical data

Product properties

Product type	Mounting material
Series	ST

Material specifications

Material Housing	CuZn
Material Housing surface	Ni

Mounting

Mounting type	Screw mounting (4x M3)
---------------	------------------------

ST-Z0005 - Square mounting flange

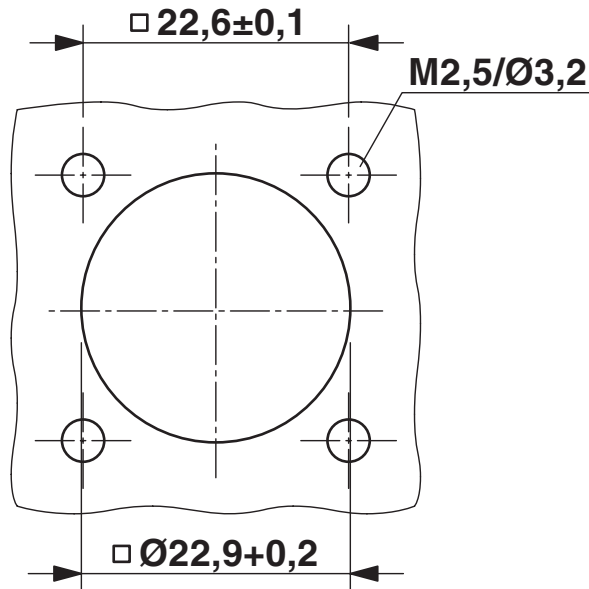
1607775

<https://www.phoenixcontact.com/us/products/1607775>



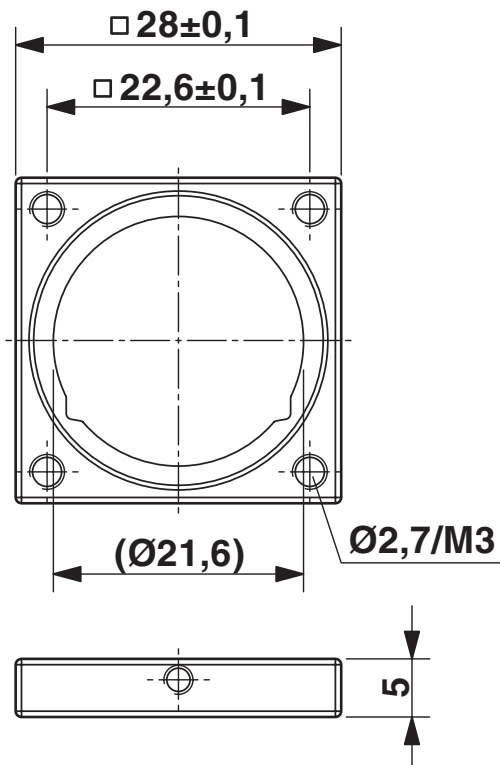
Drawings

Dimensional drawing



Installation dimensions

Dimensional drawing



Dimensional drawing

ST-Z0005 - Square mounting flange



1607775

<https://www.phoenixcontact.com/us/products/1607775>

Classifications

ECLASS

ECLASS-13.0	27440210
ECLASS-15.0	27440210

ETIM

ETIM 10.0	EC002310
-----------	----------

UNSPSC

UNSPSC 21.0	39121400
-------------	----------

ST-Z0005 - Square mounting flange



1607775

<https://www.phoenixcontact.com/us/products/1607775>

Environmental product compliance

EU RoHS

Fulfills EU RoHS substance requirements	Yes
Exemption	6(c)

China RoHS

Environment friendly use period (EFUP)	EFUP-50
	An article-related China RoHS declaration table can be found in the download area for the respective article under "Manufacturer declaration". For all articles with EFUP-E, no China RoHS declaration table issued and required.

EU REACH SVHC

REACH candidate substance (CAS No.)	Lead(CAS: 7439-92-1)
SCIP	6ab24424-f26d-4ad1-9153-a7cec46d590d

Phoenix Contact 2026 © - all rights reserved

<https://www.phoenixcontact.com>

Phoenix Contact USA
586 Fulling Mill Road
Middletown, PA 17057, United States
(+717) 944-1300
info@phoenixcon.com