

# ST-Z0002 - Square mounting flange with O-ring



1607771

<https://www.phoenixcontact.com/us/products/1607771>

Please be informed that the data shown in this PDF document is generated from our online catalog. Please find the complete data in the user documentation. Our general terms of use for downloads are valid.

Square mounting flange with O-ring, Axial O-ring, 4x Ø 2.7 mm, series: ST



## Commercial data

Item number	1607771
Packing unit	1 pc
Note	Made to order (non-returnable)
Sales key	AB32
Product key	ABRGDA
GTIN	4046356274630
Weight per piece (including packing)	16.3 g
Weight per piece (excluding packing)	0.3 g
Customs tariff number	85366990
Country of origin	DE

# ST-Z0002 - Square mounting flange with O-ring



1607771

<https://www.phoenixcontact.com/us/products/1607771>

## Technical data

### Product properties

Product type	Mounting material
Series	ST

### Material specifications

Housing material	CuZn
------------------	------

### Mounting

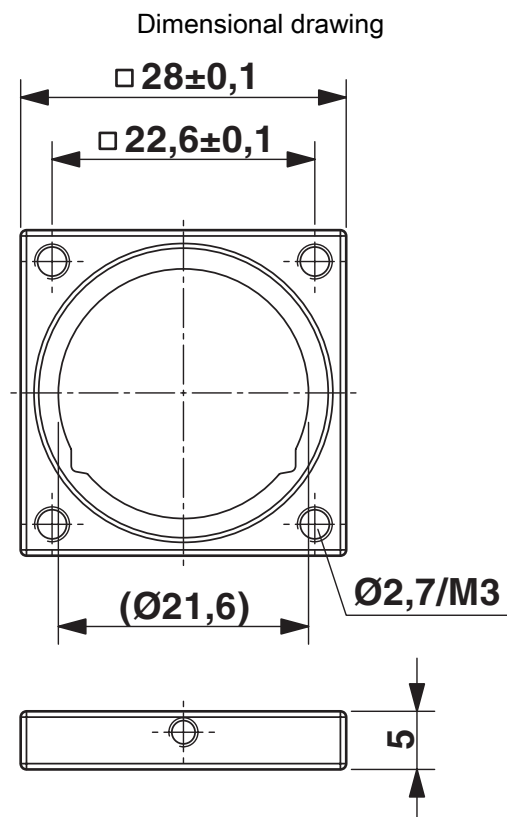
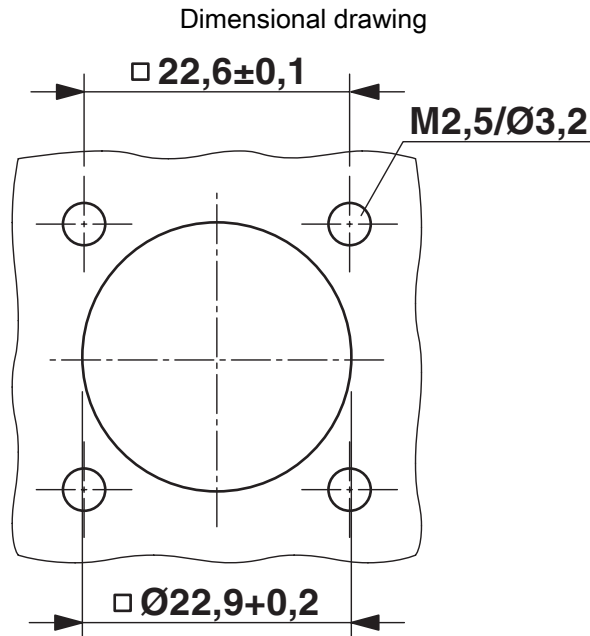
Mounting	4x Ø 2.7 mm
----------	-------------

# ST-Z0002 - Square mounting flange with O-ring

1607771

<https://www.phoenixcontact.com/us/products/1607771>

## Drawings



# ST-Z0002 - Square mounting flange with O-ring



1607771

<https://www.phoenixcontact.com/us/products/1607771>

## Classifications

### UNSPSC

UNSPSC 21.0	39121421
-------------	----------

# ST-Z0002 - Square mounting flange with O-ring



1607771

<https://www.phoenixcontact.com/us/products/1607771>

## Environmental product compliance

### EU RoHS

Fulfills EU RoHS substance requirements	Not applicable, No electrical and electronic equipment (EEE), cannot be used in EEE
---	---

### EU REACH SVHC

REACH candidate substance (CAS No.)	No substance above 0.1 wt%
-------------------------------------	----------------------------

Phoenix Contact 2026 © - all rights reserved

<https://www.phoenixcontact.com>

Phoenix Contact USA  
586 Fulling Mill Road  
Middletown, PA 17057, United States  
(+717) 944-1300  
[info@phoenixcon.com](mailto:info@phoenixcon.com)