

ST-5ES1N8AAC00S - Device connector front mounting



1607725

<https://www.phoenixcontact.com/us/products/1607725>

Please be informed that the data shown in this PDF document is generated from our online catalog. Please find the complete data in the user documentation. Our general terms of use for downloads are valid.



The figure shows the 4-pos.
(3+PE) product version

Device connector front mounting, application: Power, angled rotatable, SPEEDCON, M17, number of positions: 5+PE, contact connection type: Socket, Axial O-ring, 4x Ø 2.7 mm, shielded: yes, flange dimensions: 25 mm x 25 mm, number of positions: 6, connection method: Crimp connection, series: ST

Commercial data

Item number	1607725
Packing unit	1 pc
Note	Made to order (non-returnable)
Sales key	AB35
Product key	ABRBEM
GTIN	4046356274272
Weight per piece (including packing)	99.18 g
Weight per piece (excluding packing)	26.76 g
Customs tariff number	85366990
Country of origin	DE

1607725

<https://www.phoenixcontact.com/us/products/1607725>

Technical data

Notes

Order information:	Order crimp contacts Ø 1 mm separately
--------------------	--

Product properties

Product type	Circular connectors (device side)
Series	ST
Application	Power
Number of positions	6
Connection profile	5+PE
Shielded	yes
Coding	N
Thread type	M17

Dimensions

Housing

Flange dimensions	25 mm x 25 mm
-------------------	---------------

Material specifications

Seal material	FPM
Housing material	Metal
Housing material	Turned parts: copper zinc alloy (CuZn), die-cast parts: zinc (GD-Zn)
Insulator material	PA 6.6
Gasket and O-ring material	FPM

Electrical properties

Contact: Contact group 1

Contact diameter	1 mm
Nominal current I_N	14 A
Nominal voltage U_N	630 V
Overvoltage category	III
Degree of pollution	3
Rated surge voltage	6 kV

Contact: Contact group 2

Contact diameter	1 mm
------------------	------

Connection data

Conductor connection

Connection method	Crimp connection
Contact connection type	Socket

ST-5ES1N8AAC00S - Device connector front mounting



1607725

<https://www.phoenixcontact.com/us/products/1607725>

Connector

Type	angled rotatable
Direction of rotation	Standard

Environmental and real-life conditions

Ambient conditions

Degree of protection	IP67
Ambient temperature (operation)	-40 °C ... 125 °C
Altitude	3000 m

ST-5ES1N8AAC00S - Device connector front mounting

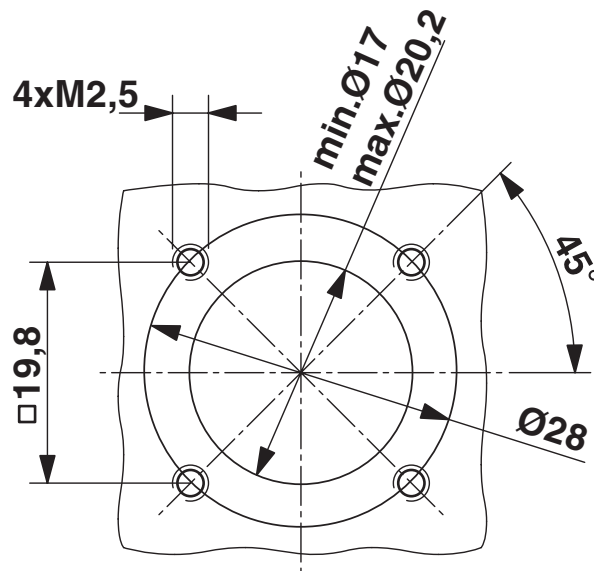


1607725

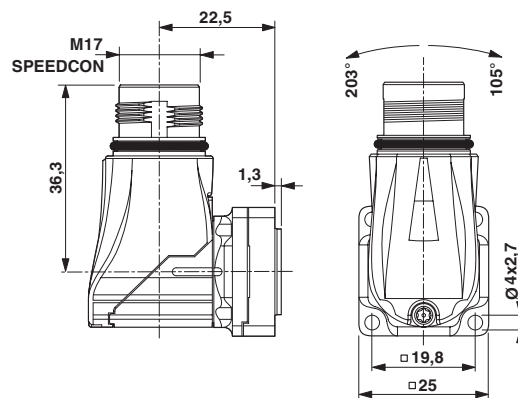
<https://www.phoenixcontact.com/us/products/1607725>

Drawings

Dimensional drawing



Dimensional drawing



ST-5ES1N8AAC00S - Device connector front mounting

1607725

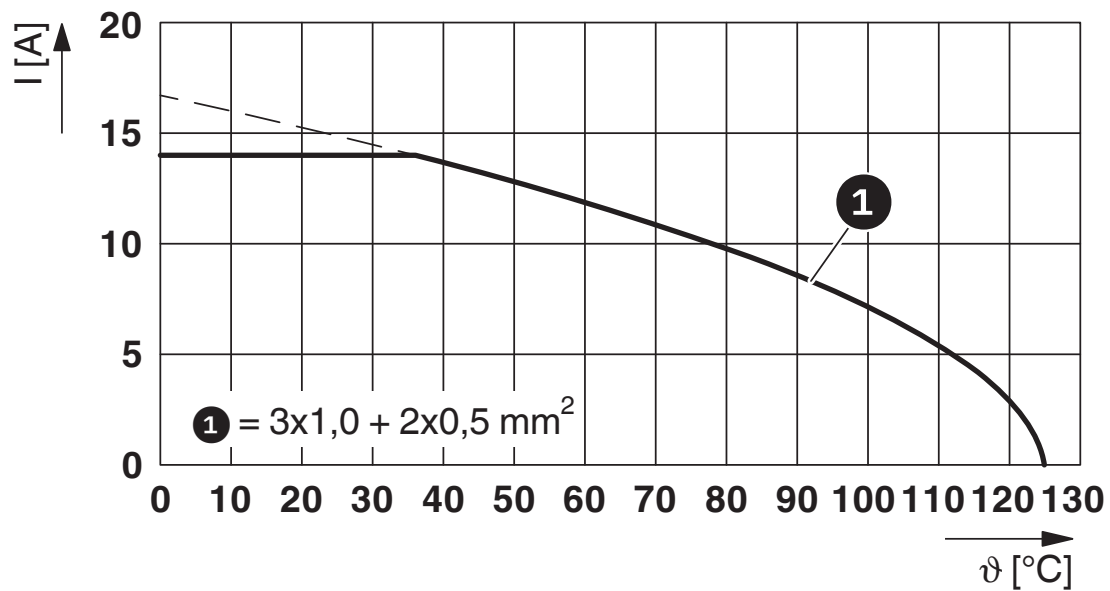
<https://www.phoenixcontact.com/us/products/1607725>

Schematic diagram



Connector pin assignment

Diagram



I = current strength, ϑ = ambient temperature, 3x 14 A + 2x 2 A constant

1607725

<https://www.phoenixcontact.com/us/products/1607725>

Environmental product compliance

EU RoHS

Fulfills EU RoHS substance requirements	Yes, No exemptions
---	--------------------

China RoHS

Environment friendly use period (EFUP)	EFUP-50
	An article-related China RoHS declaration table can be found in the download area for the respective article under "Manufacturer declaration". For all articles with EFUP-E, no China RoHS declaration table issued and required.

EU REACH SVHC

REACH candidate substance (CAS No.)	No substance above 0.1 wt%
-------------------------------------	----------------------------

Phoenix Contact 2026 © - all rights reserved

<https://www.phoenixcontact.com>

Phoenix Contact USA
586 Fulling Mill Road
Middletown, PA 17057, United States
(+717) 944-1300
info@phoenixcon.com