

ST-3ES1N8A8002S - Cable connector



1607681

<https://www.phoenixcontact.com/us/products/1607681>

Please be informed that the data shown in this PDF document is generated from our online catalog. Please find the complete data in the user documentation. Our general terms of use for downloads are valid.



Cable connector, application: Power, straight, SPEEDCON, M17, number of positions: 3+PE, contact connection type: Socket, shielded: yes, cable diameter range: 3.5 mm ... 5 mm, number of positions: 4, connection method: Crimp connection, series: ST

Commercial data

Item number	1607681
Packing unit	1 pc
Note	Made to order (non-returnable)
Sales key	NULL
Product key	ABRBEB
GTIN	4046356273862
Weight per piece (including packing)	62.14 g
Weight per piece (excluding packing)	62.14 g
Customs tariff number	85366990
Country of origin	DE

ST-3ES1N8A8002S - Cable connector



1607681

<https://www.phoenixcontact.com/us/products/1607681>

Technical data

Notes

Order information:	Order crimp contacts Ø 2 mm separately
--------------------	--

Product properties

Product type	Circular connector (cable-side)
Series	ST
Application	Power
Number of positions	4
Connection profile	3+PE
Shielded	yes
Coding	N
Thread type	M17

Material specifications

Seal material	FPM
Housing material	Metal
Housing material	Turned parts: copper zinc alloy (CuZn), die-cast parts: zinc (GD-Zn)
Insulator material	PA 6.6
Gasket and O-ring material	FPM

Connection data

Conductor connection

Connection method	Crimp connection
-------------------	------------------

Electrical properties

Contact: Contact group 1

Contact diameter	2 mm
Nominal current I_N	20 A
Nominal voltage U_N	630 V
Overvoltage category	III
Degree of pollution	3
Rated surge voltage	6 kV

Connector

Type	straight
Direction of rotation	Standard

Cable/line

External cable diameter	3.5 mm ... 5 mm
-------------------------	-----------------

ST-3ES1N8A8002S - Cable connector



1607681

<https://www.phoenixcontact.com/us/products/1607681>

Environmental and real-life conditions

Ambient conditions

Degree of protection	IP67
Ambient temperature (operation)	-40 °C ... 125 °C
Altitude	3000 m

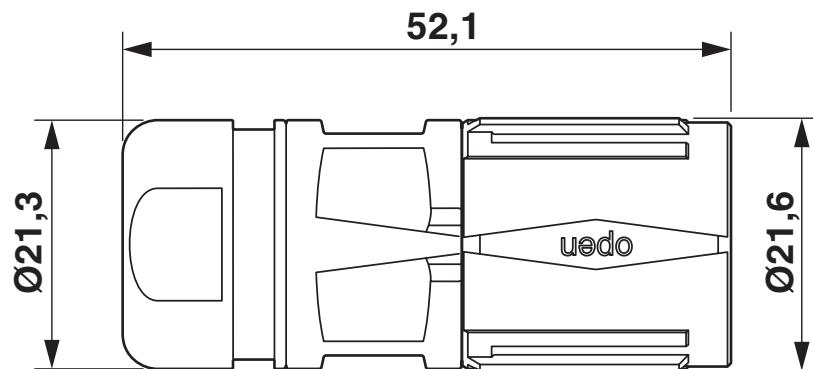
ST-3ES1N8A8002S - Cable connector

1607681

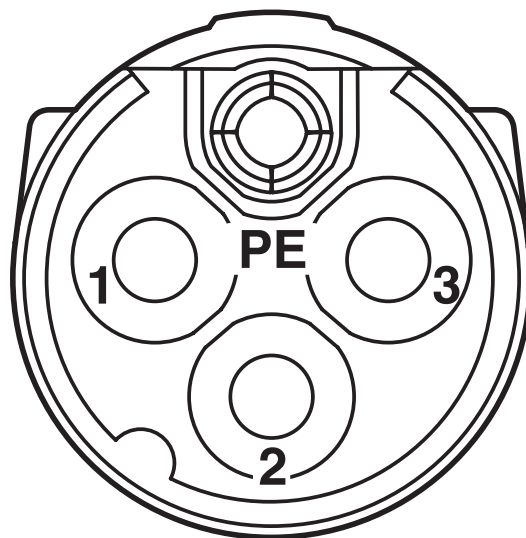
<https://www.phoenixcontact.com/us/products/1607681>

Drawings

Dimensional drawing



Schematic diagram

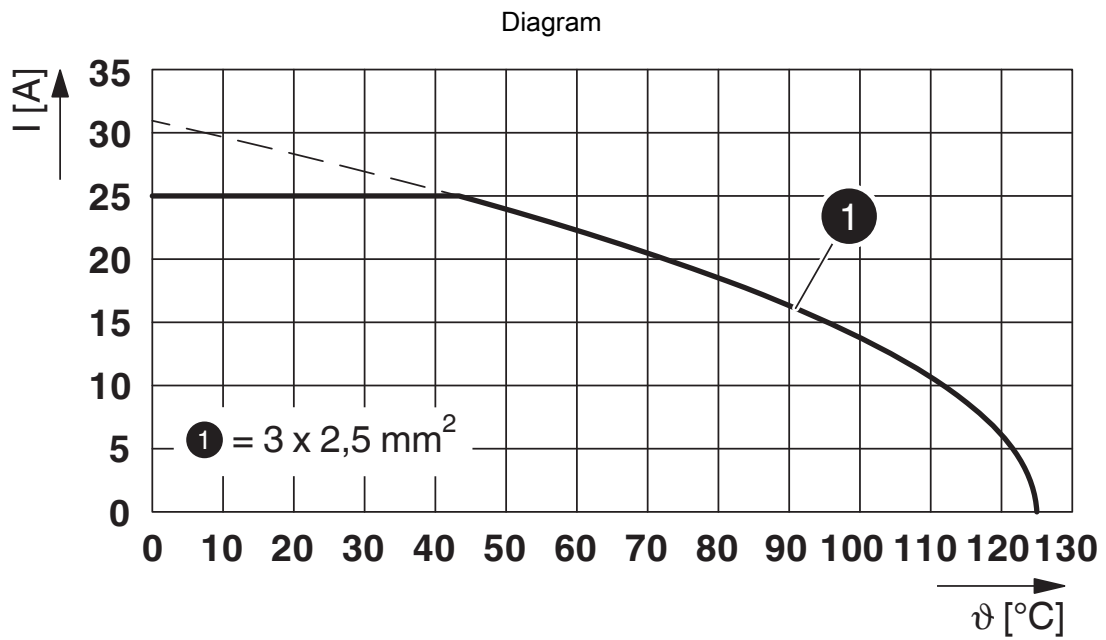


Connector pin assignment

ST-3ES1N8A8002S - Cable connector

1607681

<https://www.phoenixcontact.com/us/products/1607681>



I = current strength, ϑ = ambient temperature, 3x 25 A

ST-3ES1N8A8002S - Cable connector



1607681

<https://www.phoenixcontact.com/us/products/1607681>

Environmental product compliance

EU REACH SVHC

REACH candidate substance (CAS No.)	No substance above 0.1 wt%
-------------------------------------	----------------------------

Phoenix Contact 2026 © - all rights reserved

<https://www.phoenixcontact.com>

Phoenix Contact USA
586 Fulling Mill Road
Middletown, PA 17057, United States
(+717) 944-1300
info@phoenixcon.com