

# ST-17S1N8A8002 - Cable connector



1607639

<https://www.phoenixcontact.com/us/products/1607639>

Please be informed that the data shown in this PDF document is generated from our online catalog. Please find the complete data in the user documentation. Our general terms of use for downloads are valid.



Cable connector, application: Feedback, signal, straight, Screw locking mechanism, M17, number of positions: 17, contact connection type: Socket, shielded: yes, cable diameter range: 3.5 mm ... 5 mm, number of positions: 17, connection method: Crimp connection, series: ST

## Commercial data

Item number	1607639
Packing unit	1 pc
Note	Made to order (non-returnable)
Sales key	NULL
Product key	ABRACA
GTIN	4046356273497
Weight per piece (including packing)	28.81 g
Weight per piece (excluding packing)	28.81 g
Customs tariff number	85366990
Country of origin	DE

# ST-17S1N8A8002 - Cable connector



1607639

<https://www.phoenixcontact.com/us/products/1607639>

## Technical data

### Notes

Order information:	Order crimp contacts Ø 0.6 mm separately
--------------------	--

### Product properties

Product type	Circular connector (cable-side)
Series	ST
Application	Feedback, signal Signal
Number of positions	17
Connection profile	17
Shielded	yes
Coding	N
Thread type	M17

### Material specifications

Seal material	FPM
Housing material	Metal
Housing material	Turned parts: copper zinc alloy (CuZn), die-cast parts: zinc (GD-Zn)
Insulator material	PA 6.6
Gasket and O-ring material	FPM

### Connection data

#### Conductor connection

Connection method	Crimp connection
-------------------	------------------

### Electrical properties

#### Contact

Contact diameter	0.6 mm
Nominal current $I_N$	3.6 A
Nominal voltage $U_N$	60 V
Overvoltage category	III
Degree of pollution	3
Rated surge voltage	1.5 kV

### Connector

Type	straight
Direction of rotation	Standard

### Cable/line

External cable diameter	3.5 mm ... 5 mm
-------------------------	-----------------

# ST-17S1N8A8002 - Cable connector



1607639

<https://www.phoenixcontact.com/us/products/1607639>

## Environmental and real-life conditions

### Ambient conditions

Degree of protection	IP67
Ambient temperature (operation)	-40 °C ... 125 °C
Altitude	3000 m

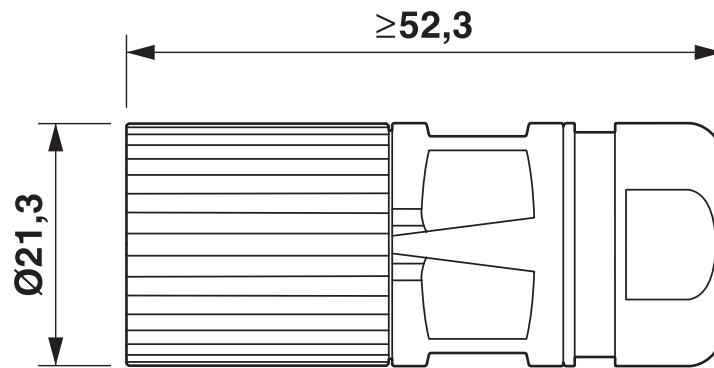
# ST-17S1N8A8002 - Cable connector

1607639

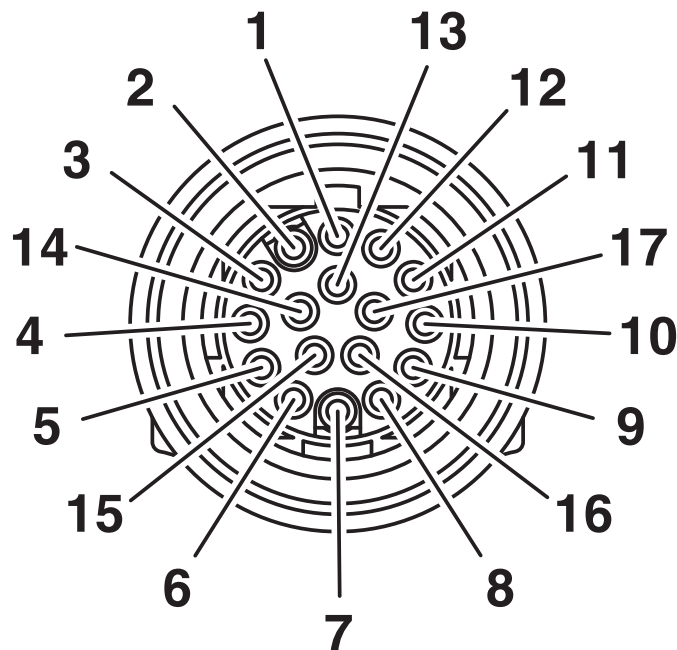
<https://www.phoenixcontact.com/us/products/1607639>

## Drawings

Dimensional drawing



Schematic diagram



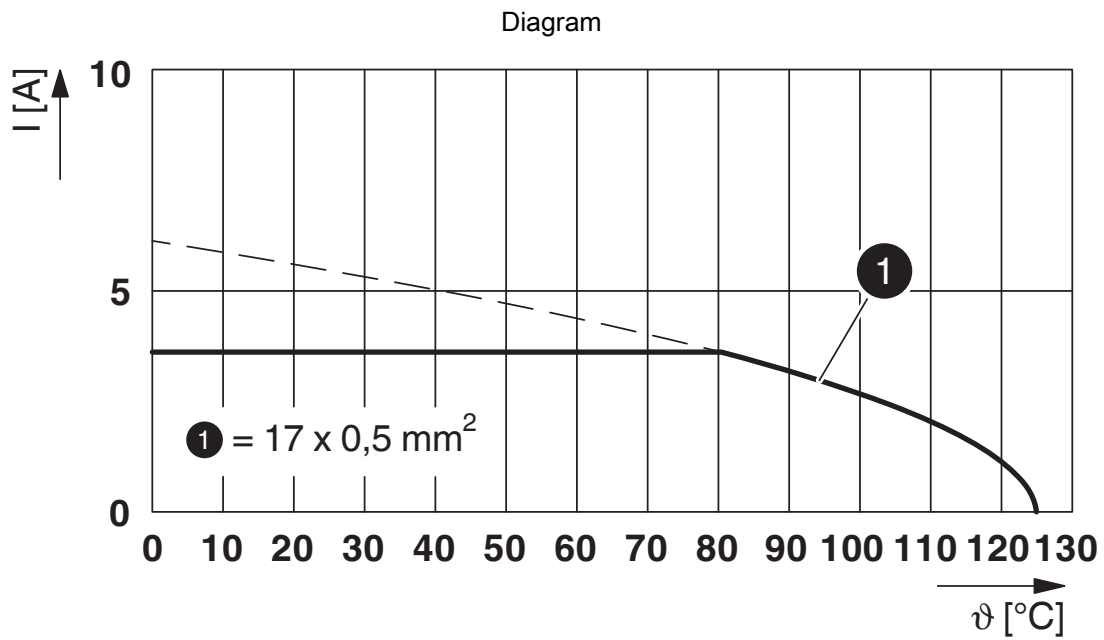
Connector pin assignment

# ST-17S1N8A8002 - Cable connector



1607639

<https://www.phoenixcontact.com/us/products/1607639>



$I$  = current strength,  $\vartheta$  = ambient temperature, 17x 3.6 A

# ST-17S1N8A8002 - Cable connector



1607639

<https://www.phoenixcontact.com/us/products/1607639>

## Environmental product compliance

EU REACH SVHC

REACH candidate substance (CAS No.)	
-------------------------------------	--

	No substance above 0.1 wt%
--	----------------------------

Phoenix Contact 2026 © - all rights reserved

<https://www.phoenixcontact.com>

Phoenix Contact USA  
586 Fulling Mill Road  
Middletown, PA 17057, United States  
(+717) 944-1300  
[info@phoenixcon.com](mailto:info@phoenixcon.com)