

SM-5ES1N8AYW00 - Device connector front mounting with knurled nut



1607532

<https://www.phoenixcontact.com/us/products/1607532>

Please be informed that the data shown in this PDF document is generated from our online catalog. Please find the complete data in the user documentation. Our general terms of use for downloads are valid.



The figure shows the 8-pos. (4+3+PE) product version

Device connector front mounting with knurled nut, application: Power, angled fixed, Screw locking mechanism, M40, number of positions: 2+3+PE, contact connection type: Socket, Axial O-ring, shielded: yes, flange dimensions: 40 mm x 40 mm, number of positions: 6, connection method: Crimp connection, series: SM, this item is expected to be lead-free from Q3 2026 in accordance with RoHS II without exception 6c (Pb < 0.1%), a lead-free alternative is possible on request in advance

Commercial data

| | |
|--------------------------------------|--------------------------------|
| Item number | 1607532 |
| Packing unit | 1 pc |
| Minimum order quantity | 1 pc |
| Note | Made to order (non-returnable) |
| Sales key | AB32 |
| Product key | ABRBGG |
| GTIN | 4046356271509 |
| Weight per piece (including packing) | 593.3 g |
| Weight per piece (excluding packing) | 534.431 g |
| Customs tariff number | 85366990 |
| Country of origin | DE |

SM-5ES1N8AYW00 - Device connector front mounting with knurled nut



1607532

<https://www.phoenixcontact.com/us/products/1607532>

Technical data

Notes

| | |
|--------------------|----------------------------------------------------------|
| Order information: | Order crimp contacts 2 x Ø 2 mm, 4 x Ø 3.6 mm separately |
|--------------------|----------------------------------------------------------|

Safety note

| | |
|-------------|------------------------------------------------------------------------------------------------------------------------------------------------------------------------------------------------------------------------------------------------------------------------------------------------------------------------------------------------------------------------------------------------------------------------------------|
| Safety note | WARNING: The connectors may not be plugged in or disconnected under load. Ignoring the warning or improper use may damage persons and/or property. |
| | • WARNING: Commission properly functioning products only. The products must be regularly inspected for damage. Decommission defective products immediately. Replace damaged products. Repairs are not possible. |
| | • WARNING: Only electrically qualified personnel may install and operate the product. They must observe the following safety notes. The qualified personnel must be familiar with the basics of electrical engineering. They must be able to recognize and prevent danger. The relevant symbol on the packaging indicates that only personnel familiar with electrical engineering are allowed to install and operate the product. |
| | • The products are suitable for applications in plant, controller, and electrical device engineering. |
| | • When operating the connectors in outdoor applications, they must be separately protected against environmental influences. |
| | • Assembled products may not be manipulated or improperly opened. |
| | • Only use mating connectors that are specified in the technical data of the standards listed (e.g. the ones listed in the product accessories online at phoenixcontact.com/products). |
| | • When using the product in direct connection with third-party manufacturers, the user is responsible. |
| | • For operating voltages > 50 V AC, conductive connector housings must be grounded |
| | • Ensure that the protective or functional ground has been properly connected. |
| | • VDE 0100/1.97 § 411.1.3.2 and DIN EN 60 204/11.98 § 14.1.3 are applicable when combining several circuits in a cable and/or connector |
| | • Only use tools recommended by Phoenix Contact |
| | • The installation notes/Design In documents online on the download page at phoenixcontact.com/products must be observed for this product. |
| | • Operate the connector only when it is fully plugged in and interlocked. |

SM-5ES1N8AYW00 - Device connector front mounting with knurled nut



1607532

<https://www.phoenixcontact.com/us/products/1607532>

ambient conditions, the surface of the connector can continue to warm up. In this case, the user is responsible for posting warnings (e.g. DIN EN ISO 13732-1:2008-12).

Mounting

| | |
|---------------|--------------------------------------------|
| Mounting type | Front mounting/square flange (4x Ø 4,2 mm) |
|---------------|--------------------------------------------|

Product properties

| | |
|---------------------|-----------------------------------|
| Product type | Circular connectors (device side) |
| Series | SM |
| Application | Power |
| Number of positions | 6 |
| Connection profile | 2+3+PE |
| Shielded | yes |
| Coding | N |
| Thread type | M40 |

Dimensions

Housing

| | |
|-------------------|---------------|
| Flange dimensions | 40 mm x 40 mm |
|-------------------|---------------|

Material specifications

| | |
|--------------------------|--------------|
| Material Housing | GD-Zn |
| Material Rotating parts | CuZn |
| Material Housing surface | Ni |
| Material Insulating body | PA 6.6 |
| Material Seal | FPM (O-ring) |

Electrical properties

Contact: Contact group 1

| | |
|-----------------------|--------|
| Contact diameter | 3.6 mm |
| Nominal current I_N | 70 A |
| Nominal voltage U_N | 630 V |
| Overvoltage category | III |
| Degree of pollution | 3 |
| Rated surge voltage | 6 kV |

Contact: Contact group 2

| | |
|-----------------------|-------|
| Contact diameter | 2 mm |
| Nominal current I_N | 30 A |
| Nominal voltage U_N | 250 V |
| Overvoltage category | III |
| Degree of pollution | 3 |

SM-5ES1N8AYW00 - Device connector front mounting with knurled nut



1607532

<https://www.phoenixcontact.com/us/products/1607532>

| | |
|---------------------|------|
| Rated surge voltage | 4 kV |
|---------------------|------|

Connection data

Conductor connection

| | |
|-------------------------|------------------|
| Connection method | Crimp connection |
| Contact connection type | Socket |

Connector

| | |
|------|--------------|
| Type | angled fixed |
|------|--------------|

Connection 1

| | |
|-------------|--------|
| Head design | Socket |
|-------------|--------|

Environmental and real-life conditions

Ambient conditions

| | |
|---------------------------------|-------------------|
| Degree of protection | IP67 |
| Ambient temperature (operation) | -40 °C ... 125 °C |
| Altitude | 3000 m |

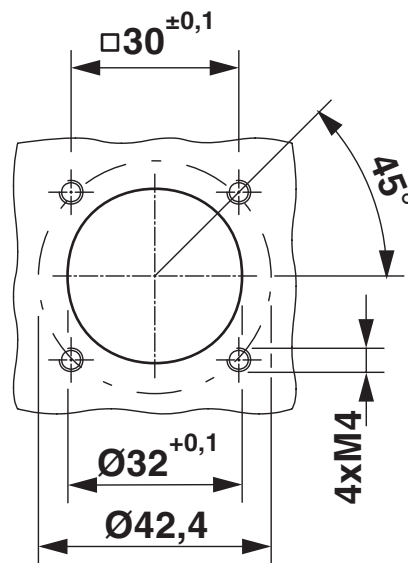
SM-5ES1N8AYW00 - Device connector front mounting with knurled nut

1607532

<https://www.phoenixcontact.com/us/products/1607532>

Drawings

Dimensional drawing



Installation dimensions

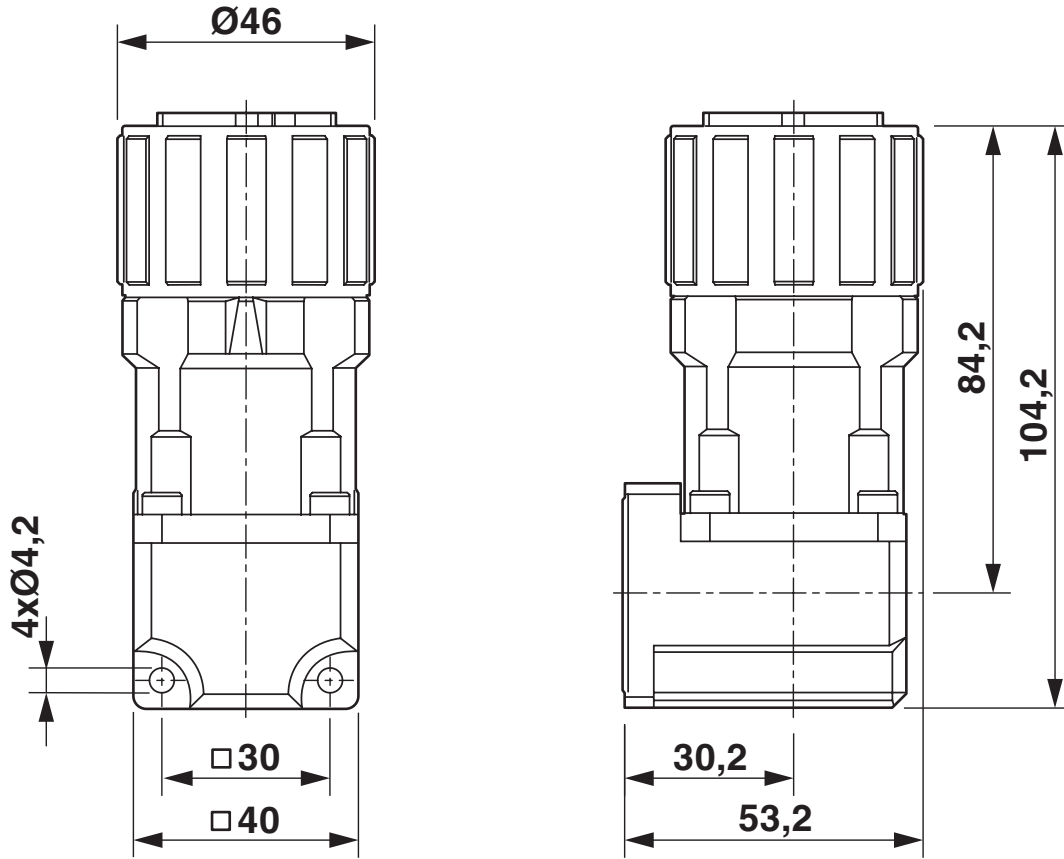
SM-5ES1N8AYW00 - Device connector front mounting with knurled nut



1607532

<https://www.phoenixcontact.com/us/products/1607532>

Dimensional drawing



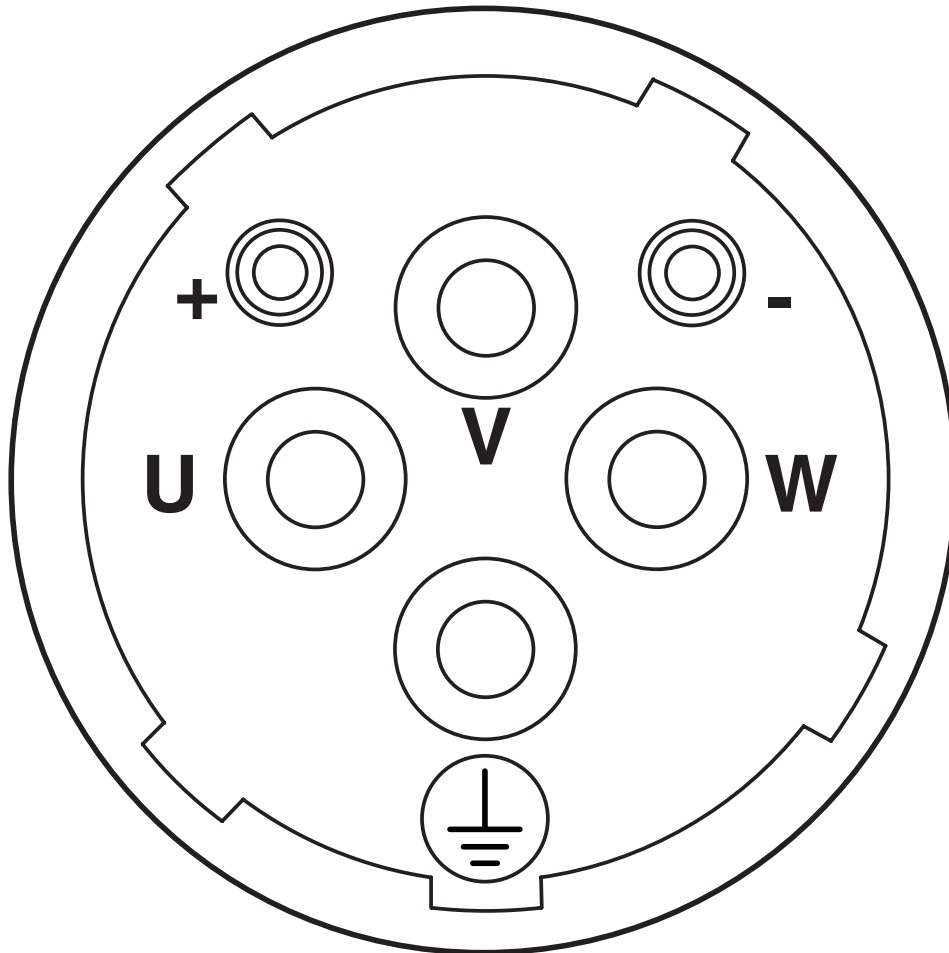
Dimensional drawing

SM-5ES1N8AYW00 - Device connector front mounting with knurled nut

1607532

<https://www.phoenixcontact.com/us/products/1607532>

Schematic diagram



Connector pin assignment

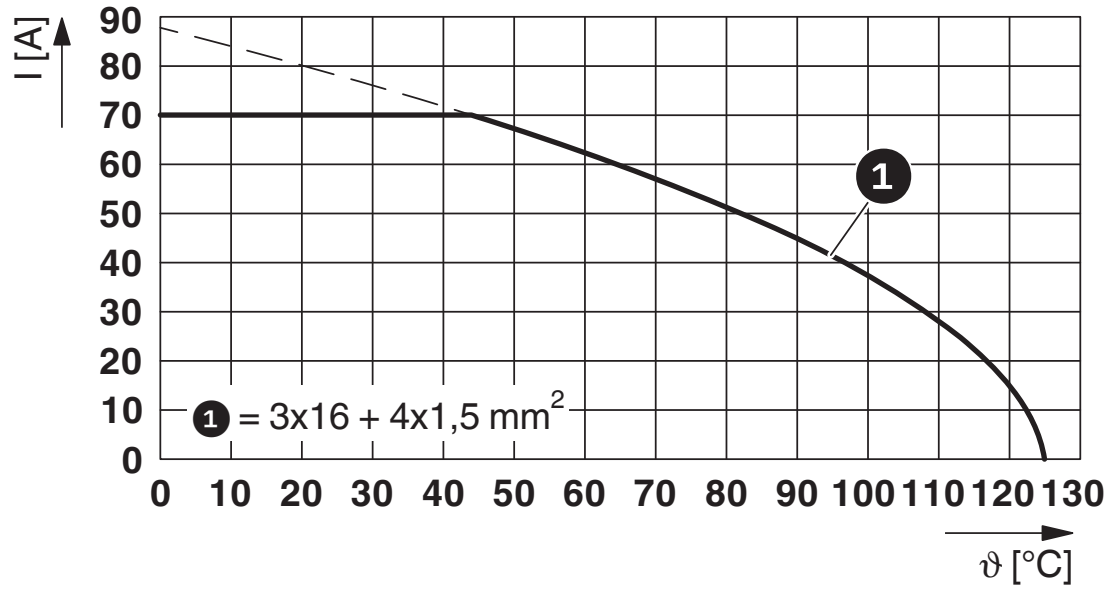
SM-5ES1N8AYW00 - Device connector front mounting with knurled nut



1607532

<https://www.phoenixcontact.com/us/products/1607532>

Diagram



I = current strength, T = ambient temperature

SM-5ES1N8AYW00 - Device connector front mounting with knurled nut





1607532

<https://www.phoenixcontact.com/us/products/1607532>

Approvals

To download certificates, visit the product detail page: <https://www.phoenixcontact.com/us/products/1607532>

|  cUL Recognized Approval ID: E153698-20150903 | | | | |
|------------------------------------------------------------------------------------------------------------------------------------------|-----------------------|-----------------------|-------------------|-----------------------------|
| | Nominal voltage U_N | Nominal current I_N | Cross section AWG | Cross section mm^2 |
| keine | | | | |
| Power | 600 V | 40 A | - | - |
| Signal | 600 V | 20 A | - | - |

|  UL Recognized Approval ID: E153698-20150903 | | | | |
|-----------------------------------------------------------------------------------------------------------------------------------------|-----------------------|-----------------------|-------------------|-----------------------------|
| | Nominal voltage U_N | Nominal current I_N | Cross section AWG | Cross section mm^2 |
| keine | | | | |
| Power | 600 V | 65 A | - | - |
| Signal | 600 V | 30 A | - | - |

SM-5ES1N8AYW00 - Device connector front mounting with knurled nut



1607532

<https://www.phoenixcontact.com/us/products/1607532>

Classifications

ECLASS

| | |
|-------------|----------|
| ECLASS-13.0 | 27440109 |
| ECLASS-15.0 | 27440109 |

ETIM

| | |
|-----------|----------|
| ETIM 10.0 | EC003569 |
|-----------|----------|

UNSPSC

| | |
|-------------|----------|
| UNSPSC 21.0 | 39121400 |
|-------------|----------|

SM-5ES1N8AYW00 - Device connector front mounting with knurled nut



1607532

<https://www.phoenixcontact.com/us/products/1607532>

Environmental product compliance

EU RoHS

| | |
|-----------------------------------------|--------------------|
| Fulfills EU RoHS substance requirements | Yes, No exemptions |
|-----------------------------------------|--------------------|

China RoHS

| | |
|----------------------------------------|------------------------------------------|
| Environment friendly use period (EFUP) | EFUP-E |
| | No hazardous substances above the limits |

EU REACH SVHC

| | |
|-------------------------------------|----------------------------|
| REACH candidate substance (CAS No.) | No substance above 0.1 wt% |
|-------------------------------------|----------------------------|

Phoenix Contact 2026 © - all rights reserved
<https://www.phoenixcontact.com>

Phoenix Contact USA
586 Fulling Mill Road
Middletown, PA 17057, United States
(+717) 944-1300
info@phoenixcon.com