

SF-10KS004 - Crimp contact



1607356

<https://www.phoenixcontact.com/us/products/1607356>

Please be informed that the data shown in this PDF document is generated from our online catalog. Please find the complete data in the user documentation. Our general terms of use for downloads are valid.



Crimp contact, Socket, turned, contact diameter: 1 mm, connection cross section: 0.14 mm² ... 0.5 mm², contact material: CuZn, Alternative product in accordance with RoHS II without Exemption 6c (Pb < 0.1 %) item no.: 1241922

The figure may differ depending on the connection area

Your advantages

- Crimping connection: vibration- and temperature-resistant assembly
- High tensile strength of the connection
- Low contact resistance
- Easy production monitoring

Commercial data

Item number	1607356
Packing unit	100 pc
Minimum order quantity	1 pc
Sales key	AB36
Product key	ABREAD
GTIN	4046356174732
Weight per piece (including packing)	0.273 g
Weight per piece (excluding packing)	0.218 g
Customs tariff number	85366990
Country of origin	DE

SF-10KS004 - Crimp contact

1607356

<https://www.phoenixcontact.com/us/products/1607356>



Technical data

Product properties

Product type	Crimp contact
Contact material type	turned

Connection data

Connection technology

Contact connection type	Socket
Connection method	Crimp connection

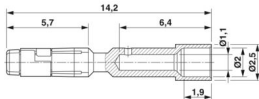
Conductor connection

Connection cross section	0.14 mm ² ... 0.5 mm ²
--------------------------	--

Material specifications

Material Contact	CuZn
Material Metal surface contact area (middle layer)	Ni
Material Metal surface contact area (top layer)	Au

Dimensions

Dimensional drawing	
Diameter (Contact diameter)	1 mm

Mechanical properties

Mechanical data

Insertion/withdrawal cycles	100
-----------------------------	-----

SF-10KS004 - Crimp contact

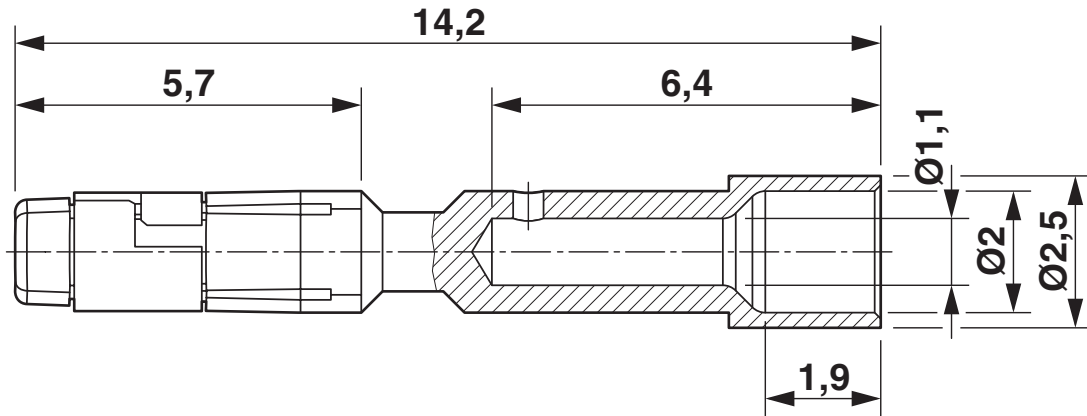
1607356

<https://www.phoenixcontact.com/us/products/1607356>



Drawings

Dimensional drawing



Dimensional drawing

SF-10KS004 - Crimp contact



1607356

<https://www.phoenixcontact.com/us/products/1607356>

Classifications

ECLASS

ECLASS-13.0	27440204
ECLASS-15.0	27440204

ETIM

ETIM 10.0	EC000796
-----------	----------

UNSPSC

UNSPSC 21.0	39121500
-------------	----------

SF-10KS004 - Crimp contact



1607356

<https://www.phoenixcontact.com/us/products/1607356>

Environmental product compliance

EU RoHS

Fulfills EU RoHS substance requirements	Yes
Exemption	6(c)

China RoHS

Environment friendly use period (EFUP)	EFUP-50
	An article-related China RoHS declaration table can be found in the download area for the respective article under "Manufacturer declaration". For all articles with EFUP-E, no China RoHS declaration table issued and required.

EU REACH SVHC

REACH candidate substance (CAS No.)	Lead(CAS: 7439-92-1)
SCIP	f2f7ebdd-771c-41c6-bbc8-ee085156763e

Phoenix Contact 2026 © - all rights reserved

<https://www.phoenixcontact.com>

Phoenix Contact USA
586 Fulling Mill Road
Middletown, PA 17057, United States
(+717) 944-1300
info@phoenixcon.com