

# RF-17S2N8AAD00 - Device connector front mounting



1607354

<https://www.phoenixcontact.com/us/products/1607354>

Please be informed that the data shown in this PDF document is generated from our online catalog. Please find the complete data in the user documentation. Our general terms of use for downloads are valid.



The figure shows the 12-pos. product version with standard contact chamber numbering

Device connector front mounting, application: Signal, angled rotatable, Screw locking mechanism, M23, number of positions: 17, contact connection type: Socket, Axial O-ring, shielded: yes, flange dimensions: 26 mm x 26 mm, number of positions: 17, connection method: Crimp connection, series: RF

## Commercial data

Item number	1607354
Packing unit	16 pc
Minimum order quantity	1 pc
Note	Made to order (non-returnable)
Sales key	AB31
Product key	ABRAGM
GTIN	4046356269391
Weight per piece (including packing)	132 g
Weight per piece (excluding packing)	116.775 g
Customs tariff number	85366990
Country of origin	DE

1607354

<https://www.phoenixcontact.com/us/products/1607354>

## Technical data

### Notes

Order information:	Order crimp contacts Ø 1 mm separately
--------------------	--

### Mounting

Mounting type	Front mounting/square flange (4x Ø 3.2 mm)
---------------	--

### Product properties

Product type	Circular connectors (device side)
Series	RF
Application	Signal
	Signal
Number of positions	17
Connection profile	17
Shielded	yes
Coding	N
Thread type	M23

### Dimensions

#### Housing

Flange dimensions	26 mm x 26 mm
-------------------	---------------

### Material specifications

Material Housing	GD-Zn
Material Rotating parts	CuZn
Material Insulating body	PA 6.6
Material Seal	FPM (O-ring)

### Electrical properties

#### Contact: Contact group 1

Contact diameter	1 mm
Nominal current $I_N$	8 A
Nominal voltage $U_N$	48 V AC
	74 V DC
Overvoltage category	III
Degree of pollution	3
Rated surge voltage	1.5 kV

### Connection data

#### Conductor connection

Connection method	Crimp connection
-------------------	------------------

# RF-17S2N8AAD00 - Device connector front mounting



1607354

<https://www.phoenixcontact.com/us/products/1607354>

Contact connection type	Socket
-------------------------	--------

## Connector

Type	angled rotatable
Direction of rotation	Counter direction

## Environmental and real-life conditions

### Ambient conditions

Degree of protection	IP67
Ambient temperature (operation)	-40 °C ... 125 °C
Altitude	2000 m

# RF-17S2N8AAD00 - Device connector front mounting

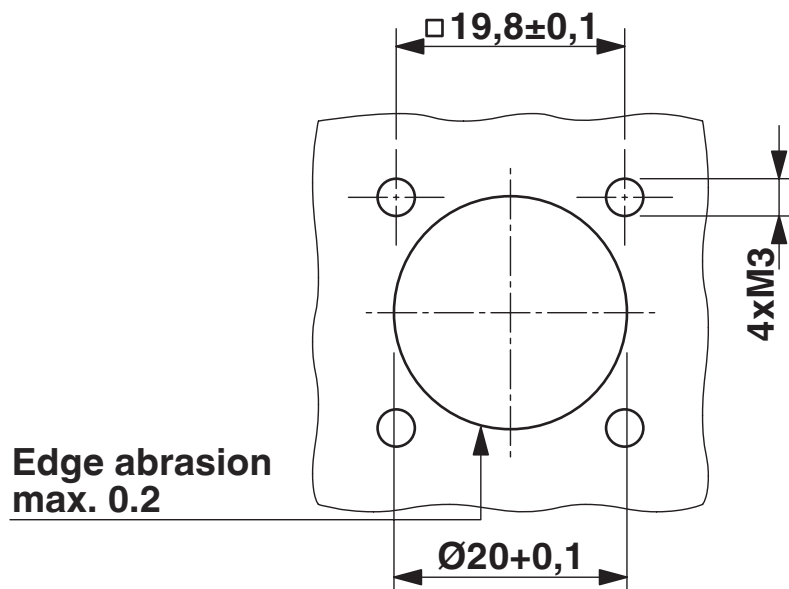


1607354

<https://www.phoenixcontact.com/us/products/1607354>

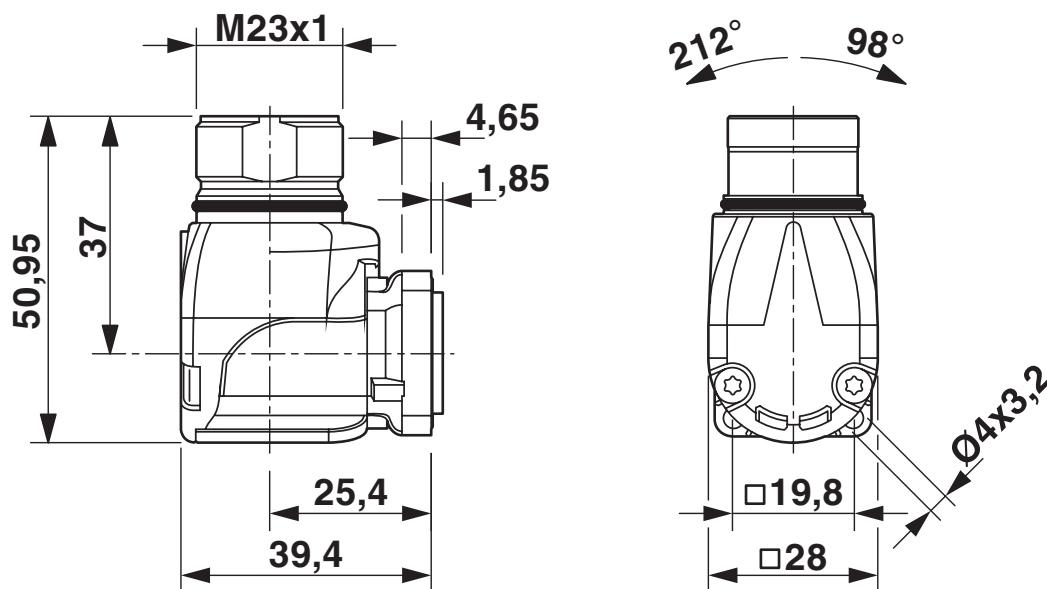
## Drawings

Dimensional drawing



## Installation dimensions

Dimensional drawing

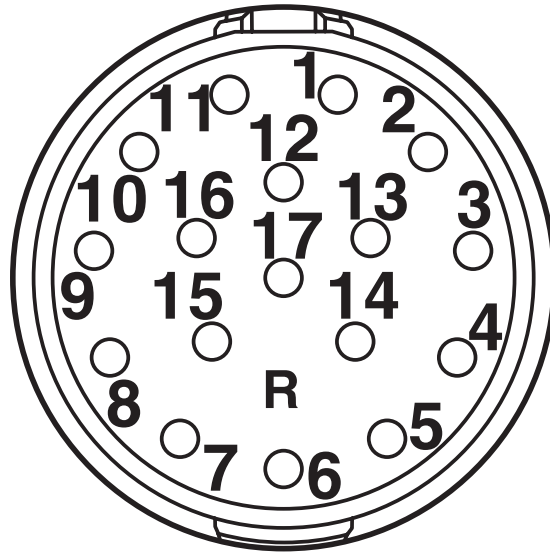


## Dimensional drawing

1607354

<https://www.phoenixcontact.com/us/products/1607354>

Schematic diagram



Connector pin assignment

1607354

<https://www.phoenixcontact.com/us/products/1607354>

## Classifications

### ECLASS

ECLASS-13.0	27440109
ECLASS-15.0	27440109

### ETIM

ETIM 9.0	EC003569
----------	----------

### UNSPSC

UNSPSC 21.0	39121400
-------------	----------

# RF-17S2N8AAD00 - Device connector front mounting



1607354

<https://www.phoenixcontact.com/us/products/1607354>

## Environmental product compliance

### EU RoHS

Fulfills EU RoHS substance requirements	Yes, No exemptions
---	--------------------

### China RoHS

Environment friendly use period (EFUP)	EFUP-E
	No hazardous substances above the limits

### EU REACH SVHC

REACH candidate substance (CAS No.)	No substance above 0.1 wt%
-------------------------------------	----------------------------

Phoenix Contact 2026 © - all rights reserved  
<https://www.phoenixcontact.com>

Phoenix Contact USA  
586 Fulling Mill Road  
Middletown, PA 17057, United States  
(+717) 944-1300  
[info@phoenixcon.com](mailto:info@phoenixcon.com)