

RF-17S1N8A8003 - Cable connector



1607339

<https://www.phoenixcontact.com/us/products/1607339>

Please be informed that the data shown in this PDF document is generated from our online catalog. Please find the complete data in the user documentation. Our general terms of use for downloads are valid.



The figure shows the 12-pos.
product version

Cable connector, application: Feedback, signal, straight, Screw locking mechanism, M23, number of positions: 17, contact connection type: Socket, shielded: yes, degree of protection: IP67, cable diameter range: 9 mm ... 13.2 mm, number of positions: 17, connection method: Crimp connection, series: RF, This product is in the process of being discontinued. This product must no longer be considered for new projects. Please contact your sales representative for alternatives. Alternative products: 1629205

Commercial data

Item number	1607339
Packing unit	20 pc
Minimum order quantity	1 pc
Sales key	AB31
Product key	ABRAGA
GTIN	4046356269223
Weight per piece (including packing)	97.485 g
Weight per piece (excluding packing)	90.649 g
Customs tariff number	85366990
Country of origin	DE

RF-17S1N8A8003 - Cable connector



1607339

<https://www.phoenixcontact.com/us/products/1607339>

Technical data

Notes

Order information:	Order crimp contacts Ø 1 mm separately
--------------------	--

Product properties

Product type	Circular connector (cable-side)
Series	RF
Application	Feedback, signal
Number of positions	17
Connection profile	17
Shielded	yes
Coding	N
Thread type	M23

Material specifications

Material Housing	GD-Zn
Material Rotating parts	CuZn
Material Housing surface	Ni
Material Insulating body	PA 6.6
Material Seal	FPM (O-ring)
Seal material	FPM

Connection data

Conductor connection	
Connection method	Crimp connection

Electrical properties

Contact	
Contact diameter	1 mm
Nominal current I_N	8 A
Nominal voltage U_N	48 V AC
	74 V DC
Overvoltage category	III
Degree of pollution	3
Rated surge voltage	1.5 kV

Connector

Type	straight
Direction of rotation	Standard

Connection 1	
Head design	Socket

RF-17S1N8A8003 - Cable connector



1607339

<https://www.phoenixcontact.com/us/products/1607339>

Head cable outlet	straight
Head thread type	M23

Cable/line

External cable diameter	9 mm ... 13.2 mm
-------------------------	------------------

Environmental and real-life conditions

Ambient conditions

Degree of protection	IP67
Ambient temperature (operation)	-40 °C ... 125 °C
Altitude	2000 m

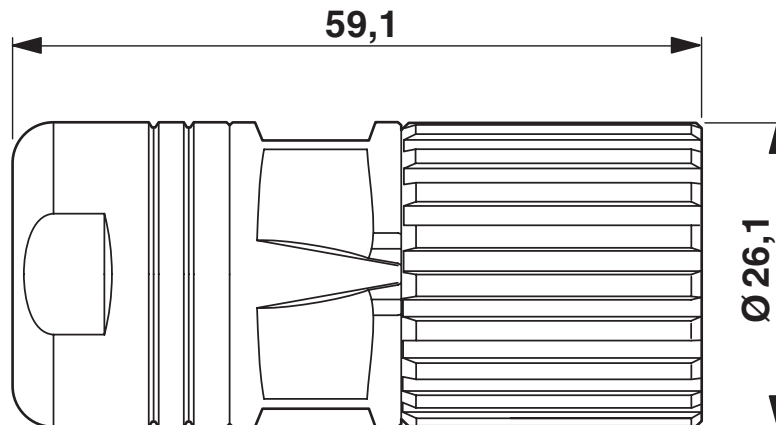
RF-17S1N8A8003 - Cable connector

1607339

<https://www.phoenixcontact.com/us/products/1607339>

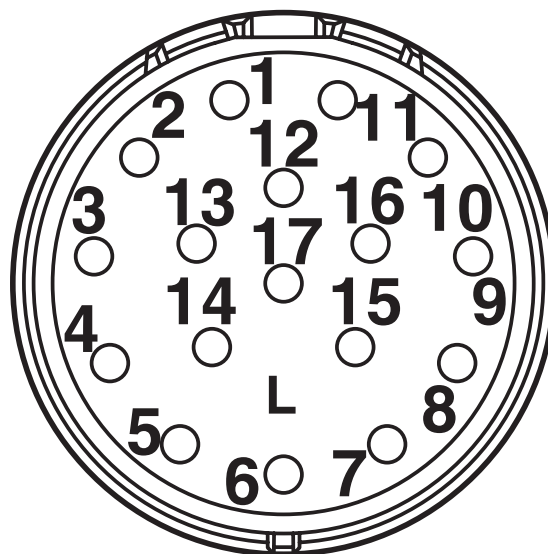
Drawings

Dimensional drawing



Dimensional drawing

Schematic diagram



Connector pin assignment

RF-17S1N8A8003 - Cable connector





1607339

<https://www.phoenixcontact.com/us/products/1607339>

Approvals

To download certificates, visit the product detail page: <https://www.phoenixcontact.com/us/products/1607339>

 cUL Recognized Approval ID: E153698-20090723				
	Nominal voltage U_N	Nominal current I_N	Cross section AWG	Cross section mm^2
keine				
	48 V	1 A	26	-

 UL Recognized Approval ID: E153698-20090723				
	Nominal voltage U_N	Nominal current I_N	Cross section AWG	Cross section mm^2
keine				
	48 V	1 A	26	-

RF-17S1N8A8003 - Cable connector



1607339

<https://www.phoenixcontact.com/us/products/1607339>

Classifications

ECLASS

ECLASS-13.0	27440116
ECLASS-15.0	27440116

ETIM

ETIM 10.0	EC002635
-----------	----------

UNSPSC

UNSPSC 21.0	39121400
-------------	----------

RF-17S1N8A8003 - Cable connector



1607339

<https://www.phoenixcontact.com/us/products/1607339>

Environmental product compliance

EU RoHS

Fulfills EU RoHS substance requirements	Yes
Exemption	6(c)

China RoHS

Environment friendly use period (EFUP)	EFUP-50
	An article-related China RoHS declaration table can be found in the download area for the respective article under "Manufacturer declaration". For all articles with EFUP-E, no China RoHS declaration table issued and required.

EU REACH SVHC

REACH candidate substance (CAS No.)	Lead(CAS: 7439-92-1)
SCIP	1a82f056-e31f-44b2-a616-0cfac99c86e7

Phoenix Contact 2026 © - all rights reserved

<https://www.phoenixcontact.com>

Phoenix Contact USA
586 Fulling Mill Road
Middletown, PA 17057, United States
(+717) 944-1300
info@phoenixcon.com