

# RF-17S1N8A8002 - Cable connector



1607338

<https://www.phoenixcontact.com/us/products/1607338>

Please be informed that the data shown in this PDF document is generated from our online catalog. Please find the complete data in the user documentation. Our general terms of use for downloads are valid.



The figure shows the 12-pos.  
product version

Cable connector, application: Feedback, signal, straight, Screw locking mechanism, M23, number of positions: 17, contact connection type: Socket, shielded: yes, degree of protection: IP67, cable diameter range: 6 mm ... 10 mm, number of positions: 17, connection method: Crimp connection, series: RF, This product is in the process of being discontinued. This product must no longer be considered for new projects. Please contact your sales representative for alternatives. Alternative products: 1629206

## Commercial data

Item number	1607338
Packing unit	20 pc
Minimum order quantity	1 pc
Note	Made to order (non-returnable)
Sales key	AB31
Product key	ABRAGA
GTIN	4046356269216
Weight per piece (including packing)	95.1 g
Weight per piece (excluding packing)	91.756 g
Customs tariff number	85366990
Country of origin	DE

# RF-17S1N8A8002 - Cable connector



1607338

<https://www.phoenixcontact.com/us/products/1607338>

## Technical data

### Notes

Order information:	Order crimp contacts Ø 1 mm separately
--------------------	--

### Product properties

Product type	Circular connector (cable-side)
Series	RF
Application	Feedback, signal
Number of positions	17
Connection profile	17
Shielded	yes
Coding	N
Thread type	M23

### Material specifications

Material Housing	GD-Zn
Material Rotating parts	CuZn
Material Housing surface	Ni
Material Insulating body	PA 6.6
Material Seal	FPM (O-ring)

### Connection data

#### Conductor connection

Connection method	Crimp connection
-------------------	------------------

### Electrical properties

#### Contact

Contact diameter	1 mm
Nominal current $I_N$	8 A
Nominal voltage $U_N$	48 V AC
	74 V DC
Overvoltage category	III
Degree of pollution	3
Rated surge voltage	1.5 kV

### Connector

Type	straight
Direction of rotation	Standard

#### Connection 1

Head design	Socket
Head cable outlet	straight

# RF-17S1N8A8002 - Cable connector



1607338

<https://www.phoenixcontact.com/us/products/1607338>

Head thread type	M23
------------------	-----

## Cable/line

External cable diameter	6 mm ... 10 mm
-------------------------	----------------

## Environmental and real-life conditions

### Ambient conditions

Degree of protection	IP67
Ambient temperature (operation)	-40 °C ... 125 °C
Altitude	2000 m

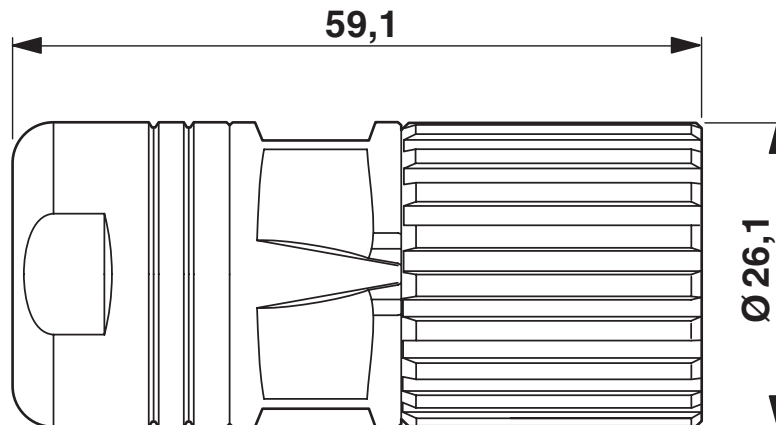
# RF-17S1N8A8002 - Cable connector

1607338

<https://www.phoenixcontact.com/us/products/1607338>

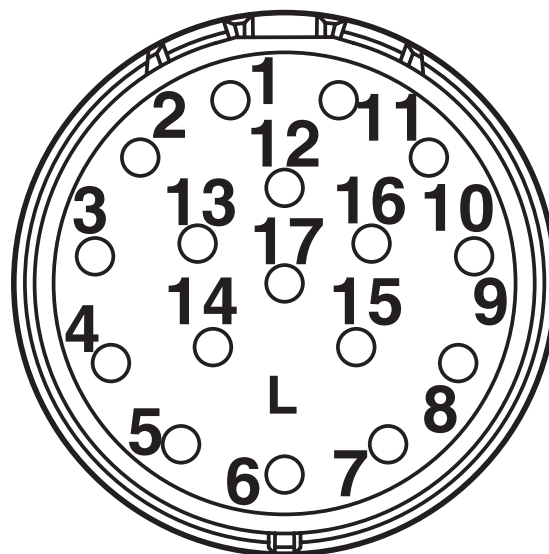
## Drawings

Dimensional drawing



Dimensional drawing

Schematic diagram



Connector pin assignment

# RF-17S1N8A8002 - Cable connector




1607338

<https://www.phoenixcontact.com/us/products/1607338>

## Approvals

To download certificates, visit the product detail page: <https://www.phoenixcontact.com/us/products/1607338>

 <b>cUL Recognized</b> Approval ID: E153698-20090723				
	Nominal voltage $U_N$	Nominal current $I_N$	Cross section AWG	Cross section $\text{mm}^2$
keine				
	48 V	1 A	26	-

 <b>UL Recognized</b> Approval ID: E153698-20090723				
	Nominal voltage $U_N$	Nominal current $I_N$	Cross section AWG	Cross section $\text{mm}^2$
keine				
	48 V	1 A	26	-

# RF-17S1N8A8002 - Cable connector



1607338

<https://www.phoenixcontact.com/us/products/1607338>

## Classifications

### ECLASS

ECLASS-13.0	27440116
ECLASS-15.0	27440116

### ETIM

ETIM 10.0	EC002635
-----------	----------

### UNSPSC

UNSPSC 21.0	39121400
-------------	----------

# RF-17S1N8A8002 - Cable connector



1607338

<https://www.phoenixcontact.com/us/products/1607338>

## Environmental product compliance

### EU RoHS

Fulfills EU RoHS substance requirements	Yes
Exemption	6(c)

### China RoHS

Environment friendly use period (EFUP)	EFUP-50
	An article-related China RoHS declaration table can be found in the download area for the respective article under "Manufacturer declaration". For all articles with EFUP-E, no China RoHS declaration table issued and required.

### EU REACH SVHC

REACH candidate substance (CAS No.)	Lead(CAS: 7439-92-1)
SCIP	317ea007-2b28-448c-9972-471535fe08d7

Phoenix Contact 2026 © - all rights reserved  
<https://www.phoenixcontact.com>

Phoenix Contact USA  
586 Fulling Mill Road  
Middletown, PA 17057, United States  
(+717) 944-1300  
[info@phoenixcon.com](mailto:info@phoenixcon.com)