

# RF-17P2N8A9002 - Coupler connector



1607332

<https://www.phoenixcontact.com/us/products/1607332>

Please be informed that the data shown in this PDF document is generated from our online catalog. Please find the complete data in the user documentation. Our general terms of use for downloads are valid.



The figure shows the 12-pos. product version with standard contact chamber numbering

Coupler connector, application: Feedback, signal, straight, Screw locking mechanism, M23, number of positions: 17, contact connection type: Pin, shielded: yes, cable diameter range: 6 mm ... 10 mm, number of positions: 17, connection method: Crimp connection, series: RF, Alternative product in accordance with RoHS II without Exemption 6c (Pb < 0.1 %) item no.: 1242281

## Commercial data

Item number	1607332
Packing unit	20 pc
Minimum order quantity	20 pc
Note	Made to order (non-returnable)
Sales key	AB31
Product key	ABRAGG
GTIN	4046356269124
Weight per piece (including packing)	96.48 g
Weight per piece (excluding packing)	96.48 g
Customs tariff number	85366990
Country of origin	DE

# RF-17P2N8A9002 - Coupler connector



1607332

<https://www.phoenixcontact.com/us/products/1607332>

## Technical data

### Notes

Order information:	Order crimp contacts Ø 1 mm separately
--------------------	--

### Product properties

Product type	Circular connector (cable-side)
Series	RF
Application	Feedback, signal Signal
Number of positions	17
Connection profile	17
Shielded	yes
Coding	N
Thread type	M23

### Material specifications

Seal material	FPM
Housing material	Metal
Housing material	Turned parts: copper zinc alloy (CuZn), die-cast parts: zinc (GD-Zn)
Insulator material	PA 6.6
Gasket and O-ring material	FPM

### Connection data

#### Conductor connection

Connection method	Crimp connection
-------------------	------------------

### Electrical properties

#### Contact

Contact diameter	1 mm
Nominal voltage $U_N$	48 V AC 74 V DC
Overvoltage category	III
Degree of pollution	3
Rated surge voltage	1.5 kV

### Connector

Type	straight
Direction of rotation	Counter direction

### Cable/line

External cable diameter	6 mm ... 10 mm
-------------------------	----------------

# RF-17P2N8A9002 - Coupler connector



1607332

<https://www.phoenixcontact.com/us/products/1607332>

## Environmental and real-life conditions

### Ambient conditions

Degree of protection	IP67
Ambient temperature (operation)	-40 °C ... 125 °C
Altitude	2000 m

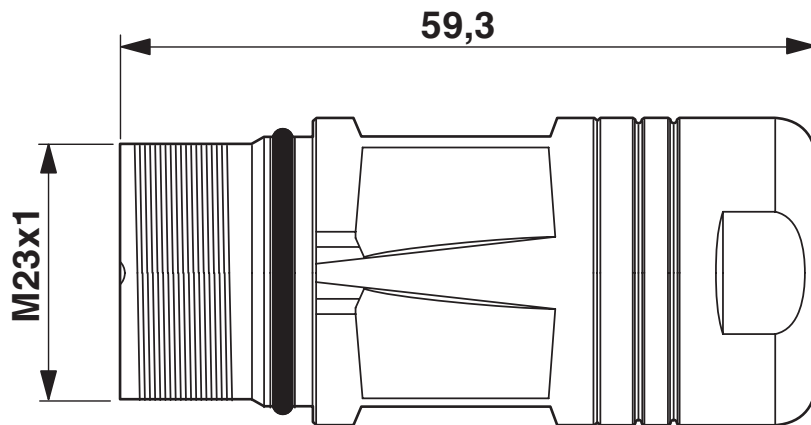
# RF-17P2N8A9002 - Coupler connector

1607332

<https://www.phoenixcontact.com/us/products/1607332>

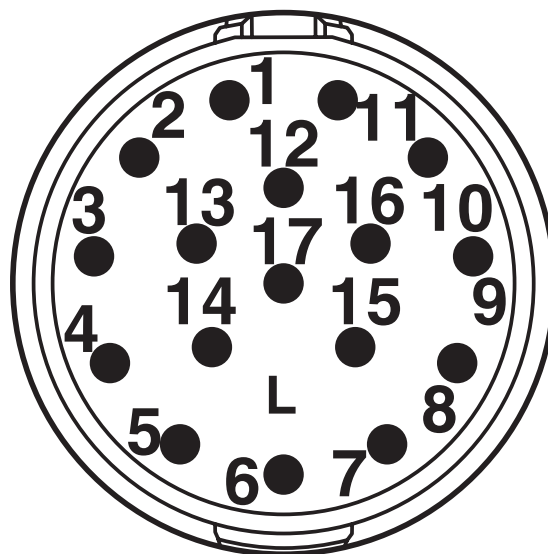
## Drawings

Dimensional drawing



Dimensional drawing

Schematic diagram



Connector pin assignment

# RF-17P2N8A9002 - Coupler connector



1607332

<https://www.phoenixcontact.com/us/products/1607332>

## Classifications

### ECLASS

ECLASS-13.0	27440116
-------------	----------

### UNSPSC

UNSPSC 21.0	39121400
-------------	----------

# RF-17P2N8A9002 - Coupler connector



1607332

<https://www.phoenixcontact.com/us/products/1607332>

## Environmental product compliance

### EU RoHS

Fulfills EU RoHS substance requirements	Yes
Exemption	6(c)

### China RoHS

Environment friendly use period (EFUP)	EFUP-50
	An article-related China RoHS declaration table can be found in the download area for the respective article under "Manufacturer declaration". For all articles with EFUP-E, no China RoHS declaration table issued and required.

### EU REACH SVHC

REACH candidate substance (CAS No.)	Lead(CAS: 7439-92-1)
SCIP	f9043e9e-4091-479e-8838-196a8d57b394

Phoenix Contact 2026 © - all rights reserved

<https://www.phoenixcontact.com>

Phoenix Contact USA  
586 Fulling Mill Road  
Middletown, PA 17057, United States  
(+717) 944-1300  
[info@phoenixcon.com](mailto:info@phoenixcon.com)