

RF-17P1N8A8002 - Cable connector



1607320

<https://www.phoenixcontact.com/us/products/1607320>

Please be informed that the data shown in this PDF document is generated from our online catalog. Please find the complete data in the user documentation. Our general terms of use for downloads are valid.



The figure shows the 12-pos.
product version

Cable connector, application: Feedback, signal, straight, Screw locking mechanism, M23, number of positions: 17, contact connection type: Pin, shielded: yes, cable diameter range: 6 mm ... 10 mm, number of positions: 17, connection method: Crimp connection, series: RF

Commercial data

Item number	1607320
Packing unit	1 pc
Minimum order quantity	1 pc
Note	Made to order (non-returnable)
Sales key	AB31
Product key	ABRAGA
GTIN	4046356268998
Weight per piece (including packing)	97.07 g
Weight per piece (excluding packing)	46.96 g
Customs tariff number	85366990
Country of origin	DE

RF-17P1N8A8002 - Cable connector



1607320

<https://www.phoenixcontact.com/us/products/1607320>

Technical data

Notes

Order information:	Order crimp contacts \varnothing 1 mm separately
--------------------	--

Product properties

Product type	Circular connector (cable-side)
Series	RF
Application	Feedback, signal Signal
Number of positions	17
Connection profile	17
Shielded	yes
Coding	N
Thread type	M23

Material specifications

Seal material	FPM
Housing material	Metal
Housing material	Turned parts: copper zinc alloy (CuZn), die-cast parts: zinc (GD-Zn)
Insulator material	PA 6.6
Gasket and O-ring material	FPM

Connection data

Conductor connection

Connection method	Crimp connection
-------------------	------------------

Electrical properties

Contact

Contact diameter	1 mm
Nominal current I_N	8 A
Nominal voltage U_N	48 V AC 74 V DC
Overvoltage category	III
Degree of pollution	3
Rated surge voltage	1.5 kV

Connector

Type	straight
Direction of rotation	Standard

Cable/line

RF-17P1N8A8002 - Cable connector



1607320

<https://www.phoenixcontact.com/us/products/1607320>

External cable diameter	6 mm ... 10 mm
-------------------------	----------------

Environmental and real-life conditions

Ambient conditions

Degree of protection	IP67
Ambient temperature (operation)	-40 °C ... 125 °C
Altitude	2000 m

RF-17P1N8A8002 - Cable connector

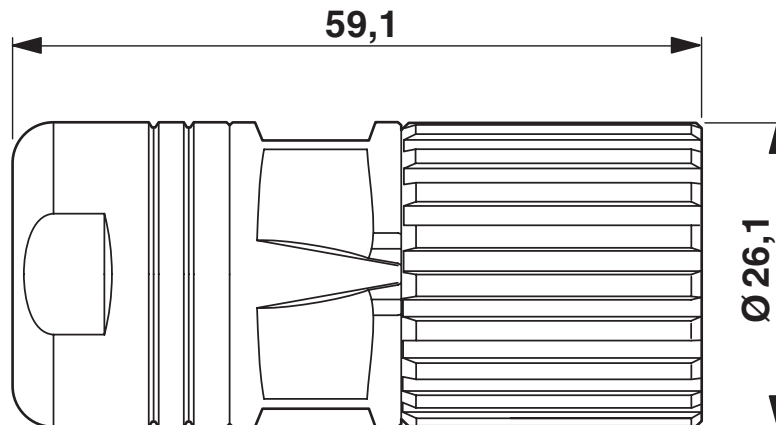
1607320

<https://www.phoenixcontact.com/us/products/1607320>

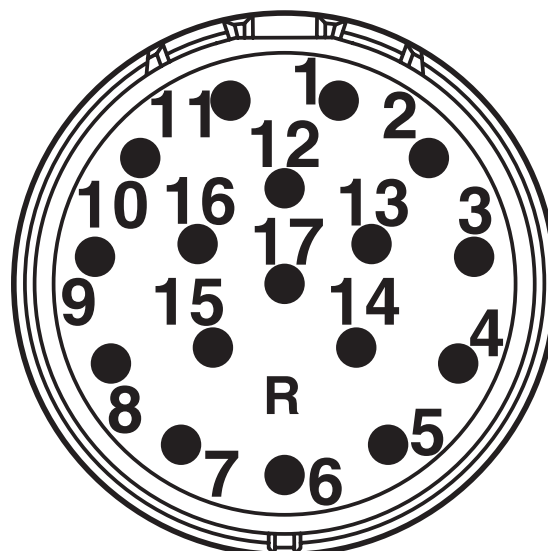


Drawings

Dimensional drawing



Schematic diagram



Contact chamber numbering (view of plug-in side), standard pin

RF-17P1N8A8002 - Cable connector



1607320

<https://www.phoenixcontact.com/us/products/1607320>

Classifications

UNSPSC

UNSPSC 21.0	39121400
-------------	----------

RF-17P1N8A8002 - Cable connector



1607320

<https://www.phoenixcontact.com/us/products/1607320>

Environmental product compliance

EU RoHS

Fulfills EU RoHS substance requirements	Yes
Exemption	6(c)

China RoHS

Environment friendly use period (EFUP)	EFUP-50
	An article-related China RoHS declaration table can be found in the download area for the respective article under "Manufacturer declaration". For all articles with EFUP-E, no China RoHS declaration table issued and required.

EU REACH SVHC

REACH candidate substance (CAS No.)	Lead(CAS: 7439-92-1)
-------------------------------------	----------------------

Phoenix Contact 2026 © - all rights reserved
<https://www.phoenixcontact.com>

Phoenix Contact USA
586 Fulling Mill Road
Middletown, PA 17057, United States
(+717) 944-1300
info@phoenixcon.com