

# RF-12S1N8AA200 - Device connector front mounting



1607279

<https://www.phoenixcontact.com/us/products/1607279>

Please be informed that the data shown in this PDF document is generated from our online catalog. Please find the complete data in the user documentation. Our general terms of use for downloads are valid.



Device connector front mounting, application: Signal, angled fixed, Screw locking mechanism, M23, number of positions: 12, contact connection type: Socket, Axial O-ring, shielded: yes, flange dimensions: 26 mm x 26 mm, number of positions: 12, connection method: Crimp connection, series: RF, This product is in the process of being discontinued. This product must no longer be considered for new projects. Please contact your sales representative for alternatives.

## Commercial data

Item number	1607279
Packing unit	10 pc
Minimum order quantity	1 pc
Note	Made to order (non-returnable)
Sales key	AB31
Product key	ABRAGM
GTIN	4046356268479
Weight per piece (including packing)	140.5 g
Weight per piece (excluding packing)	133.003 g
Customs tariff number	85366990
Country of origin	DE

1607279

<https://www.phoenixcontact.com/us/products/1607279>

## Technical data

### Notes

Order information:	Order crimp contacts Ø 1 mm separately
--------------------	--

### Mounting

Mounting type	Front mounting/square flange (4x Ø 3.2 mm)
---------------	--

### Product properties

Product type	Circular connectors (device side)
Series	RF
Application	Signal
	Signal
Number of positions	12
Connection profile	12
Shielded	yes
Coding	N
Thread type	M23

### Dimensions

#### Housing

Flange dimensions	26 mm x 26 mm
-------------------	---------------

### Material specifications

Material Housing	GD-Zn
Material Rotating parts	CuZn
Material Housing surface	Ni
Material Insulating body	PA 6.6
Material Seal	FPM (O-ring)

### Electrical properties

#### Contact

Contact diameter	1 mm
Nominal current $I_N$	8 A
Nominal voltage $U_N$	48 V AC
	74 V DC
Overvoltage category	III
Degree of pollution	3
Rated surge voltage	1.5 kV

### Connection data

#### Conductor connection

# RF-12S1N8AA200 - Device connector front mounting



1607279

<https://www.phoenixcontact.com/us/products/1607279>

Connection method	Crimp connection
Contact connection type	Socket

## Connector

Type	angled fixed
Direction of rotation	Standard

## Environmental and real-life conditions

### Ambient conditions

Degree of protection	IP67
Ambient temperature (operation)	-40 °C ... 125 °C
Altitude	2000 m

# RF-12S1N8AA200 - Device connector front mounting

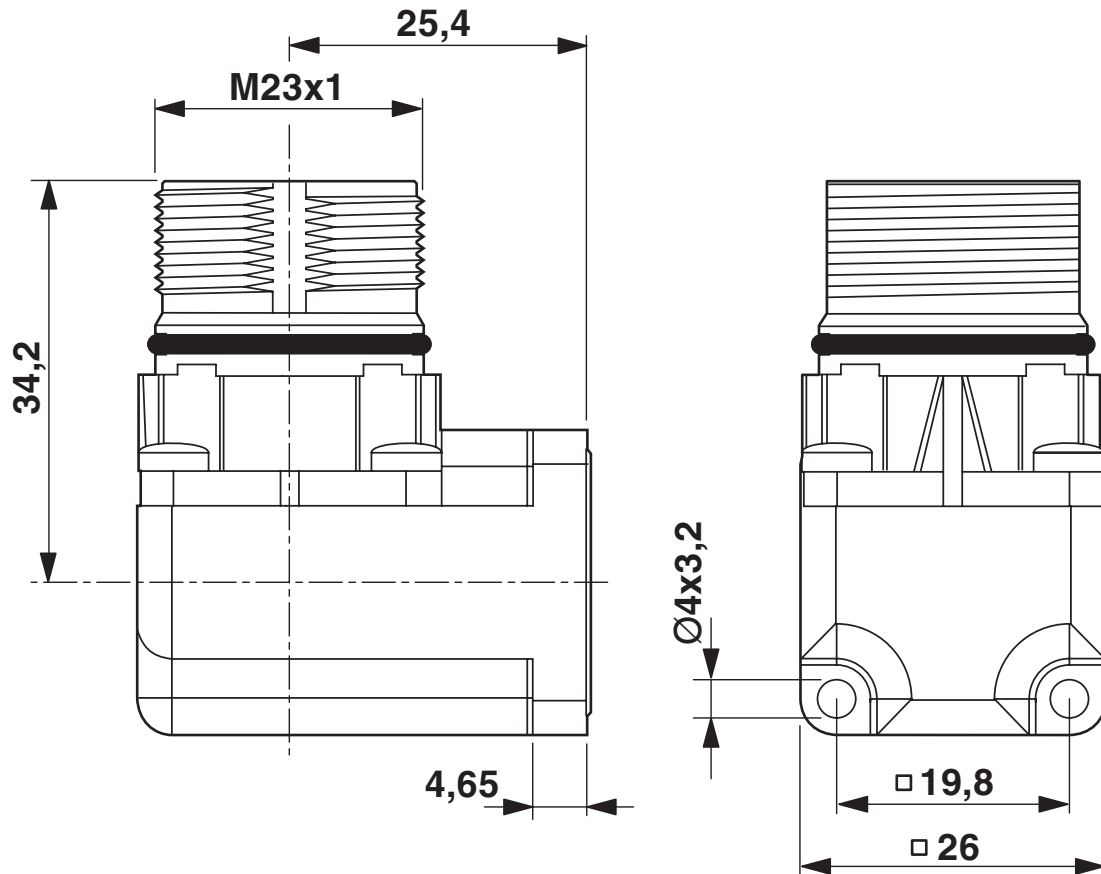


1607279

<https://www.phoenixcontact.com/us/products/1607279>

## Drawings

Dimensional drawing



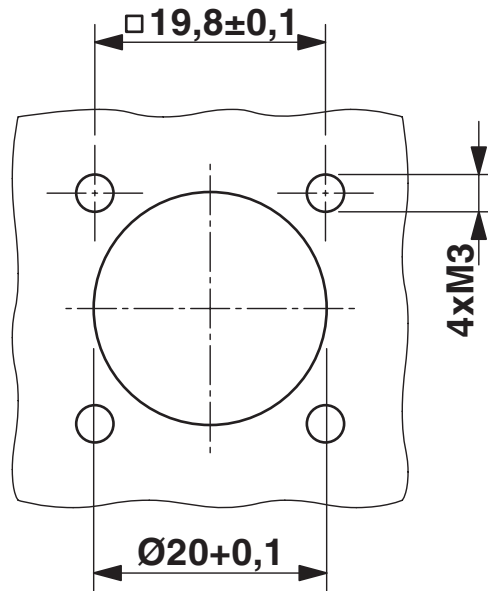
Dimensional drawing

# RF-12S1N8AA200 - Device connector front mounting

1607279

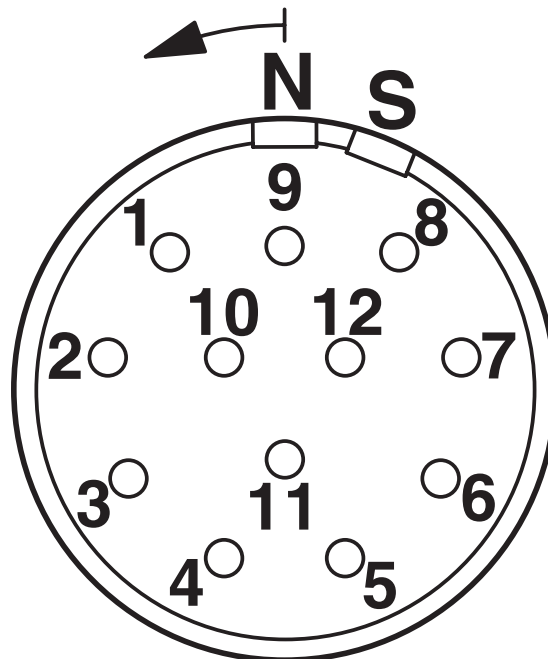
<https://www.phoenixcontact.com/us/products/1607279>

Dimensional drawing



Installation dimensions

Schematic diagram



Connector pin assignment

# RF-12S1N8AA200 - Device connector front mounting



1607279

<https://www.phoenixcontact.com/us/products/1607279>

## Approvals

To download certificates, visit the product detail page: <https://www.phoenixcontact.com/us/products/1607279>

 <b>cUL Recognized</b> Approval ID: E153698-20090723				
	Nominal voltage $U_N$	Nominal current $I_N$	Cross section AWG	Cross section $\text{mm}^2$
keine				
	48 V	5 A	20	-

 <b>UL Recognized</b> Approval ID: E153698-20090723				
	Nominal voltage $U_N$	Nominal current $I_N$	Cross section AWG	Cross section $\text{mm}^2$
keine				
	48 V	5 A	20	-

# RF-12S1N8AA200 - Device connector front mounting



1607279

<https://www.phoenixcontact.com/us/products/1607279>

## Classifications

### ECLASS

ECLASS-13.0	27440109
ECLASS-15.0	27440109

### ETIM

ETIM 10.0	EC003569
-----------	----------

### UNSPSC

UNSPSC 21.0	39121400
-------------	----------

1607279

<https://www.phoenixcontact.com/us/products/1607279>

## Environmental product compliance

### EU RoHS

Fulfills EU RoHS substance requirements	Yes
Exemption	6(c)

### China RoHS

Environment friendly use period (EFUP)	EFUP-50
	An article-related China RoHS declaration table can be found in the download area for the respective article under "Manufacturer declaration". For all articles with EFUP-E, no China RoHS declaration table issued and required.

### EU REACH SVHC

REACH candidate substance (CAS No.)	Lead(CAS: 7439-92-1)
SCIP	891ed791-28c7-4124-b1bf-1654c627993c

Phoenix Contact 2026 © - all rights reserved

<https://www.phoenixcontact.com>

Phoenix Contact USA  
586 Fulling Mill Road  
Middletown, PA 17057, United States  
(+717) 944-1300  
[info@phoenixcon.com](mailto:info@phoenixcon.com)