

# RF-12P2N8AAD00 - Device connector front mounting



1607257

<https://www.phoenixcontact.com/us/products/1607257>

Please be informed that the data shown in this PDF document is generated from our online catalog. Please find the complete data in the user documentation. Our general terms of use for downloads are valid.



The figure shows the product version with standard contact chamber numbering

Device connector front mounting, application: Signal, angled rotatable, Screw locking mechanism, M23, number of positions: 12, contact connection type: Pin, Axial O-ring, shielded: yes, flange dimensions: 26 mm x 26 mm, number of positions: 12, connection method: Crimp connection, series: RF, This product is in the process of being discontinued. This product must no longer be considered for new projects. Please contact your sales representative for alternatives. Alternative products: 1069328

## Your advantages

- Easy connection, thanks to infinitely adjustable cable outlet direction up to 310°
- Safe use in the field, thanks to high degree of protection
- Connector for flexible on-site assembly
- Consistent EMC protection for reliable connection solutions in the industrial environment
- Crimping connection: vibration- and temperature-resistant assembly

## Commercial data

Item number	1607257
Packing unit	1 pc
Minimum order quantity	1 pc
Sales key	AB31
Product key	ABRAGM
GTIN	4046356175036
Weight per piece (including packing)	124.7 g
Weight per piece (excluding packing)	117.069 g
Customs tariff number	85366990
Country of origin	DE

1607257

<https://www.phoenixcontact.com/us/products/1607257>

## Technical data

### Notes

Order information:	Order crimp contacts Ø 1 mm separately
--------------------	--

### Mounting

Mounting type	Front mounting/square flange (4x Ø 3.2 mm)
---------------	--

### Product properties

Product type	Circular connectors (device side)
Series	RF
Application	Signal
Number of positions	12
Connection profile	12
Shielded	yes
Coding	N
Thread type	M23

### Dimensions

#### Housing

Flange dimensions	26 mm x 26 mm
-------------------	---------------

### Material specifications

Material Housing	GD-Zn
Material Rotating parts	CuZn
Material Insulating body	PA 6.6
Material Seal	FPM (O-ring)

### Electrical properties

#### Contact

Contact diameter	1 mm
Nominal current $I_N$	8 A
Nominal voltage $U_N$	48 V AC
	74 V DC
Overvoltage category	III
Degree of pollution	3
Rated surge voltage	1.5 kV

### Connection data

#### Conductor connection

Connection method	Crimp connection
Contact connection type	Pin

# RF-12P2N8AAD00 - Device connector front mounting



1607257

<https://www.phoenixcontact.com/us/products/1607257>

## Connector

Type	angled rotatable
Direction of rotation	Counter direction

## Environmental and real-life conditions

### Ambient conditions

Degree of protection	IP67
Ambient temperature (operation)	-40 °C ... 125 °C
Altitude	2000 m

# RF-12P2N8AAD00 - Device connector front mounting

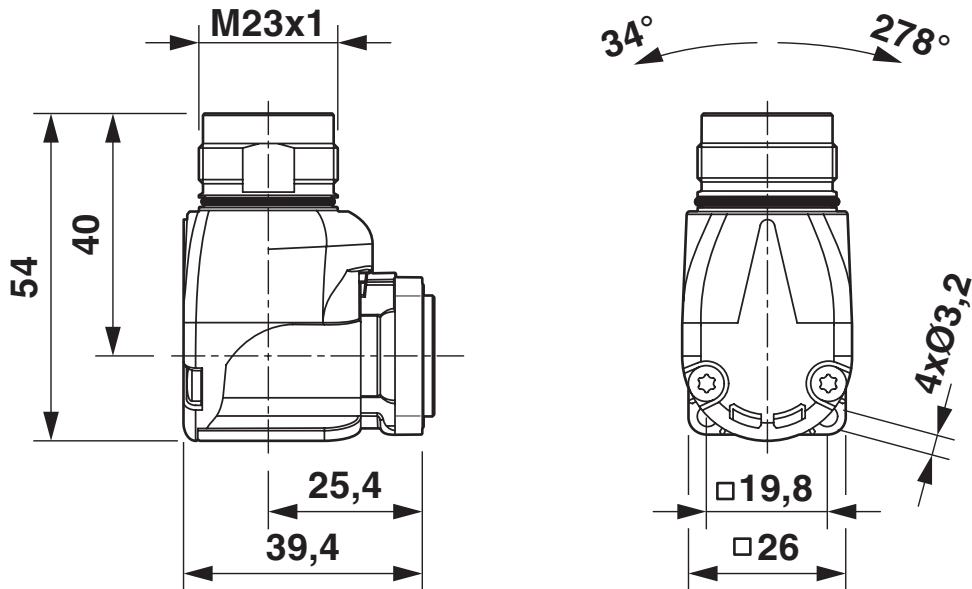


1607257

<https://www.phoenixcontact.com/us/products/1607257>

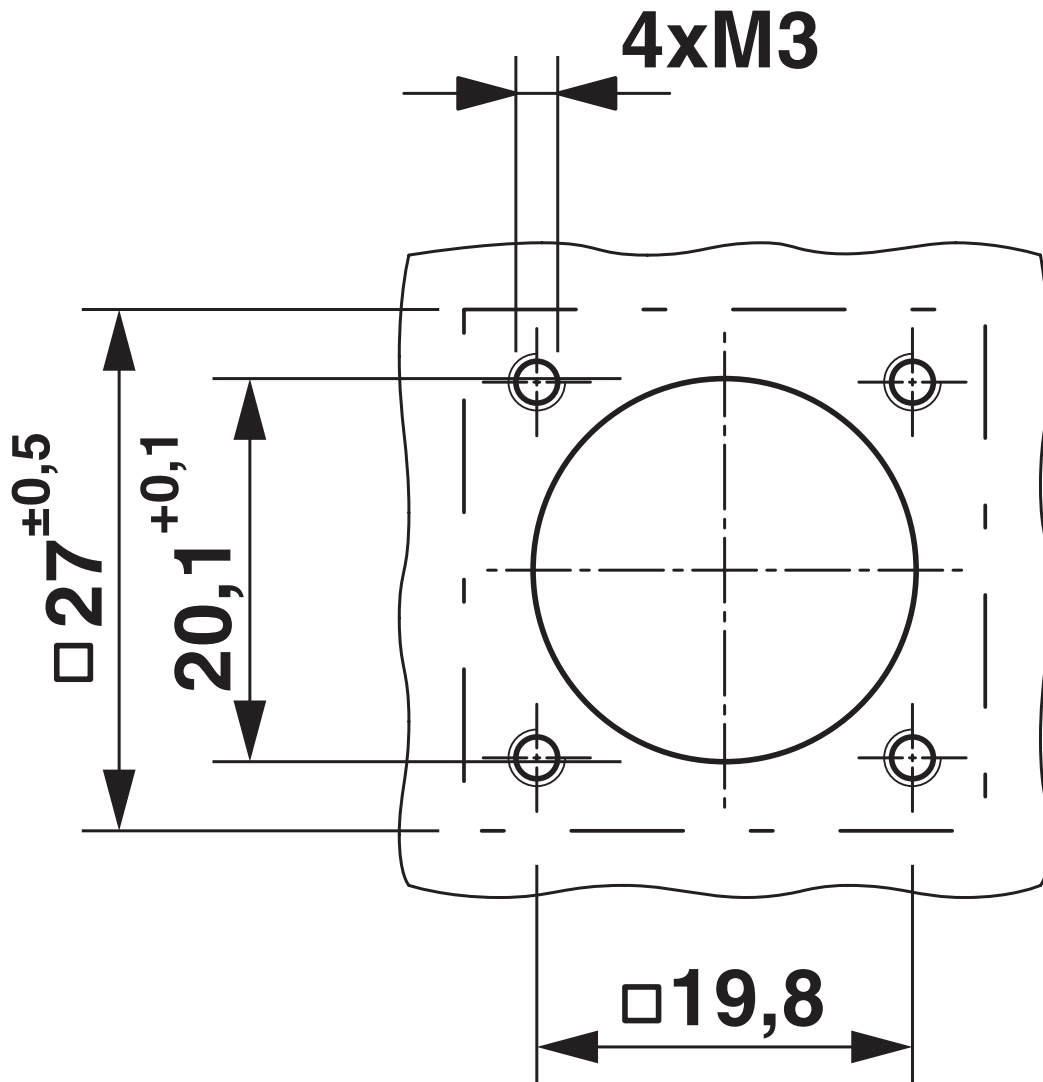
## Drawings

Dimensional drawing



Dimensional drawing

Dimensional drawing

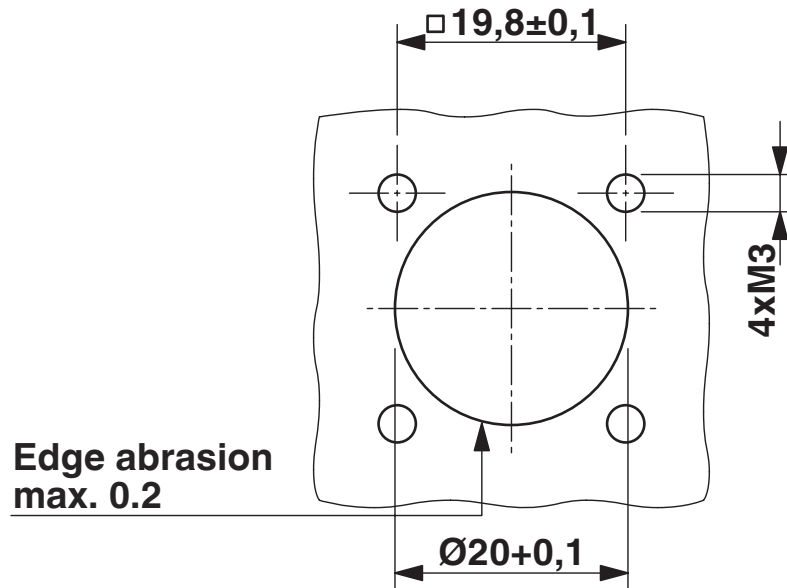


Installation dimensions

1607257

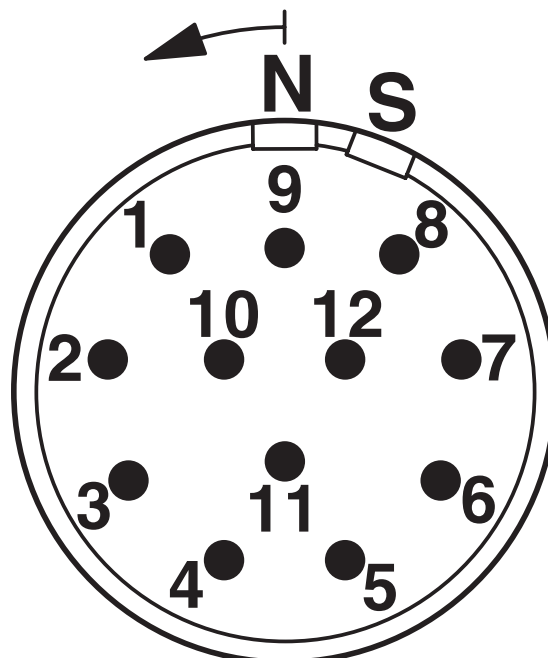
<https://www.phoenixcontact.com/us/products/1607257>

Dimensional drawing



Installation dimensions

Schematic diagram



Contact chamber numbering (view of plug-in side), pin counter direction

# RF-12P2N8AAD00 - Device connector front mounting





1607257

<https://www.phoenixcontact.com/us/products/1607257>

## Approvals

To download certificates, visit the product detail page: <https://www.phoenixcontact.com/us/products/1607257>

 <b>cUL Recognized</b> Approval ID: E153698-20090723				
	Nominal voltage $U_N$	Nominal current $I_N$	Cross section AWG	Cross section $\text{mm}^2$
keine				
	48 V	5 A	20	-

 <b>UL Recognized</b> Approval ID: E153698-20090723				
	Nominal voltage $U_N$	Nominal current $I_N$	Cross section AWG	Cross section $\text{mm}^2$
keine				
	48 V	5 A	20	-

1607257

<https://www.phoenixcontact.com/us/products/1607257>

## Classifications

### ECLASS

ECLASS-13.0	27440109
ECLASS-15.0	27440109

### ETIM

ETIM 10.0	EC003569
-----------	----------

### UNSPSC

UNSPSC 21.0	39121400
-------------	----------

# RF-12P2N8AAD00 - Device connector front mounting



1607257

<https://www.phoenixcontact.com/us/products/1607257>

## Environmental product compliance

### EU RoHS

Fulfills EU RoHS substance requirements	Yes, No exemptions
---	--------------------

### China RoHS

Environment friendly use period (EFUP)	EFUP-E
	No hazardous substances above the limits

### EU REACH SVHC

REACH candidate substance (CAS No.)	No substance above 0.1 wt%
-------------------------------------	----------------------------

Phoenix Contact 2026 © - all rights reserved  
<https://www.phoenixcontact.com>

Phoenix Contact USA  
586 Fulling Mill Road  
Middletown, PA 17057, United States  
(+717) 944-1300  
[info@phoenixcon.com](mailto:info@phoenixcon.com)