

RF-12P2N8A9002 - Coupler connector



1607253

<https://www.phoenixcontact.com/us/products/1607253>

Please be informed that the data shown in this PDF document is generated from our online catalog. Please find the complete data in the user documentation. Our general terms of use for downloads are valid.



The figure shows the product version with standard contact chamber numbering

Coupler connector, application: Feedback, signal, straight, Screw locking mechanism, M23, number of positions: 12, contact connection type: Pin, shielded: yes, cable diameter range: 6 mm ... 10 mm, number of positions: 12, connection method: Crimp connection, series: RF

Commercial data

| | |
|--------------------------------------|--------------------------------|
| Item number | 1607253 |
| Packing unit | 1 pc |
| Note | Made to order (non-returnable) |
| Sales key | AB33 |
| Product key | ABRAGG |
| GTIN | 4046356268189 |
| Weight per piece (including packing) | 96.885 g |
| Weight per piece (excluding packing) | 30.34 g |
| Customs tariff number | 85366990 |
| Country of origin | DE |

RF-12P2N8A9002 - Coupler connector



1607253

<https://www.phoenixcontact.com/us/products/1607253>

Technical data

Notes

| | |
|--------------------|--|
| Order information: | Order crimp contacts Ø 1 mm separately |
|--------------------|--|

Product properties

| | |
|---------------------|---------------------------------|
| Product type | Circular connector (cable-side) |
| Series | RF |
| Application | Feedback, signal Signal |
| Number of positions | 12 |
| Connection profile | 12 |
| Shielded | yes |
| Coding | N |
| Thread type | M23 |

Material specifications

| | |
|----------------------------|--|
| Seal material | FPM |
| Housing material | Metal |
| Housing material | Turned parts: copper zinc alloy (CuZn), die-cast parts: zinc (GD-Zn) |
| Insulator material | PA 6.6 |
| Gasket and O-ring material | FPM |

Connection data

Conductor connection

| | |
|-------------------|------------------|
| Connection method | Crimp connection |
|-------------------|------------------|

Electrical properties

Contact

| | |
|-----------------------|--------------------|
| Contact diameter | 1 mm |
| Nominal current I_N | 8 A |
| Nominal voltage U_N | 48 V AC 74 V DC |
| Overvoltage category | III |
| Degree of pollution | 3 |
| Rated surge voltage | 1.5 kV |

Connector

| | |
|-----------------------|-------------------|
| Type | straight |
| Direction of rotation | Counter direction |

Cable/line

RF-12P2N8A9002 - Coupler connector



1607253

<https://www.phoenixcontact.com/us/products/1607253>

| | |
|-------------------------|----------------|
| External cable diameter | 6 mm ... 10 mm |
|-------------------------|----------------|

Environmental and real-life conditions

Ambient conditions

| | |
|---------------------------------|-------------------|
| Degree of protection | IP67 |
| Ambient temperature (operation) | -40 °C ... 125 °C |
| Altitude | 2000 m |

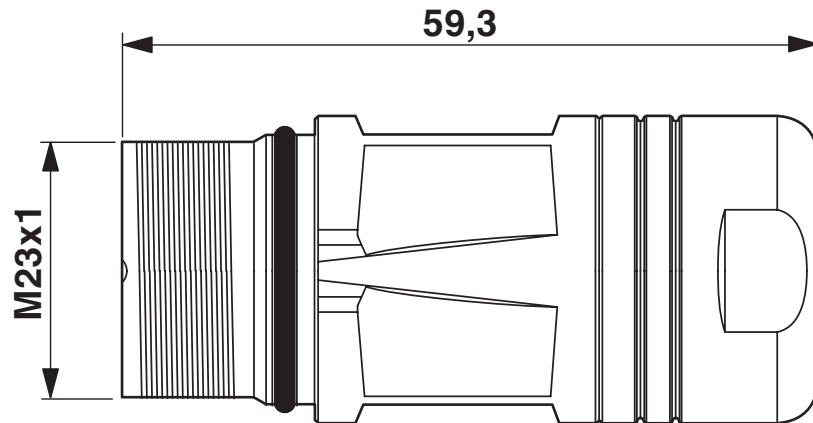
RF-12P2N8A9002 - Coupler connector

1607253

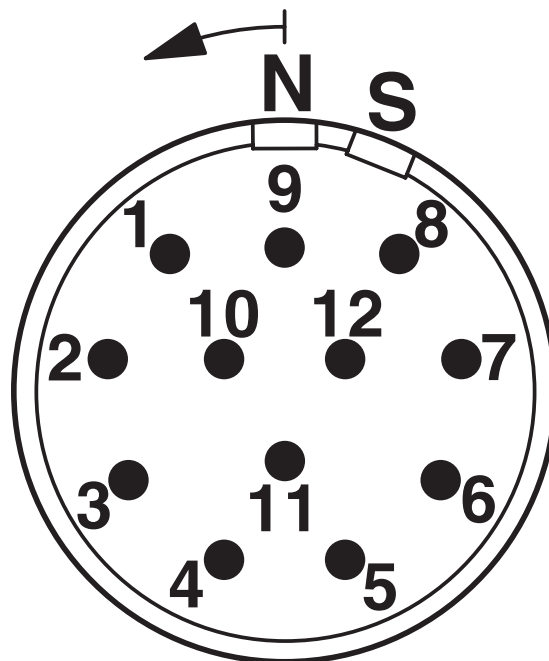
<https://www.phoenixcontact.com/us/products/1607253>

Drawings

Dimensional drawing



Schematic diagram



RF-12P2N8A9002 - Coupler connector



1607253

<https://www.phoenixcontact.com/us/products/1607253>

Classifications

UNSPSC

| | |
|-------------|----------|
| UNSPSC 21.0 | 39121413 |
|-------------|----------|

RF-12P2N8A9002 - Coupler connector



1607253

<https://www.phoenixcontact.com/us/products/1607253>

Environmental product compliance

EU RoHS

| | |
|---|------|
| Fulfills EU RoHS substance requirements | Yes |
| Exemption | 6(c) |

China RoHS

| | |
|--|---|
| Environment friendly use period (EFUP) | EFUP-50 |
| | An article-related China RoHS declaration table can be found in the download area for the respective article under "Manufacturer declaration". For all articles with EFUP-E, no China RoHS declaration table issued and required. |

EU REACH SVHC

| | |
|-------------------------------------|----------------------------|
| REACH candidate substance (CAS No.) | No substance above 0.1 wt% |
|-------------------------------------|----------------------------|

Phoenix Contact 2026 © - all rights reserved
<https://www.phoenixcontact.com>

Phoenix Contact USA
586 Fulling Mill Road
Middletown, PA 17057, United States
(+717) 944-1300
info@phoenixcon.com