

# RC-12S1NA20000 - Contact insert



1607008

<https://www.phoenixcontact.com/us/products/1607008>

Please be informed that the data shown in this PDF document is generated from our online catalog. Please find the complete data in the user documentation. Our general terms of use for downloads are valid.



Contact insert, M23, number of positions: 12, contact connection type: Socket, Solder-in connection, series: RC, TU, this item is expected to be lead-free from Q2 2026 in accordance with RoHS II without exception 6c (Pb < 0.1%), a lead-free alternative is possible on request in advance

## Commercial data

Item number	1607008
Packing unit	10 pc
Minimum order quantity	1 pc
Sales key	AB31
Product key	ABRAFU
GTIN	4046356225526
Weight per piece (including packing)	10.13 g
Weight per piece (excluding packing)	6.18 g
Customs tariff number	85366990
Country of origin	DE

# RC-12S1NA20000 - Contact insert



1607008

<https://www.phoenixcontact.com/us/products/1607008>

## Technical data

### Product properties

Product type	Contact insert
Series	RC
	TU
Application	Signal
Number of positions	12
Connection profile	12
No. of control contacts	12
Coding	N
Thread type	M23

### Electrical properties

Contact: Contact group 1

Contact diameter	1 mm
Nominal current $I_N$	8 A (for max. connection cross section)
Nominal voltage $U_N$	48 V AC
	74 V DC
Overvoltage category	III
Degree of pollution	3
Rated surge voltage	1.5 kV

### Connection data

Connection method	Solder-in connection
-------------------	----------------------

### Material specifications

Material Insulating body	PBT
Material Contact	CuZn
Material Contact surface	Ni/Au

### Connector

Direction of rotation	Standard
-----------------------	----------

### Mechanical properties

Mechanical data

Insertion/withdrawal cycles	50
-----------------------------	----

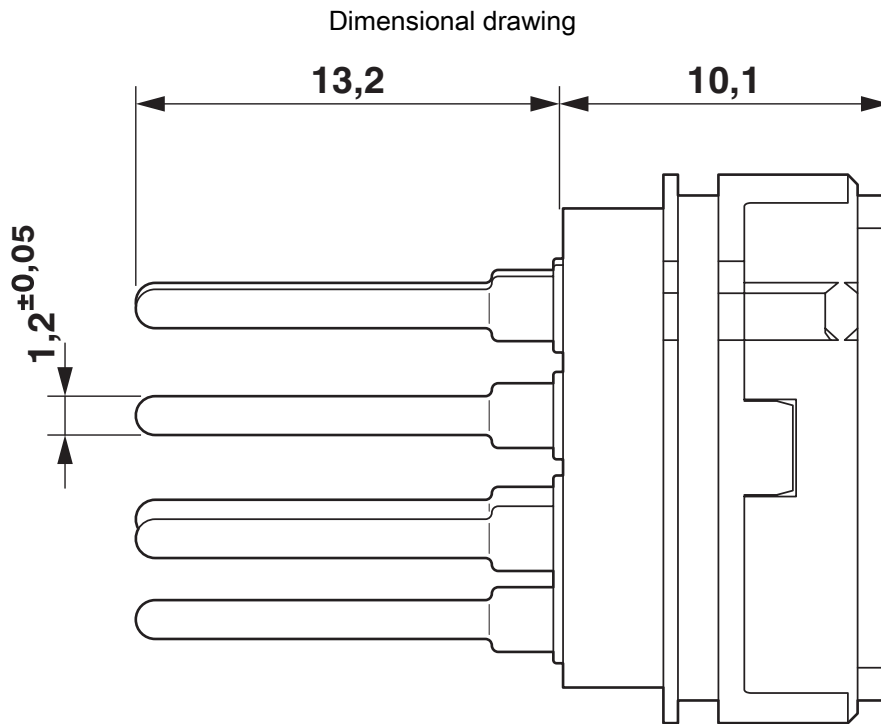
# RC-12S1NA20000 - Contact insert



1607008

<https://www.phoenixcontact.com/us/products/1607008>

## Drawings



Dimensional drawing

# RC-12S1NA20000 - Contact insert

1607008

<https://www.phoenixcontact.com/us/products/1607008>

Schematic diagram



Connector pin assignment

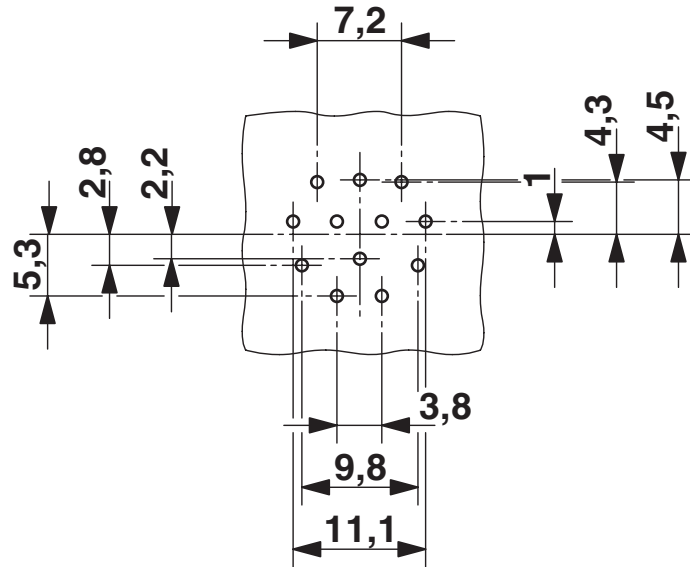
# RC-12S1NA20000 - Contact insert

1607008

<https://www.phoenixcontact.com/us/products/1607008>



Drilling plan/solder pad geometry



# RC-12S1NA20000 - Contact insert



1607008

<https://www.phoenixcontact.com/us/products/1607008>

## Classifications

### ECLASS

ECLASS-13.0	27440223
ECLASS-15.0	27440223

### ETIM

ETIM 10.0	EC003557
-----------	----------

### UNSPSC

UNSPSC 21.0	39121400
-------------	----------

# RC-12S1NA20000 - Contact insert



1607008

<https://www.phoenixcontact.com/us/products/1607008>

## Environmental product compliance

### EU RoHS

Fulfills EU RoHS substance requirements	Yes
Exemption	6(c)

### China RoHS

Environment friendly use period (EFUP)	EFUP-50
	An article-related China RoHS declaration table can be found in the download area for the respective article under "Manufacturer declaration". For all articles with EFUP-E, no China RoHS declaration table issued and required.

### EU REACH SVHC

REACH candidate substance (CAS No.)	Lead(CAS: 7439-92-1)
SCIP	a13946a0-1722-4ea8-bdf4-b371cf43d6e6

Phoenix Contact 2026 © - all rights reserved

<https://www.phoenixcontact.com>

Phoenix Contact USA  
586 Fulling Mill Road  
Middletown, PA 17057, United States  
(+717) 944-1300  
[info@phoenixcon.com](mailto:info@phoenixcon.com)