

UC-1RS1NRAQ0DU - Rear panel feed-through



1606733

<https://www.phoenixcontact.com/us/products/1606733>

Please be informed that the data shown in this PDF document is generated from our online catalog. Please find the complete data in the user documentation. Our general terms of use for downloads are valid.



M23, Rear panel feed-through, application: Signal, series: UC, straight, shielded: yes, Screw locking mechanism, No. of pos.: 16+2+FE, Direction of rotation: Standard, contact connection type: Socket, Crimp connection, Axial O-ring, coding: N

The figure shows the 12-pos.
product version

Commercial data

Item number	1606733
Packing unit	10 pc
Minimum order quantity	1 pc
Note	Made to order (non-returnable)
Product key	ABRAIJ
GTIN	4046356261531
Weight per piece (including packing)	119.5 g
Weight per piece (excluding packing)	119.5 g
Country of origin	DE

UC-1RS1NRAQ0DU - Rear panel feed-through



1606733

<https://www.phoenixcontact.com/us/products/1606733>

Technical data

Product properties

Product type	Circular connector (cable-side)
--------------	---------------------------------

Connector

Insulating body

Note	Order information: Order crimp contacts 16 x Ø 1 mm, 2 x Ø 1.5 mm, 1 x Ø 1.5 (PE) separately
Coding	N
Material (Insulating body)	PA 6.6
Connection method	Crimp connection
Contact switching type	Socket
Application	Signal
Number of positions	19
Direction of rotation	Standard
Connection profile	16+2+FE
Number (Contact group 1)	3
Contact diameter (Contact group 1)	1.5 mm
Rated current Contact (Contact group 1)	10 A (for max. connection cross section)
Rated voltage Contact (Contact group 1)	48 V AC 74 V DC
Rated surge voltage	1.5 kV
Overvoltage category	II
Degree of pollution	3
Number (Contact group 2)	16
Contact diameter (Contact group 2)	1 mm
Litz wires Max. cross section (Contact group 2)	1 mm ²
Rated current Contact (Contact group 2)	8 A
Overvoltage category	II
Degree of pollution	3

Housing

Type	Feed-through header
Thread type	M23
Design	straight
Type of locking	Screw locking mechanism
Pg screw connection	none
Mounting type	Rear mounting
Assembly note	Central fastening
Material (Housing)	GD-Zn
Material (Rotating parts)	CuZn
Material (Housing surface)	Ni

UC-1RS1NRAQ0DU - Rear panel feed-through



1606733

<https://www.phoenixcontact.com/us/products/1606733>

Material (Seal)	FPM (O-ring)
Degree of protection (plugged in)	IP67
Seal for the device	Axial O-ring

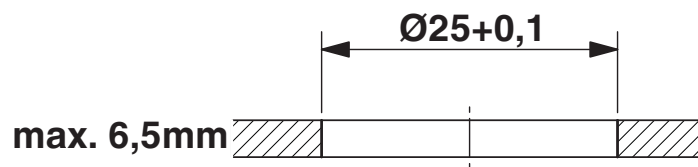
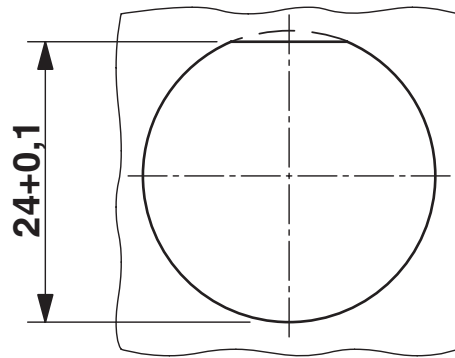
UC-1RS1NRAQ0DU - Rear panel feed-through

1606733

<https://www.phoenixcontact.com/us/products/1606733>

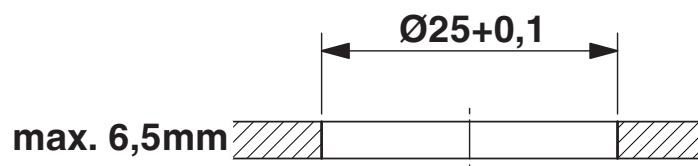
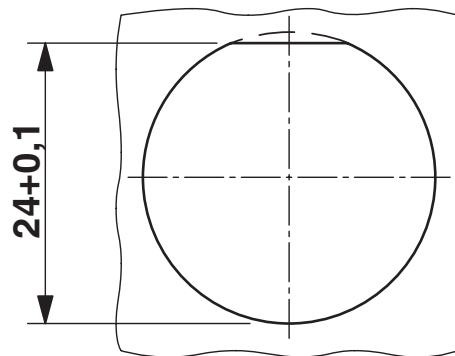
Drawings

Dimensional drawing



Installation dimensions

Dimensional drawing



Installation dimensions

Schematic diagram



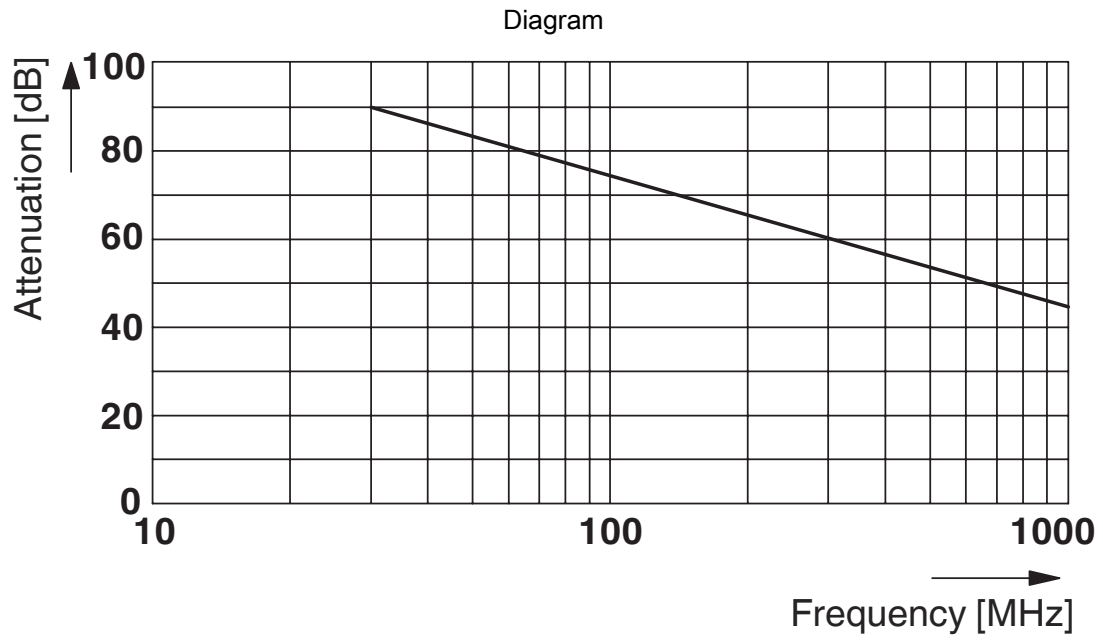
Connector pin assignment

UC-1RS1NRAQ0DU - Rear panel feed-through



1606733

<https://www.phoenixcontact.com/us/products/1606733>



UC-1RS1NRAQ0DU - Rear panel feed-through



1606733

<https://www.phoenixcontact.com/us/products/1606733>

Classifications

UNSPSC

UNSPSC 21.0	39121413
-------------	----------

UC-1RS1NRAQ0DU - Rear panel feed-through



1606733

<https://www.phoenixcontact.com/us/products/1606733>

Environmental product compliance

EU RoHS

Fulfills EU RoHS substance requirements	Yes
Exemption	6(c)

China RoHS

Environment friendly use period (EFUP)	EFUP-50
	An article-related China RoHS declaration table can be found in the download area for the respective article under "Manufacturer declaration". For all articles with EFUP-E, no China RoHS declaration table issued and required.

EU REACH SVHC

REACH candidate substance (CAS No.)	No substance above 0.1 wt%
-------------------------------------	----------------------------

Phoenix Contact 2026 © - all rights reserved
<https://www.phoenixcontact.com>

Phoenix Contact USA
586 Fulling Mill Road
Middletown, PA 17057, United States
(+717) 944-1300
info@phoenixcon.com